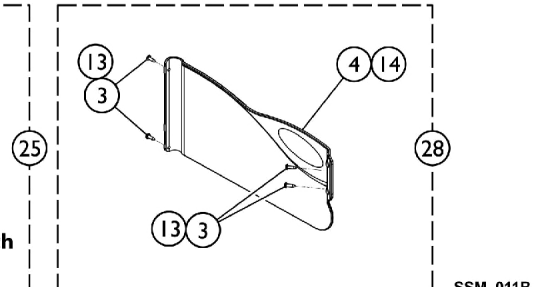
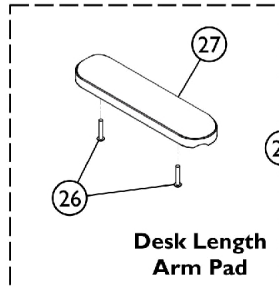
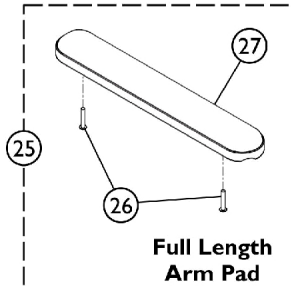
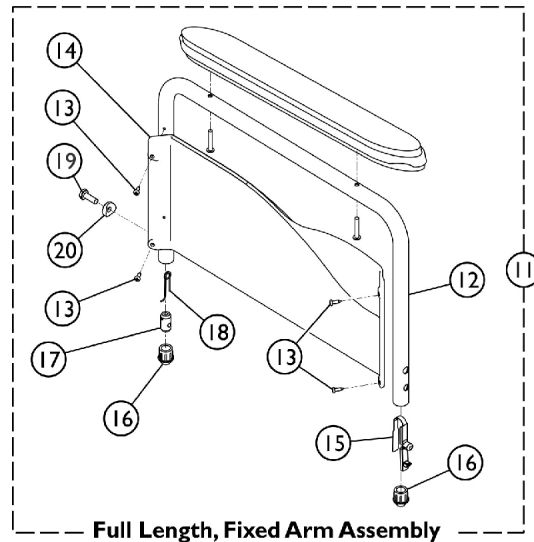
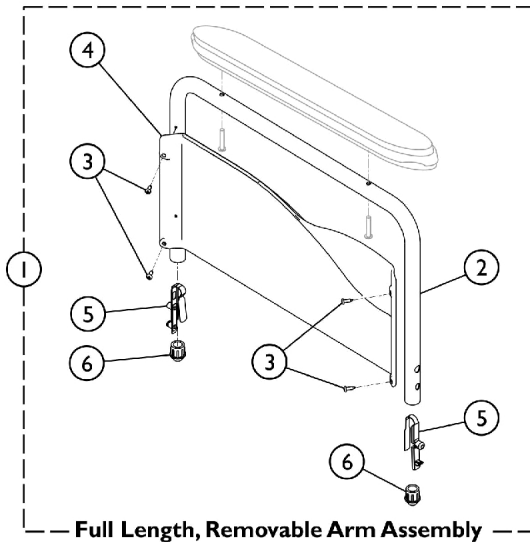
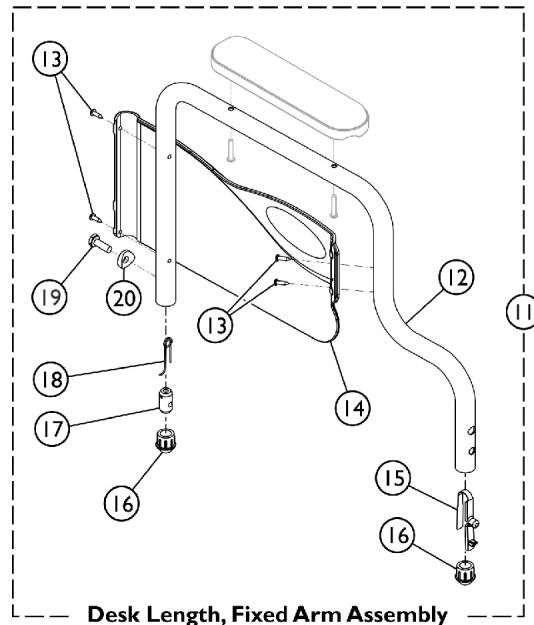
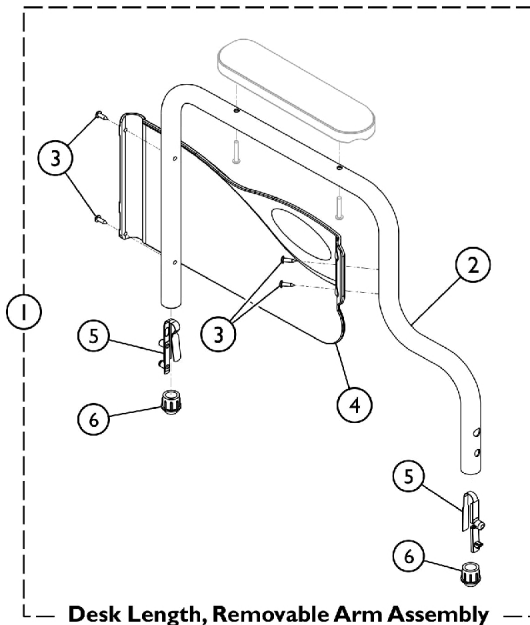


Conventional Fixed Height - Color Finish



Conventional Fixed Height - Color Finish

Item Number	Note	Part Number	Description	Quantity Per	
				Package	Assembly
1	A,D	8881182013	Kit, Armrest, Fixed, Removable, Full Length, Color - Right (Style 18)	1	1
2			Armrest, Full Length, Color - Right	1	1
3			Screw, Self Tapping (#6-20 x 1/2")	1	4
4			Guard, Clothing, Full Length - Right	1	1
5			Spring, Torsion w/ Button Lock	1	2
6			Plug, Armrest, Black (3/4") (18GA)	1	2
1	A,D	8881182014	Kit, Armrest, Fixed, Removable, Full Length, Color - Left (Style 18)	1	1
2			Armrest, Full Length, Color - Left	1	1
3			Screw, Self Tapping (#6-20 x 1/2")	1	4
4			Guard, Clothing, Full Length - Left	1	1
5			Spring, Torsion w/ Button Lock	1	2
6			Plug, Armrest, Black (3/4") (18GA)	1	2
1	A,D	8881182121	Kit, Armrest, Fixed, Removable, Desk Length, Color - Right (Style 28)	1	1
2			Armrest, Desk Length, Color - Right	1	1
3			Screw, Self Tapping (#6-20 x 1/2")	1	4
4			NLA - Guard, Clothing, Desk Length - Right	1	1
5			Spring, Torsion w/ Button Lock	1	2
6			Plug, Armrest, Black (3/4") (18GA)	1	2
1	A,D	8881182122	Kit, Armrest, Fixed, Removable, Desk Length, Color - Left (Style 28)	1	1
2			Armrest, Desk Length, Color - Left	1	1
3			Screw, Self Tapping (#6-20 x 1/2")	1	4
4			NLA - Guard, Clothing, Desk Length - Left	1	1
5			Spring, Torsion w/ Button Lock	1	2
6			Plug, Armrest, Black (3/4") (18GA)	1	2
11	B,D	8881180820	Kit, Armrest, Fixed, Non-removable, Full Length, Color - Right	1	1
12			Armrest, Full Length, Color - Right	1	1
13			Screw, Self Tapping (#6-20 x 1/2")	1	4
14			Guard, Clothing, Full Length - Right	1	1
15			Spring, Torsion w/ Button Lock	1	1
16			Plug, Armrest, Black (3/4") (18GA)	1	2
17			Insert, Threaded	1	1
18			Spring, Release	1	1
19			NLA - Bolt, Hex Head Cap (1/4-20 x 3/4")	1	1
20			Spacer, Coved (1/4 x 11/16 x 1/2")	1	1
11	B,D	8881180821	Kit, Armrest, Fixed, Non-removable, Full Length, Color - Left	1	1
12			Armrest, Full Length, Color - Left	1	1
13			Screw, Self Tapping (#6-20 x 1/2")	1	4
14			Guard, Clothing, Full Length - Left	1	1
15			Spring, Torsion w/ Button Lock	1	1
16			Plug, Armrest, Black (3/4") (18GA)	1	2
17			Insert, Threaded	1	1
18			Spring, Release	1	1

Conventional Fixed Height - Color Finish

Item Number	Note	Part Number	Description	Quantity Per	
				Package	Assembly
19			NLA - Bolt, Hex Head Cap (1/4-20 x 3/4")	1	1
20			Spacer, Coved (1/4 x 11/16 x 1/2")	1	1
11	B,D	8881122715	Kit, Armrest, Fixed, Non-removable, Desk Length, Color - Right	1	1
12			Armrest, Desk Length, Color - Right	1	1
13			Screw, Self Tapping (#6-20 x 1/2")	1	4
14			Guard, Clothing, Desk Length - Right	1	1
15			Spring, Torsion w/ Button Lock	1	1
16			Plug, Armrest, Black (3/4") (18GA)	1	2
17			Insert, Threaded	1	1
18			Spring, Release	1	1
19			NLA - Bolt, Hex Head Cap (1/4-20 x 3/4")	1	1
20			Spacer, Coved (1/4 x 11/16 x 1/2")	1	1
11	B,D	8881122716	Kit, Armrest, Fixed, Non-removable, Desk Length, Color - Left	1	1
12			Armrest, Desk Length, Color - Left	1	1
13			Screw, Self Tapping (#6-20 x 1/2")	1	4
14			Guard, Clothing, Desk Length - Left	1	1
15			Spring, Torsion w/ Button Lock	1	1
16			Plug, Armrest, Black (3/4") (18GA)	1	2
17			Insert, Threaded	1	1
18			Spring, Release	1	1
19			NLA - Bolt, Hex Head Cap (1/4-20 x 3/4")	1	1
20			Spacer, Coved (1/4 x 11/16 x 1/2")	1	1
25	C	8881127509	Kit, Arm Pad w/Screws - Full Length	1	1
26			Package, Screw Phillips Pan Head (#10-32 x 1-1/8")	2	1
27			NLA - Pad, Arm, Full Length w/ Law Label	1	1
25	C	8881127510	Kit, Arm Pad w/Screws - Desk Length	1	1
26			Package, Screw Phillips Pan Head (#10-32 x 1-1/8")	2	1
27			Arm Pad, Desk Length w/ Law Label	1	1
28	E	1117365	Kit, Clothing Guard, Conventional, Desk Length w/ Screws and Decals (Pair)	1	1
28	E	1117366	Kit, Clothing Guards - Conventional, Full Length w/ Screws & Decals	1	1

NOTE: A - Includes items 2-6.
 B - Includes items 12-20.
 C - Includes items 26 and 27. Specify upholstery color when ordering, see category titled "Frame Finishes, Packaging, Literature and Upholstery".
 D - Specify 71P Silver Vein when ordering.
 E - Kit includes Clothing Guards and Mounting Hardware.