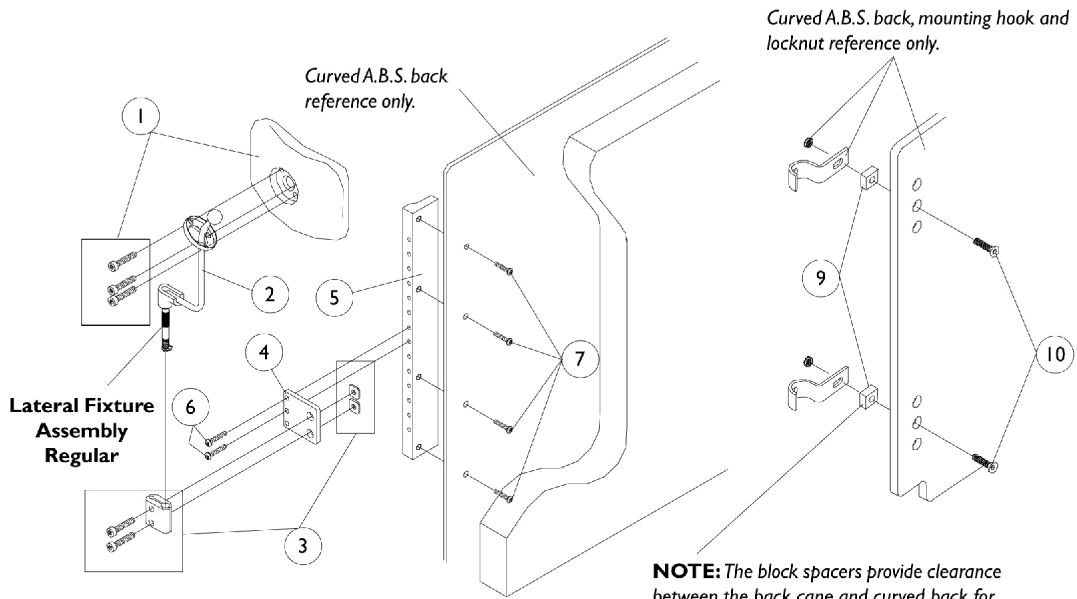


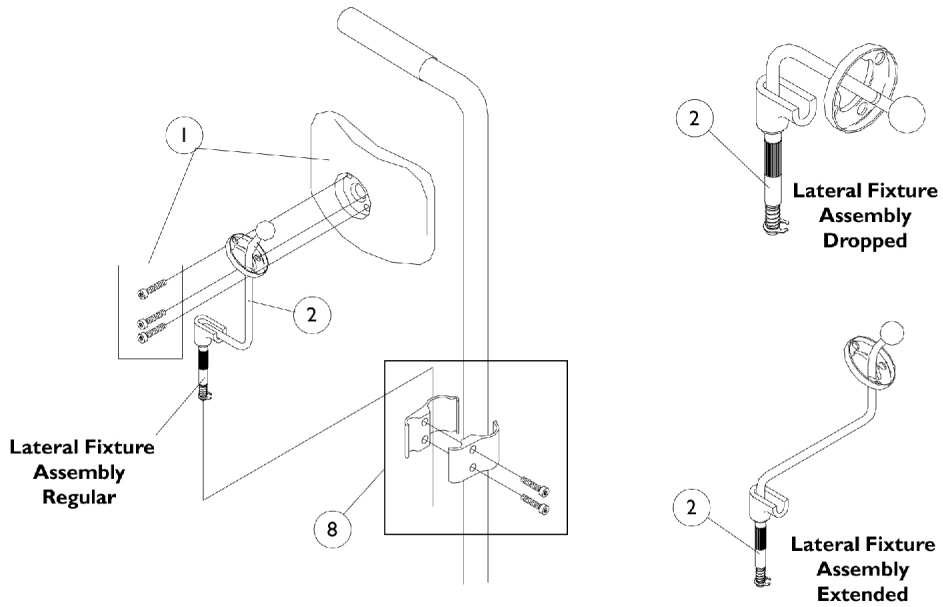
Lateral Support Assembly

Otto Bock

Basic Tilt and Tilt Only



NOTE: The block spacers provide clearance between the back cane and curved back for assembling the laterals to the multi-bar.



Lateral Support Assembly

Otto Bock

Basic Tilt and Tilt Only

Item Number	Note	Part Number	Description	Quantity Per	
				Package	Assembly
1		0023700-NLA	NLA - Pad Assembly, O.B. Lateral - Small (4-1/2" W x 3" H)	1	1
1		0024800-NLA	NLA - Pad Assembly, O.B. Lateral - Medium (5-1/4" W x 3-1/2" H)	1	1
1		0024700-NLA	NLA - Pad Assembly, O.B. Lateral - Large (7" W x 4-1/2" H)	1	1
2		0024200-NLA	NLA - Fixture Assembly, O.B. Lateral, Regular, Right	1	1
2		0024100	Fixture Assembly, O.B. Lateral, Regular, Left	1	1
2		0024400-NLA	NLA - Fixture Assembly, O.B. Lateral, Extended, Right	1	1
2		0024300-NLA	NLA - Fixture Assembly, O.B. Lateral, Extended, Left	1	1
2		0024600-NLA	NLA - Fixture Assembly, O.B. Lateral, Dropped, Right	1	1
2		0024500-NLA	NLA - Fixture Assembly, O.B. Lateral, Dropped - Left	1	1
3		0024000-NLA	NLA - Clamp Assembly, Flat	1	1
4		0260702-NLA	NLA - Plate, Adapter (5/8" Spacing)	1	1
4		0063602-NLA	NLA - Adapter, Plate (3/4" Spacing)	1	1
5		0260522-NLA	NLA - Bar, Multi-Attachment, A.B.S. Curved Back, 5/8" Spacing	1	1
5		0063522-NLA	NLA - Bar, Multi-Attachment, A.B.S. Curved Back, 3/4" Spacing	1	1
6		0139306-NLA	NLA - Screw, Socket Button Head (#10-32 x 3/4")	1	2
7		0052906-NLA	NLA - Screw, Socket Button Head (1/4-20 x 3/4")	1	4
8		0023800-NLA	NLA - Clamp Assembly, 3/4" Diameter Cane	1	1
8		0023900-NLA	NLA - Clamp Assembly, 7/8" Diameter Cane	1	1
9		0159402	Spacer, Block (1 x 3/4 x 1/2")	1	4
10		0050806-NLA	NLA - Screw, Socket Flat Head (1/4-20 x 1-1/2)	1	4