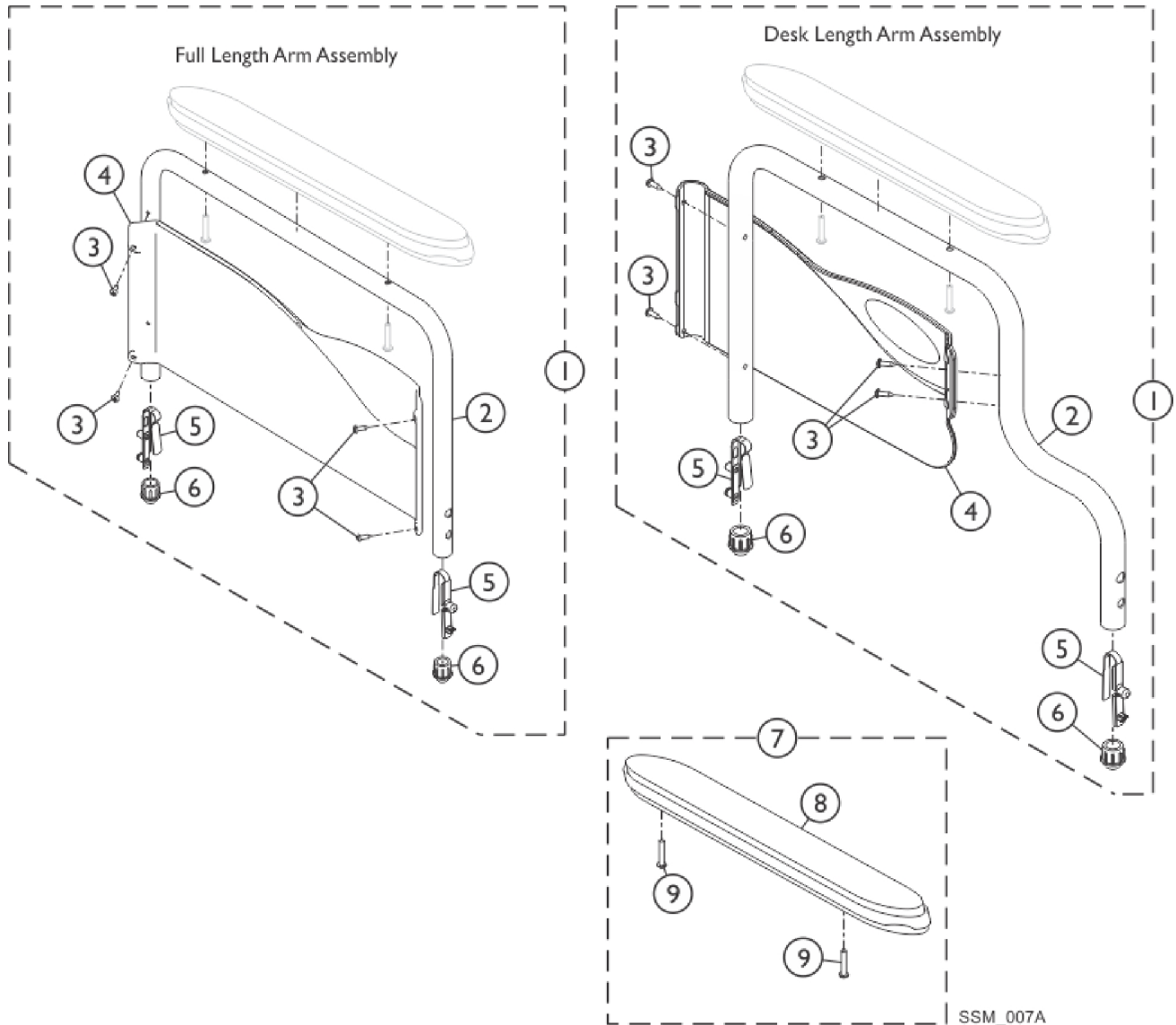


# Conventional Fixed Height Arm Assembly - Color Finish - EXI/EX2



## Conventional Fixed Height Arm Assembly - Color Finish - EXI/EX2

Item Number	Note	Part Number	Description	Quantity Per	
				Package	Assembly
1	A	8881182121	Kit, Armrest, Fixed, Removable, Desk Length, Color - Right (Style 28)	1	1
2			Armrest, Desk Length, Color - Right	1	1
3			Screw, Self Tapping (#6-20 x 1/2")	1	4
4			NLA - Guard, Clothing, Desk Length - Right	1	1
5			Spring, Torsion w/ Button Lock	1	2
6			Plug, Armrest, Black (3/4") (18GA)	1	2
1	A	8881182122	Kit, Armrest, Fixed, Removable, Desk Length, Color - Left (Style 28)	1	1
2			Armrest, Desk Length, Color - Left	1	1
3			Screw, Self Tapping (#6-20 x 1/2")	1	4
4			NLA - Guard, Clothing, Desk Length - Left	1	1
5			Spring, Torsion w/ Button Lock	1	2
6			Plug, Armrest, Black (3/4") (18GA)	1	2
1	A	8881182013	Kit, Armrest, Fixed, Removable, Full Length, Color - Right (Style 18)	1	1
2			Armrest, Full Length, Color - Right	1	1
3			Screw, Self Tapping (#6-20 x 1/2")	1	4
4			Guard, Clothing, Full Length - Right	1	1
5			Spring, Torsion w/ Button Lock	1	2
6			Plug, Armrest, Black (3/4") (18GA)	1	2
1	A	8881182014	Kit, Armrest, Fixed, Removable, Full Length, Color - Left (Style 18)	1	1
2			Armrest, Full Length, Color - Left	1	1
3			Screw, Self Tapping (#6-20 x 1/2")	1	4
4			Guard, Clothing, Full Length - Left	1	1
5			Spring, Torsion w/ Button Lock	1	2
6			Plug, Armrest, Black (3/4") (18GA)	1	2
7	B	8881127510	Kit, Arm Pad w/Screws - Desk Length	1	1
8			NLA - Arm Pad, Desk Length w/ Law Label	1	1
9			Package, Screw Phillips Pan Head (#10-32 x 1-1/8")	1	2
7	B	8881127509	Kit, Arm Pad w/Screws - Full Length	1	1
8			Package, Screw Phillips Pan Head (#10-32 x 1-1/8")	1	1
9			NLA - Pad, Arm, Full Length w/ Law Label	1	1

NOTE: A - Includes items 2-6. Specify 71P Silver Vein frame finish when ordering.  
B - Includes items 8 and 9. Specify upholstery color when ordering, see category titled "Upholstery Colors and Frame Finishes".