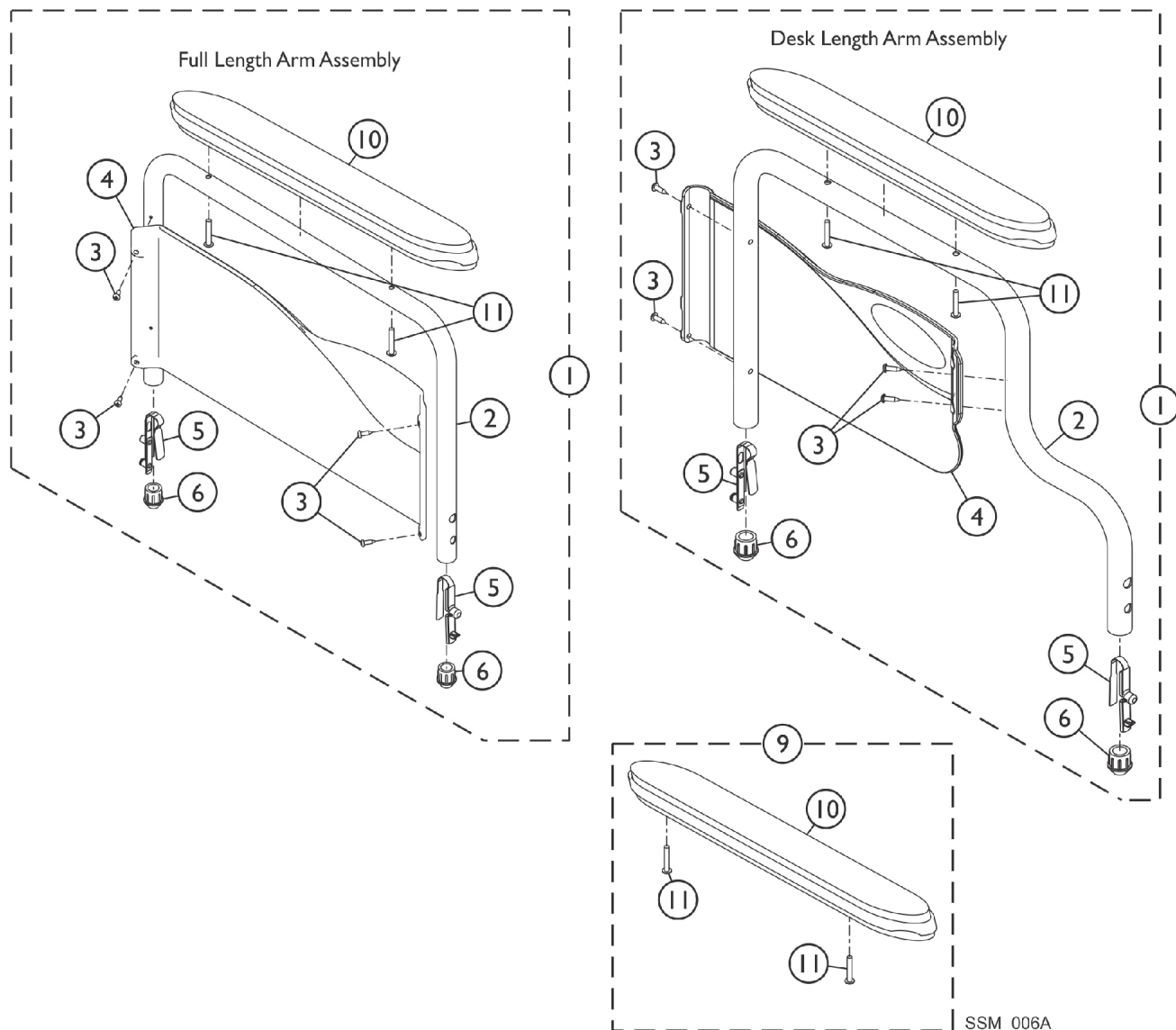


Conventional Fixed Height Arm Assembly - Black Finishes - EXI/EX2



SSM_006A

Conventional Fixed Height Arm Assembly - Black Finishes - EXI/EX2

Item Number	Note	Part Number	Description	Quantity Per	
				Package	Assembly
1	A,H,I	8881127565	Kit, Armrest, Desk Length, Black - Right (Style 28)	1	1
2			Armrest, Desk Length, Black - Right	1	1
3			Screw, Self Tapping (#6-20 x 1/2")	1	4
4			NLA - Guard, Clothing, Desk Length - Right	1	1
5			Spring, Torsion w/ Button Lock	1	2
6			Plug, Armrest, Black (3/4") (18GA)	1	2
10			NLA - Arm Pad, Desk Length w/ Law Label	1	1
11			Package, Screw Phillips Pan Head (#10-32 x 1-1/8")	1	2
1	A,H,I	8881127563	Kit, Armrest, Desk Length, Black - Left (Style 28)	1	1
2			Armrest, Desk Length, Black- Left	1	1
3			Screw, Self Tapping (#6-20 x 1/2")	1	4
4			NLA - Guard, Clothing, Desk Length - Left	1	1
5			Spring, Torsion w/ Button Lock	1	2
6			Plug, Armrest, Black (3/4") (18GA)	1	2
10			NLA - Arm Pad, Desk Length w/ Law Label	1	1
11			Package, Screw Phillips Pan Head (#10-32 x 1-1/8")	1	2
1	A,H,I	8881127569	Kit, Armrest, Full Length, Black - Right (Style 18)	1	1
2			Armrest, Full Length, Black - Right	1	1
3			Screw, Self Tapping (#6-20 x 1/2")	1	4
4			Guard, Clothing, Full Length - Right	1	1
5			Spring, Torsion w/ Button Lock	1	2
6			Plug, Armrest, Black (3/4") (18GA)	1	2
10			NLA - Pad, Arm, Full Length w/ Law Label	1	1
11			Package, Screw Phillips Pan Head (#10-32 x 1-1/8")	1	2
1	A,H,I	8881127567	Kit, Armrest, Full Length, Black - Left (Style 18)	1	1
2			Armrest, Full Length, Black - Left	1	1
3			Screw, Self Tapping (#6-20 x 1/2")	1	4
4			Guard, Clothing, Full Length - Left	1	1
5			Spring, Torsion w/ Button Lock	1	2
6			Plug, Armrest, Black (3/4") (18GA)	1	2
10			NLA - Pad, Arm, Full Length w/ Law Label	1	1
11			Package, Screw Phillips Pan Head (#10-32 x 1-1/8")	1	2
9	B	8881127510	Kit, Arm Pad w/Screws - Desk Length	1	1
10			NLA - Arm Pad, Desk Length w/ Law Label	1	1
11			Package, Screw Phillips Pan Head (#10-32 x 1-1/8")	1	2
9	B	8881127509	Kit, Arm Pad w/Screws - Full Length	1	1
10			NLA - Pad, Arm, Full Length w/ Law Label	1	1
11			Package, Screw Phillips Pan Head (#10-32 x 1-1/8")	1	2
	C	1041061	Pad, Arm, Upper/Lower, Black Plastic, Full Length	1	1
	C	1041062	Pad, Arm, Upper/Lower, Black Plastic, Desk Length	1	1
	C,D	1044845	Package, Screw, Phillips Pan Head (#10-32 x 1-3/8")	1	1
	C,E	1075526	Guard, Clothing, Black Steel	1	1
	C,F	1109939	Guard, Clothing, Black Steel	1	1
	C,G	1110285	Guard, Clothing, Desk Length - Right	1	1
	C,G	1110286	Guard, Clothing, Desk Length - Left	1	1

Conventional Fixed Height Arm Assembly - Black Finishes - EXI/EX2

Item Number	Note	Part Number	Description	Quantity Per	
				Package	Assembly
	C,G	1110287	Guard, Clothing, Full Length - Right	1	1
	C,G	1110288	Guard, Clothing, Full Length - Left	1	1
	C	1117365	Kit, Clothing Guard, Conventional, Desk Length w/ Screws and Decals (Pair)	1	1
	C	1117366	Kit, Clothing Guards - Conventional, Full Length w/ Screws & Decals	1	1
<p>NOTE: A - Includes items 2-11. B - Includes items 10 and 11. C - Not Shown. D - To be used with Black Plastic Arm Pads #1041061 and 31041062. E - For use on permanent arm, fixed front frames. F - For use on permanent arm, swingaway front frames. G - Includes clothing guard and decal only. Replacement hardware listed within kits. H - After 9/11/07, Invacare recommends ordering arm assemblies in pairs to assure uniform appearance on chair. I - Specify upholstery color when ordering. See category titled "Upholstery Colors and Frame Finishes".</p>					