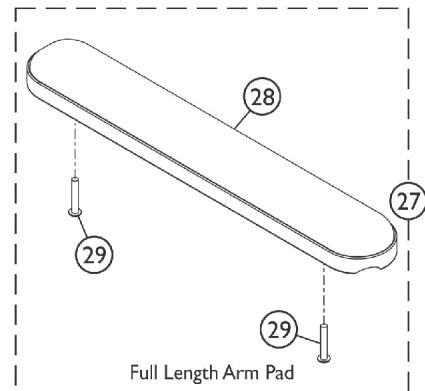
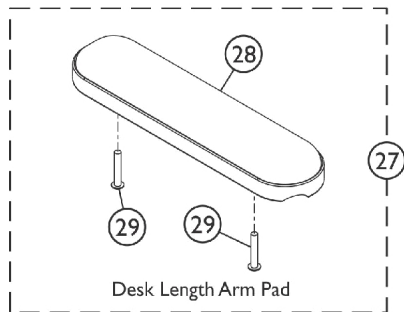
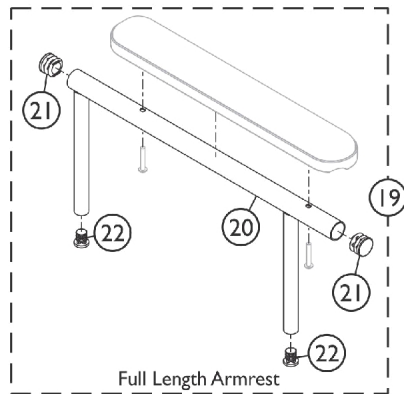
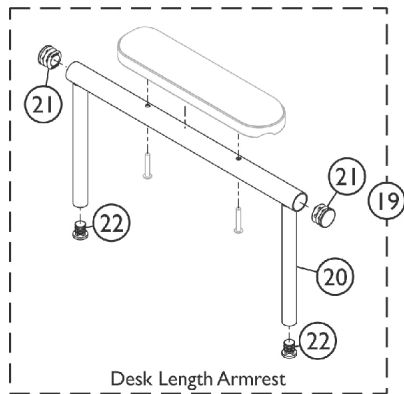
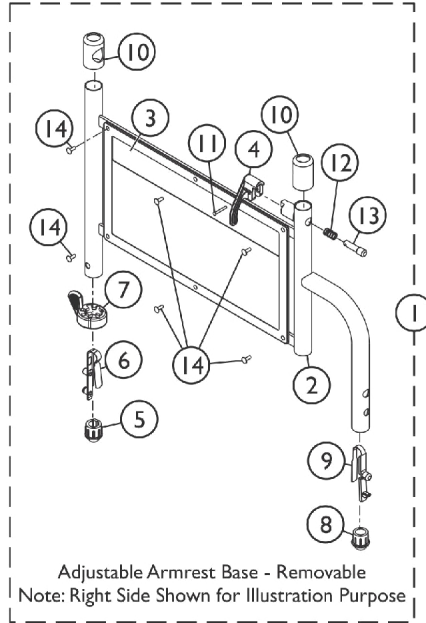


Arm Assembly - Conventional Adjustable Height - Color Finish

EXI / EX2



Arm Assembly - Conventional Adjustable Height - Color Finish

EXI / EX2

Item Number	Note	Part Number	Description	Quantity Per	
				Package	Assembly
1	A,D	8881181883	Kit, Armrest Base, Adjustable, Removable, Color - Right	1	1
2			Armrest, Adjustable Height, Color	1	1
3			Guard, Clothing	1	1
4			Handle, Lock, Black - Right	1	1
5			Plug Button, Arm Tube, Black (3/4")	1	1
6			Spring, Torsion with Button Lock	1	1
7			Handle, Quad Release	1	1
8			Plug, Armrest, Black (3/4") (18GA)	1	1
9			Spring, Torsion w/ Button Lock	1	1
10			Anti-Rattle	1	2
11			Rivet, Tubular	1	1
12			Spring, Arm Lock	1	1
13			Pin, Locking	1	1
14			Rivet	1	6
1	A,D	8881181884	Kit, Armrest Base, Adjustable, Removable, Color - Left	1	1
2			Armrest, Adjustable Height, Color	1	1
3			Guard, Clothing	1	1
4			Handle, Lock, Black - Left	1	1
5			Plug Button, Arm Tube, Black (3/4")	1	1
6			Spring, Torsion with Button Lock	1	1
7			Handle, Quad Release	1	1
8			Plug, Armrest, Black (3/4") (18GA)	1	1
9			Spring, Torsion w/ Button Lock	1	1
10			Anti-Rattle	1	2
11			Rivet, Tubular	1	1
12			Spring, Arm Lock	1	1
13			Pin, Locking	1	1
14			Rivet	1	6
19	B,D	8881181879	Kit, Armrest w/ Plug Buttons, Desk Length, Color - Right/Left	1	1
20			Tube, Arm, Desk Length, Color - Right/Left	1	1
21			Plug Button, Black (7/8")	1	2
22			Plug Button, Black (5/8")	1	2
19	B,D	8881181881	Kit, Armrest w/ Plug Buttons, Full Length, Color - Right/Left	1	1
20			Tube, Arm, Full Length, Color - Right/Left	1	1
21			Plug Button, Black (7/8")	1	2
22			Plug Button, Black (5/8")	1	2
27	C	8881127509	Kit, Arm Pad w/Screws - Full Length	1	1
28			NLA - Pad, Arm, Full Length w/ Law Label	1	1
29			Package, Screw Phillips Pan Head (#10-32 x 1-1/8")	1	1

Arm Assembly - Conventional Adjustable Height - Color Finish

EXI / EX2

Item Number	Note	Part Number	Description	Quantity Per	
				Package	Assembly
27	C	8881127510	Kit, Arm Pad w/Screws - Desk Length	1	1
28			NLA - Arm Pad, Desk Length w/ Law Label	1	1
29			Package, Screw Phillips Pan Head (#10-32 x 1-1/8")	1	1
NOTE: A - Includes items 2-14. B - Includes items 20-22. C - Includes items 28 and 29. Specify upholstery color when ordering, see category titled "Upholstery Colors and Frame Finishes". D - Specify 71P Silver Vein frame finish when ordering.					