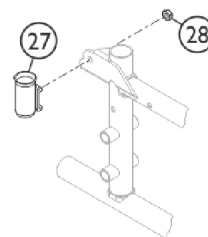
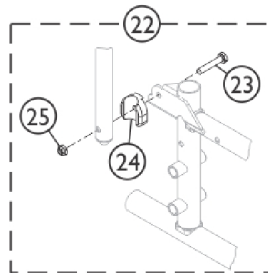
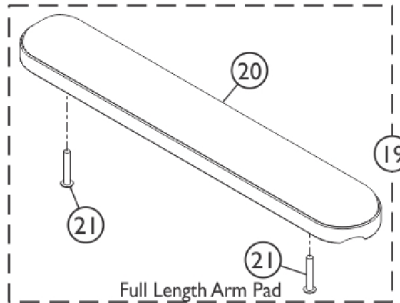
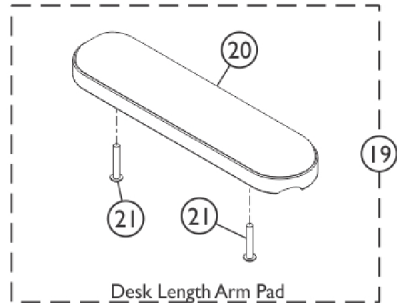
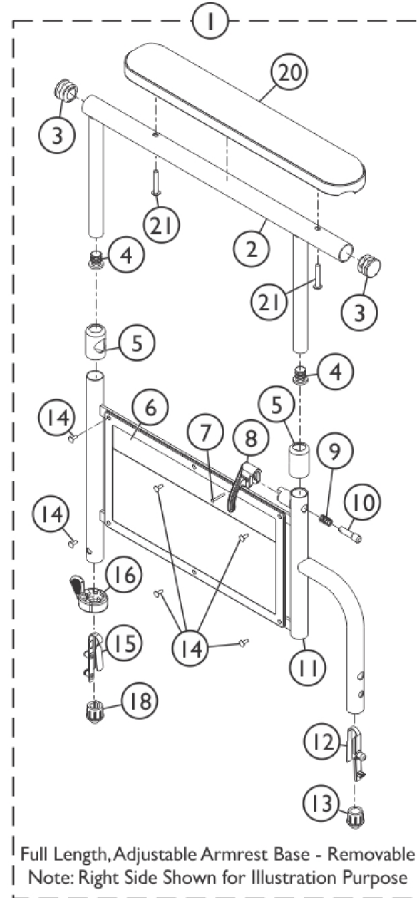
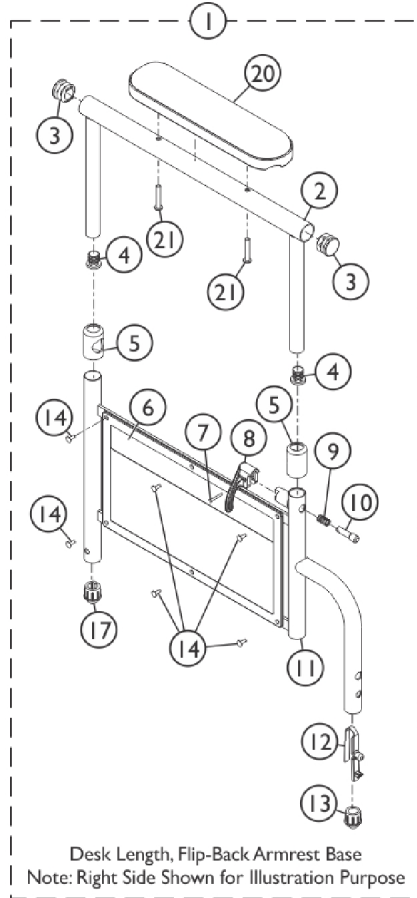


Arm Assembly - Conventional Adjustable Height - Black Finishes

EX1 / EX2 / SX5 / SX5 Recliner



Arm Assembly - Conventional Adjustable Height - Black Finishes

EX1 / EX2 / SX5 / SX5 Recliner

Item Number	Note	Part Number	Description	Quantity Per			
				Package	Assembly		
1	A,J,M	8881127463	Kit, Armrest, Desk Length, Black - Right (Style 29)	1	1		
2			Tube, Armrest, Desk Length, Black	1	1		
3			Plug Button, Black (7/8")	1	2		
4			Plug Button, Black (5/8")	1	2		
5			Anti-Rattle	1	2		
6			Guard, Clothing	1	1		
7			Rivet, Tubular	1	1		
8			Handle, Lock, Black - Right	1	1		
9			Spring, Arm Lock	1	1		
10			Pin, Locking	1	1		
11			Armrest, Adjustable Height, Black	1	1		
12			Spring, Torsion w/ Button Lock	1	1		
13			Plug, Armrest, Black (3/4") (18GA)	1	1		
14			Rivet	1	6		
17			Plug, Armrest, Black (3/4") (20GA)	1	1		
20			Arm Pad, Desk Length w/ Law Label	1	1		
21			Package, Screw Phillips Pan Head (#10-32 x 1-1/8")	1	1		
1			A,J,M	8881127462	Kit, Armrest, Desk Length, Black - Left (Style 29)	1	1
2					Tube, Armrest, Desk Length, Black	1	1
3					Plug Button, Black (7/8")	1	2
4					Plug Button, Black (5/8")	1	2
5	Anti-Rattle	1			2		
6	Guard, Clothing	1			1		
7	Rivet, Tubular	1			1		
8	Handle, Lock, Black - Left	1			1		
9	Spring, Arm Lock	1			1		
10	Pin, Locking	1			1		
11	Armrest, Adjustable Height, Black	1			1		
12	Spring, Torsion w/ Button Lock	1			1		
13	Plug, Armrest, Black (3/4") (18GA)	1			1		
14	Rivet	1			6		
17	Plug, Armrest, Black (3/4") (20GA)	1			1		
20	Arm Pad, Desk Length w/ Law Label	1			1		
21	Package, Screw Phillips Pan Head (#10-32 x 1-1/8")	1			1		
1	B,J	8881135513			Kit, Armrest, Desk Length, Black - Right (Style 29)	1	1
2					Tube, Arm, Desk Length, Black	1	1
3					Plug Button, Black (7/8")	1	2
4					Plug Button, Black (5/8")	1	2
5			Anti-Rattle	1	2		
6			Guard, Clothing	1	1		
7			Rivet, Tubular	1	1		
8			Handle, Lock, Black - Right	1	1		
9			Spring, Arm Lock	1	1		

Arm Assembly - Conventional Adjustable Height - Black Finishes

EXI / EX2 / SX5 / SX5 Recliner

Item Number	Note	Part Number	Description	Quantity Per	
				Package	Assembly
10			Pin, Locking	1	1
11			Armrest, Adjustable Height, Black	1	1
12			Spring, Torsion w/ Button Lock	1	1
13			Plug, Armrest, Black (3/4") (18GA)	1	1
14			Rivet	1	6
15			Spring, Torsion with Button Lock	1	1
16			Handle, Quad Release	1	1
18			Plug Button, Arm Tube, Black (3/4")	1	1
20			Arm Pad, Desk Length w/ Law Label	1	1
21			Package, Screw Phillips Pan Head (#10-32 x 1-1/8")	2	1
1	B,J	8881135514	Kit, Armrest, Desk Length, Black - Left (Style 29)	1	1
2			Tube, Arm, Desk Length, Black	1	1
3			Plug Button, Black (7/8")	1	2
4			Plug Button, Black (5/8")	1	2
5			Anti-Rattle	1	2
6			Guard, Clothing	1	1
7			Rivet, Tubular	1	1
8			Handle, Lock, Black - Left	1	1
9			Spring, Arm Lock	1	1
10			Pin, Locking	1	1
11			Armrest, Adjustable Height, Black	1	1
12			Spring, Torsion w/ Button Lock	1	1
13			Plug, Armrest, Black (3/4") (18GA)	1	1
14			Rivet	1	6
15			Spring, Torsion with Button Lock	1	1
16			Handle, Quad Release	1	1
18			Plug Button, Arm Tube, Black (3/4")	1	1
20			Arm Pad, Desk Length w/ Law Label	1	1
21			Package, Screw Phillips Pan Head (#10-32 x 1-1/8")	2	1
1	C,J,N	8881127472	Kit, Armrest, Full Length, Black - Right (Style 19)	1	1
2			Tube, Armrest, Full Length, Black	1	1
3			Plug Button, Black (7/8")	1	2
4			Plug Button, Black (5/8")	1	2
5			Anti-Rattle	1	2
6			Guard, Clothing	1	1
7			Rivet, Tubular	1	1
8			Handle, Lock, Black - Right	1	1
9			Spring, Arm Lock	1	1
10			Pin, Locking	1	1
11			Armrest, Adjustable Height, Black	1	1
12			Spring, Torsion w/ Button Lock	1	1
13			Plug, Armrest, Black (3/4") (18GA)	1	1
14			Rivet	1	6

Arm Assembly - Conventional Adjustable Height - Black Finishes

EX1 / EX2 / SX5 / SX5 Recliner

Item Number	Note	Part Number	Description	Quantity Per	
				Package	Assembly
15			Spring, Torsion with Button Lock	1	1
16			Handle, Quad Release	1	1
18			Plug Button, Arm Tube, Black (3/4")	1	1
20			NLA - Pad, Arm, Full Length w/ Law Label	1	1
21			Package, Screw Phillips Pan Head (#10-32 x 1-1/8")	1	1
1	C,J,N	8881127471	Kit, Armrest, Full Length, Black - Left (Style 19)	1	1
2			Tube, Armrest, Full Length, Black	1	1
3			Plug Button, Black (7/8")	1	2
4			Plug Button, Black (5/8")	1	2
5			Anti-Rattle	1	2
6			Guard, Clothing	1	1
7			Rivet, Tubular	1	1
8			Handle, Lock, Black - Left	1	1
9			Spring, Arm Lock	1	1
10			Pin, Locking	1	1
1			Armrest, Adjustable Height, Black	1	1
12			Spring, Torsion w/ Button Lock	1	1
13			Plug, Armrest, Black (3/4") (18GA)	1	1
14			Rivet	1	6
15			Spring, Torsion with Button Lock	1	1
16			Handle, Quad Release	1	1
18			Plug Button, Arm Tube, Black (3/4")	1	1
20			NLA - Pad, Arm, Full Length w/ Law Label	1	1
21			Package, Screw Phillips Pan Head (#10-32 x 1-1/8")	1	1
1	B,J	8881127457	Kit, Armrest, Full Length, Black - Right (Style 19)	1	1
2			Tube, Arm, Full Length, Black	1	1
3			Plug Button, Black (7/8")	1	2
4			Plug Button, Black (5/8")	1	2
5			Anti-Rattle	1	2
6			Guard, Clothing	1	1
7			Rivet, Tubular	1	1
8			Handle, Lock, Black - Right	1	1
9			Spring, Arm Lock	1	1
10			Pin, Locking	1	1
11			Armrest, Adjustable Height, Black	1	1
12			Spring, Torsion w/ Button Lock	1	1
13			Plug, Armrest, Black (3/4") (18GA)	1	1
14			Rivet	1	6
15			Spring, Torsion with Button Lock	1	1
16			Handle, Quad Release	1	1
18			Plug Button, Arm Tube, Black (3/4")	1	1
20			NLA - Pad, Arm, Full Length w/ Law Label	1	1
21			Package, Screw Phillips Pan Head (#10-32 x 1-1/8")	1	1

Arm Assembly - Conventional Adjustable Height - Black Finishes

EXI / EX2 / SX5 / SX5 Recliner

Item Number	Note	Part Number	Description	Quantity Per	
				Package	Assembly
1	B,J	8881127456	Kit, Armrest, Full Length, Black - Left (Style 19)	1	1
2			Tube, Arm, Full Length, Black	1	1
3			Plug Button, Black (7/8")	1	2
4			Plug Button, Black (5/8")	1	2
5			Anti-Rattle	1	2
6			Guard, Clothing	1	1
7			Rivet, Tubular	1	1
8			Handle, Lock, Black - Left	1	1
9			Spring, Arm Lock	1	1
10			Pin, Locking	1	1
11			Armrest, Adjustable Height, Black	1	1
12			Spring, Torsion w/ Button Lock	1	1
13			Plug, Armrest, Black (3/4") (18GA)	1	1
14			Rivet	1	6
15			Spring, Torsion with Button Lock	1	1
16			Handle, Quad Release	1	1
18			Plug Button, Arm Tube, Black (3/4")	1	1
20			NLA - Pad, Arm, Full Length w/ Law Label	1	1
21			Package, Screw Phillips Pan Head (#10-32 x 1-1/8")	1	1
19	D,J	8881127509	Kit, Arm Pad w/Screws - Full Length	1	1
20			NLA - Pad, Arm, Full Length w/ Law Label	1	1
21			Package, Screw Phillips Pan Head (#10-32 x 1-1/8")	1	1
19	D,J	8881127510	Kit, Arm Pad w/Screws - Desk Length	1	1
20			Arm Pad, Desk Length w/ Law Label	1	1
21			Package, Screw Phillips Pan Head (#10-32 x 1-1/8")	1	1
22	E	1110058	Hardware Kit, Arm Flip Back (Pair)	1	1
23			NLA - Screw, Hex Head (1/4-20 x 1-3/8")	1	2
24			Spacer, Arm	1	2
25			Locknut (1/4-20)	1	2
21		1044845	Package, Screw, Phillips Pan Head (#10-32 x 1-3/8")	2	1
15		1018225	Spring, Torsion with Button Lock	1	1
16		1015450	Handle, Quad Release	1	1
18		1110071	Plug Button, Arm Tube, Black (3/4")	1	1
20		1041061	Pad, Arm, Upper/Lower, Black Plastic, Full Length	1	1
20		1041062	Pad, Arm, Upper/Lower, Black Plastic, Desk Length	1	1
27	F,K	1110098	NLA - Socket, Arm Cup, Chrome - Right	1	1
27	F,K	1110099	NLA - Socket, Arm Cup, Chrome - Left	1	1
28	F	60275X000	Locknut (1/4-20)	1	1
	G,L	1110100	Kit, Rear Socket Non-Flip Back Arm Hardware, Color (Pair)	1	1
			Socket, Arm Cup, Color - Right	1	1
			Socket, Arm Cup, Color - Left	1	1

Arm Assembly - Conventional Adjustable Height - Black Finishes

EX1 / EX2 / SX5 / SX5 Recliner

Item Number	Note	Part Number	Description	Quantity Per	
				Package	Assembly
	B,G,J	8881143046	Locknut (1/4-20)	1	2
			Kit, Armrest, Full Length, Black - Right/Left (Style19) (Pair)	1	1
			NLA - Pad, Arm, Full Length w/ Law Label	1	1
			Package, Screw Phillips Pan Head (#10-32 x 1-1/8")	1	2
			NLA - Arm Tube Assembly w/ Plug Buttons, Full Length, Black - Right/Left	1	2
			Arm Base Assembly, Removable, Black- Right	1	1
			Arm Base Assembly, Removable, Black- Left	1	1
			Instruction Sheet	1	1
	B,G,J	8881143047	Kit, Armrest, Desk Length, Black - Right/Left (Style 29) (Pair)	1	1
			Arm Pad, Desk Length w/ Law Label	1	1
			Package, Screw Phillips Pan Head (#10-32 x 1-1/8")	1	2
			NLA - Arm Tube Assembly w/ Plug Buttons, Desk Length, Black - Right/Left	1	2
			Arm Base Assembly, Removable, Black- Right	1	1
			Arm Base Assembly, Removable, Black- Left	1	1
			Instruction Sheet	1	1
	G,H	7100053	Arm Lock Assembly, Black - Right	1	1
			Handle, Lock, Black - Right	1	1
			Rivet, Tubular	1	2
			Pin, Locking	1	2
			Spring, Arm Lock	1	2
	G,H	7100054	Arm Lock Assembly, Black - Left	1	1
			Handle, Lock, Black - Left	1	1
			Rivet, Tubular	1	2
			Pin, Locking	1	2
			Spring, Arm Lock	1	2
<p>NOTE: A - For Tracer SX5 Non-Reclining Chair with Flip-Back Arms. Includes items 2-14, 17, 20 and 21. B - For Tracer EX2. Includes items 2-16, 18, 20 and 21. C - For Tracer SX5 Recliner. Includes items 2-16, 18, 20 and 21. D - Includes items 20 and 21. E - Includes items 23-25. For Tracer SX5. F - For Tracer SX5 Recliner. G - Not Shown. H - Includes items 7-10. J - Specify upholstery color when ordering. See category titled "Upholstery Colors and Frame Finishes". K - Chrome Arm Cup Sockets are No Longer Available. Order part #1110100 as a replacement. The color will be 71P Silver Vein. L - Before 4/12/13, kit came with chrome Arm Cup Sockets. After 4/11/13 kit comes with 71P Silver Vein color Arm Cup Sockets. M - If Style 19 Full Length Adjustable Flip-Back Arms are needed, use special Quote # C-130108083924 when ordering. N - If Style 29 Desk Length Adjustable Non-Flip-Back (Removable) Arms are needed, use special Quote # C-130108083924 when ordering.</p>					