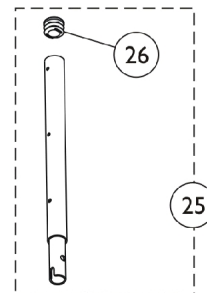
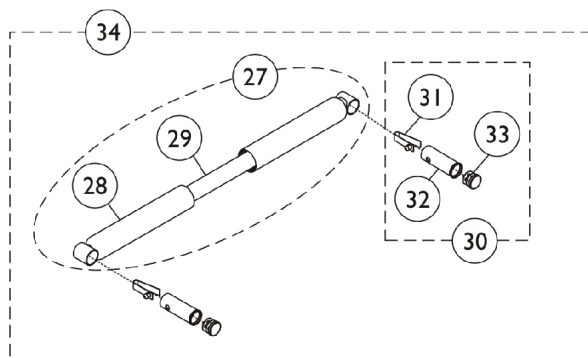
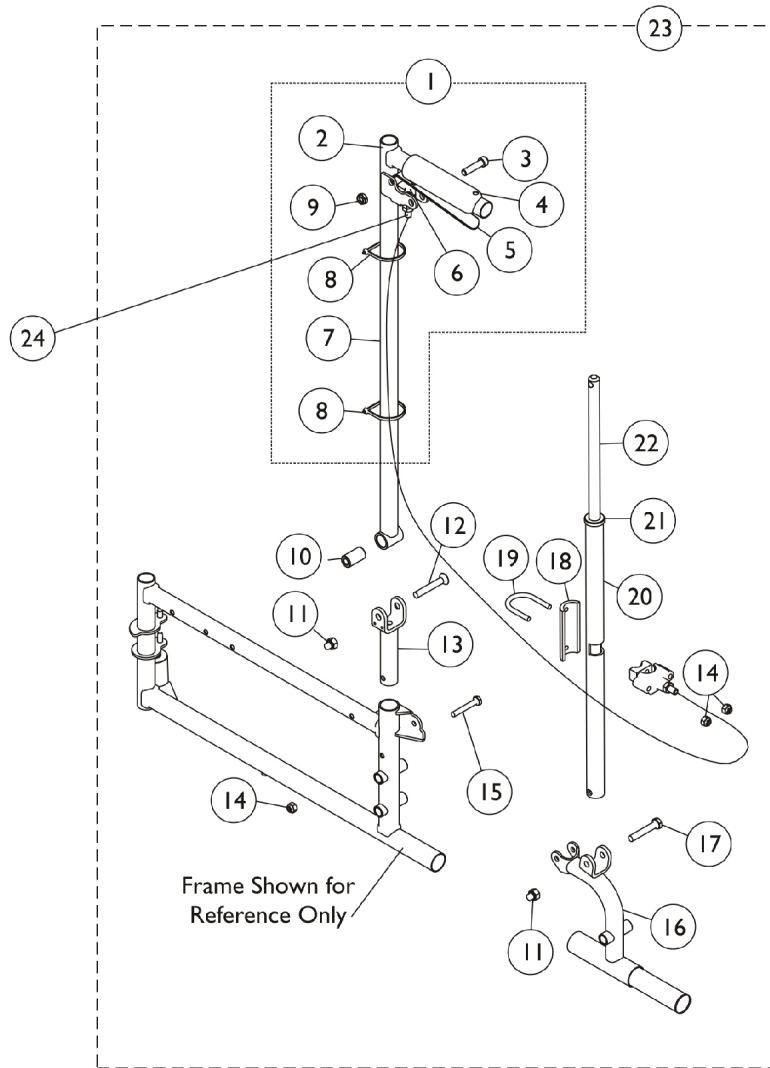


Recliner Back Assembly



Recliner Back Assembly

Item Number	Note	Part Number	Description	Quantity Per	
				Package	Assembly
1	A,L	1074497	Cane Tube Assembly, Rear, Recliner, Black - Right	1	1
1	A,L	1074498	Cane Tube Assembly, Rear, Recliner, Black - Left	1	1
1	A,K,N	8881181946	Cane Tube Assembly, Rear, Recliner, Color - Right	1	1
1	A,K,N	8881181947	Cane Tube Assembly, Rear, Recliner, Color - Left	1	1
2		1073495	Tube, Back, Black	1	1
3		1021343	Screw, Socket Head (5/16-18 x 1-1/4")	1	1
3		1021344	Screw, Socket Head (5/16-18 x 1-1/2")	1	1
4		1061484	Grip, Handle, Foam, Black (5")	1	1
5		1021085	Lever, Brake Release, Black	1	1
6		1071676	Fastener, Spring Grip	1	1
7		1074471	Cable and Housing Assembly	1	1
			Cable Assembly	1	1
			Nut, Hex (5/16"-18)	1	2
			Housing, Support	1	1
			NLA - Spring, Compression (27/64 x 1 x 3/64")	1	1
			NLA - Sector, Threaded	1	1
			Tubing, Heatshrink Adhesive (1-1/2")	1	1
			NLA - Nut, Swivel (5/16-18 x 21/32")	1	1
8		1021260	Tie Wrap (5-5/8" L)	1	2
9		60290X002	Locknut (5/16-18)	1	2
10		1058938	Bushing, Pivot (5/16 x 5/8 x 1-1/8")	1	1
11		1060057	Nut, Cap (5/16-24)	1	2
12		1058920	Screw, Socket Flat Head (5/16-24 x 2")	1	1
13	L,M	1110096-NLA	NLA - U-Bracket, Chrome	1	1
14		1008882	Locknut (1/4-20)	1	3
15		1095553	Screw, Hex Head (1/4-20 x 1-5/8")	1	1
16	L,M	1110063	Bracket Offset Assembly, Chrome - Right	1	1
16	J,L,M	1110064-NLA	NLA - Bracket Offset Assembly, Chrome - Left	1	1
17		11239X000-NLA	NLA - Screw, Hex Head (5/16-24 x 1-3/4")	1	1
18		1023329-NLA	NLA - Plate Support	1	1
19		1023328	U-Bolt (1/4-20 x 1-13/16")	1	1
20	L,M	1086366-NLA	NLA - Tube, Locking, Chrome	1	1
20		1142777	Tube, Locking, Black	1	1
21		1024221	Anti-Rattle, Black	1	1
22		1042736	Rod, Locking	1	1
23	B,F	1110065	Recliner Back Assembly, Black - Right	1	1
23	B,F	1110066	Recliner Back Assembly, Black - Left	1	1
23	B,G	1142780	Recliner Back Assembly, Black - Right	1	1
23	B,G	1142781	Recliner Back Assembly, Black - Left	1	1
23	B,K,N	8881182022	Recliner Back Assembly, Color - Right	1	1
23	B,K,N	8881182023	Recliner Back Assembly, Color - Left	1	1
24		1070840-NLA	NLA - Nut, Swivel (5/16-18 x 21/32")	1	1
25	L	1054595-NLA	NLA - Headrest Extension Tube Assembly, Black	1	2
25	K,P	8881181852	Headrest Extension Tube Assembly, Color	1	1
26		1027097	Plug Button, Black (3/4")	1	1
27	I,L,O	1088377	Bar Spreader with Grips, Chrome (14" W)	1	1
27	I,L,O	1062638-NLA	NLA - Bar, Spreader with Grips, Chrome (16" W)	1	1

Recliner Back Assembly

Item Number	Note	Part Number	Description	Quantity Per	
				Package	Assembly
27	I,L,O,Q	1062639-NLA	NLA - Bar, Spreader with Grips, Chrome (18" W)	1	1
27	I,L,O,Q	1088382-NLA	NLA - Bar Spreader with Grips, Chrome (20" W)	1	1
27	I,L,O,Q	1088387-NLA	NLA - Bar Spreader with Grips, Chrome (22" W)	1	1
28	C	1061484	Grip, Handle, Foam, Black (5")	1	2
28	D	1032245	Grip, Foam Hand (6-7/8" L)	1	2
30	H	1071120	Lock Handle	1	2
31			Button, Single Snap	1	1
32			Insert, Seat Rail	1	1
33			Plug Button, Black (3/4")	1	1
34	E,L,Q	1088378-NLA	NLA - Bar Spreader with Locking Pins, Chrome (14" W)	1	1
34	E,L,Q	1071121-NLA	NLA - Bar, Spreader with Locking Pins, Chrome (16" W)	1	1
34	E,L,Q	1071122-NLA	NLA - Bar, Spreader with Locking Pins, Chrome (18" W)	1	1
34	E,L,Q	1088383-NLA	NLA - Bar, Spreader with Locking Pins, Chrome (20" W)	1	1
34	E,L,Q	1088388-NLA	NLA - Bar, Spreader with Locking Pins, Chrome (22" W)	1	1
34	K	1182040	Bar, Spreader with Locking Pins, Black (14" W)	1	1
34	K	1182041	Bar, Spreader with Locking Pins, Black (16" W)	1	1
34	K	1182042	Bar, Spreader with Locking Pins, Black (18" W)	1	1
34	K	1182043	Bar, Spreader with Locking Pins, Black (20" W)	1	1
34	K	1182044	Bar, Spreader with Locking Pins, Black (22" W)	1	1
<p>NOTE: A - Includes items 2-9. Compression spring and threaded sector are not sold individually. B - Includes Items 2-22. C - For 14" Wide Chairs. D - For 16-22" Wide Chairs. E - Includes 27-33. F - Before 3/6/06. G - 3/6/06-4/11/13. H - Includes items 31-33. I - Includes items 28 and 29. J - No longer available as a service part individually. See item 23 and order part #1110066 as a replacement. K - After 4/11/13 L - Before 4/12/13 M - Individual color components are non-serviceable. Order item #23. Use 1142777 as a replacement for chrome that is no longer available.. N - Specify 34P Flat Black frame finish when ordering. O - Item #27 for color frame models is not available. Must order Item #34 as a replacement. P - Specify 71P Silver Vein frame finish when ordering. Q - Chrome is No Longer Available. Select Item #34 Spreader Bar in Black as a replacement.</p>					