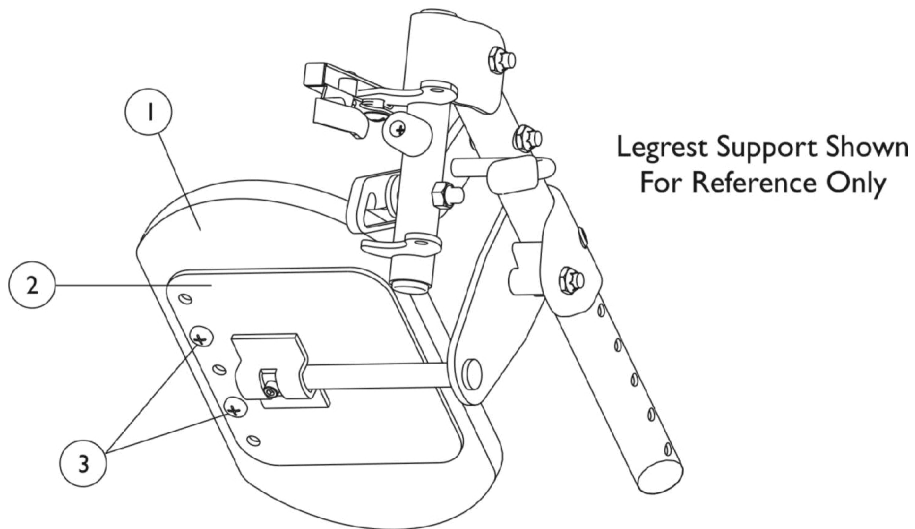


Calf Pads



Item Number	Note	Part Number	Description	Quantity Per	
				Package	Assembly
1	A	8881193555	Calf Pad Assembly, Black Base (Pair)	2	1
2		1100758-NLA	NLA - Plate, Calf Pad Mounting, Chrome	1	1
2	B	8881182003	Plate, Calf Pad Mounting, Color	1	1
3		1104304	Calf Pad Hardware	1	1
NOTE: A - Specify upholstery color when ordering. See category titled, " Frame Finishes, Packaging, and Upholstery Colors." B - Specify 71P Silver Vein frame finish when ordering.					