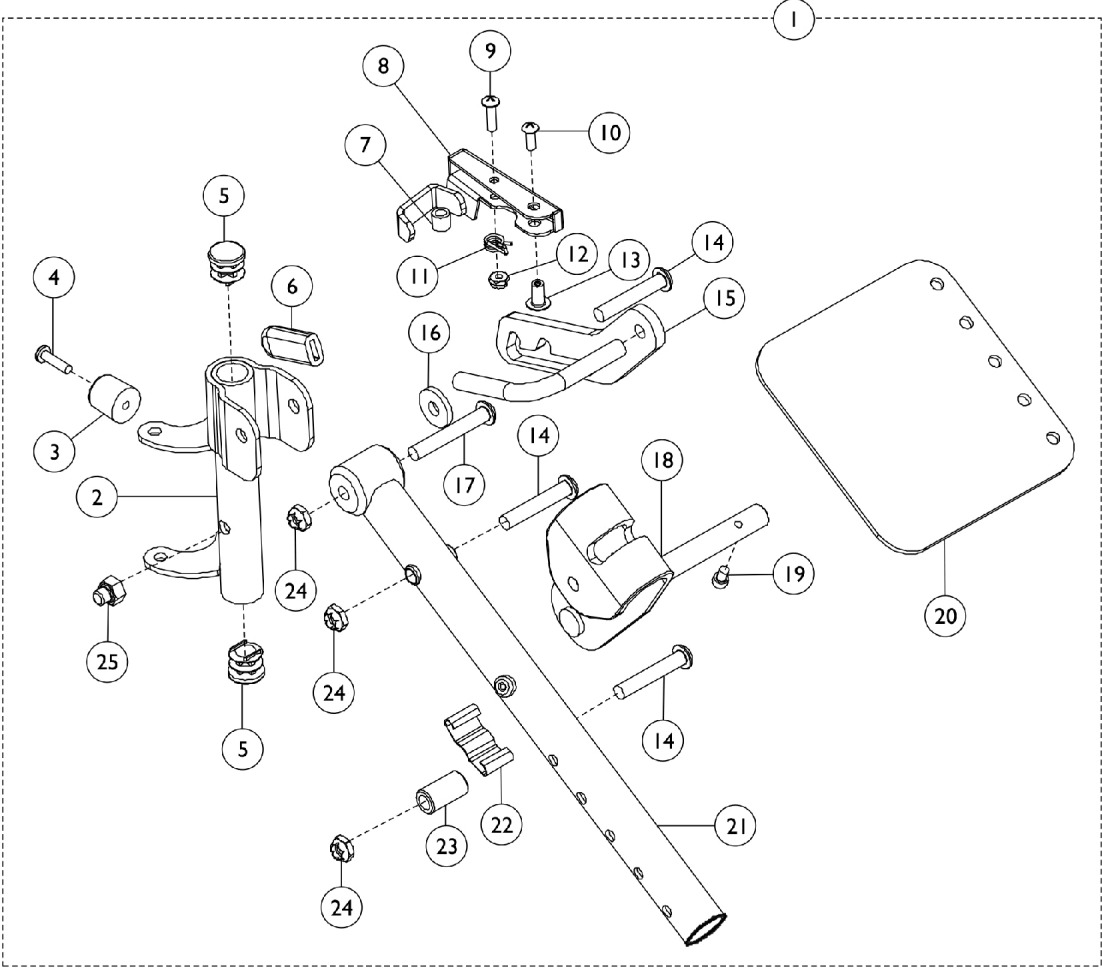


Legrest Support Assembly - TZ34A



Legrest Support Assembly - TZ34A

Item Number	Note	Part Number	Description	Quantity Per	
				Package	Assembly
1	B	1102164-NLA	NLA - Legrest Support Assembly, Chrome - Right	1	1
1	B	1102165-NLA	NLA - Legrest Support Assembly, Chrome - Left	1	1
1	B,F	8881182007	Legrest Support Assembly, Color - Right	1	1
1	B,F	8881182008	Legrest Support Assembly, Color - Left	1	1
2		1100818-NLA	NLA - Tube, Legrest Support, Chrome - Right	1	1
2		1100819-NLA	NLA - Tube, Legrest Support, Chrome - Left	1	1
3		1022874	Bumper	1	1
4		1030979	Screw, Phillips Pan Head Tap (#10-32 x 3/4")	1	1
5		1027097	Plug Button, Black (3/4")	1	2
6	D	1006490-NLA	NLA - Tip, Plastic, Black	1	1
7		47565X057	Bushing (7/32 x 3/8 x 11/32")	1	1
8	G	1101442-NLA	NLA - Handle, Release, Chrome - Right	1	1
8	G	1101443-NLA	NLA - Handle, Release, Chrome - Left	1	1
9		40163X008	Screw, Phillips Pan Head (#10-32 x 11/16")	1	1
10		40163X002	Screw, Phillips Round Head (#10-32 x 1/2")	1	1
11		1008935	Spring, Release - Right	1	1
11		1008936	Spring, Release - Left	1	1
12		60279X003	Locknut (#10-32)	1	1
13		67005X000	Rivnut (#10-32)	1	1
14		1102760	Screw, Truss Head (5/16-24 x 1-3/4")	1	3
15	E	1102761-NLA	NLA - Lockplate - Right	1	1
15	E	1102762-NLA	NLA - Lockplate - Left	1	1
16		1016301	Washer, Nylon (5/16 x 7/8 x 1/8")	1	1
17		1104210	Screw, Socket Button Head (5/16-24 x 2")	1	1
18		1102226-NLA	NLA - Bracket, Calf Pad Mounting, Chrome	1	1
18	F	8881182002	Bracket, Calf Pad Mounting, Color	1	1
19		1102759	Screw, Socket Head (#10-32 x 3/8")	1	1
20		1100758-NLA	NLA - Plate, Calf Pad Mounting, Chrome	1	1
20	F	8881182003	Plate, Calf Pad Mounting, Color	1	1
21	G	1102763-NLA	NLA - Tube, Elevating Support, Chrome - Right	1	1
21	G	1102764-NLA	NLA - Tube, Elevating Support, Chrome - Left	1	1
22		48823X008	Spring, Leaf	1	1
23		1195731	Bushing (5/16 x 35/64 x 1")	1	1
24		60264X001	Locknut (5/16-24)	1	1
25		1060057	Nut, Cap (5/16-24)	1	1
	A,C	8881193555	Calf Pad Assembly, Black Base (Pair)	2	1
	A,C	1104304	Calf Pad Hardware	1	1

NOTE: A - Not Shown.
 B - Includes Items 2-25.
 C - See category titled, "Calf Pads" for drawing illustration.
 D - Tip must be heat treated in order to install.
 E - No longer available as a service part. There is no replacement.
 F - Specify 71P Silver Vein frame finish when ordering.
 G - Item #2, 8 and 21 are not available for sale on color frame models. See item #1 as a replacement.