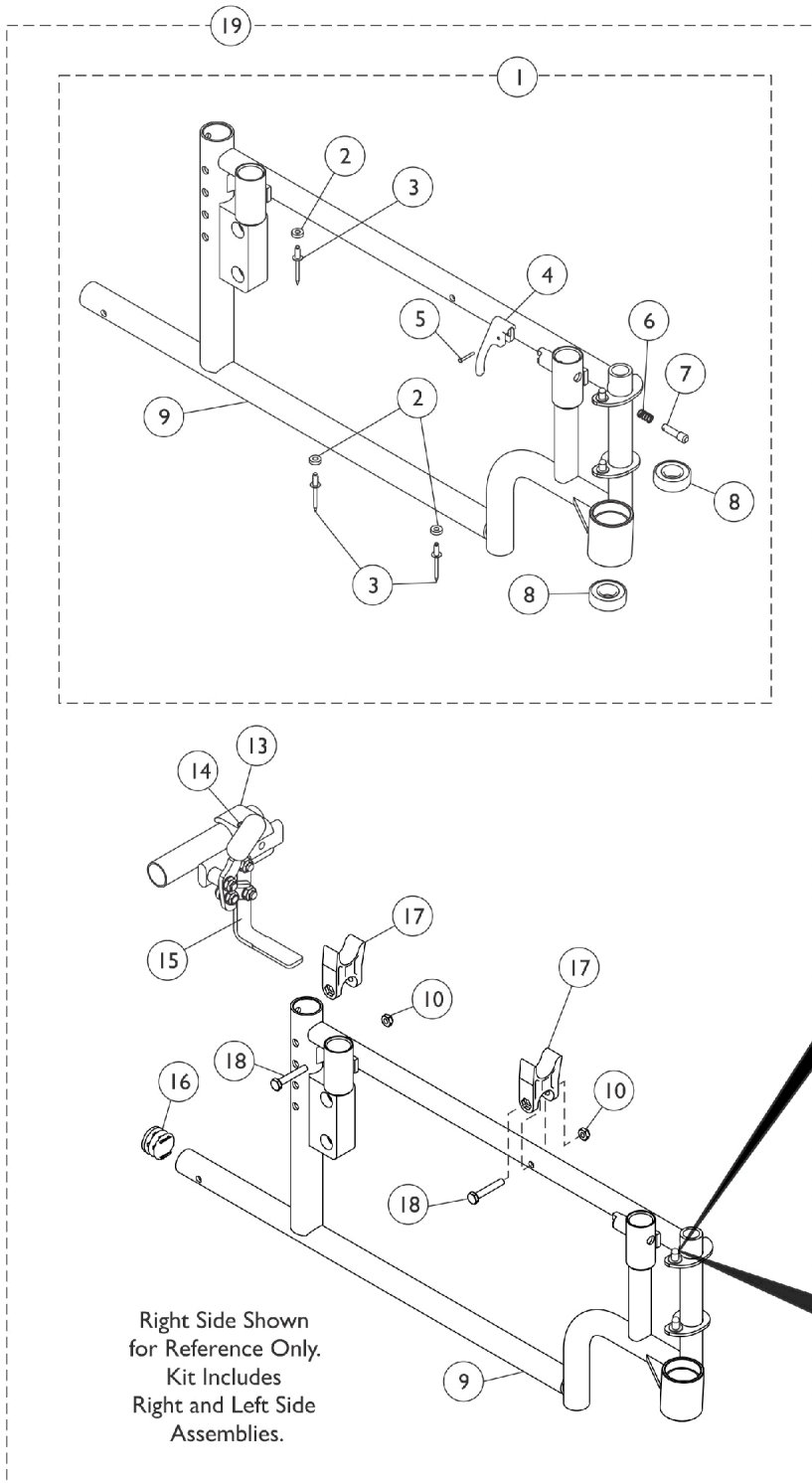
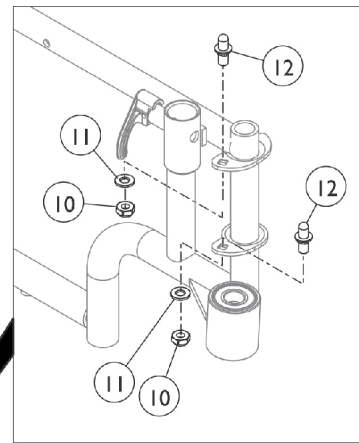


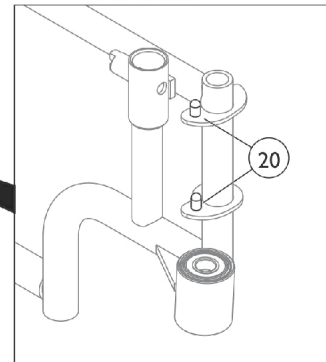
Side Frames and Hardware



After 4/11/13



Before 4/12/13



Side Frames and Hardware

Item Number	Note	Part Number	Description	Quantity Per	
				Package	Assembly
1	A,B,G, G1	8881139590	Side Frame Assembly, Color - Right	1	1
2			NLA - Washer, Nylon (3/16 x 7/16 x 1/8")	1	3
3			NLA - Rivet (3/16 x 7/16")	1	3
4			Handle, Lock, Black - Right	1	1
5			Rivet, Tubular	1	1
6			Spring, Arm Lock	1	1
7			Pin, Locking	1	1
8			Bearing (5/8")	1	2
9			Frame, Side, Color - Right	1	1
1	A,B,G, G1	8881139591	Side Frame Assembly, Color - Left	1	1
2			NLA - Washer, Nylon (3/16 x 7/16 x 1/8")	1	3
3			NLA - Rivet (3/16 x 7/16")	1	3
4			Handle, Lock, Black - Left	1	1
5			Rivet, Tubular	1	1
6			Spring, Arm Lock	1	1
7			Pin, Locking	1	1
8			Bearing (5/8")	1	2
9			Frame, Side, Color - Left	1	1
19	B,C,D	8881139600	Kit, Frames and Push to Lock Wheel Locks, Color	1	1
2			NLA - Washer, Nylon (3/16 x 7/16 x 1/8")	1	6
3			NLA - Rivet (3/16 x 7/16")	1	6
4			Handle, Lock, Black - Right	1	1
4			Handle, Lock, Black - Left	1	1
5			Rivet, Tubular	1	2
6			Spring, Arm Lock	1	2
7			Pin, Locking	1	2
8			Bearing (5/8")	1	4
9			Frame, Side, Color - Right	1	1
9			Frame, Side, Color - Left	1	1
10			Locknut (1/4-20)	1	8
11			Washer, Plain (1/4 x 1/2 x 9/16")	1	4
12			Pin, Hinge	1	4
13			Clamp, Wheel Lock, Threaded (7/8")	1	2
13			NLA - Clamp, Wheel Lock, Non-Threaded (7/8")	1	2
14			Screw, Allen Head (1/4-20 x 1")	1	4
15			Wheel Lock, High Mount, Push to Lock - Right	1	1
15			Wheel Lock, High Mount, Push to Lock - Left	1	1
16	Plug Button, Black (3/4")	1	2		
17	H-Block	1	4		
18	Screw, Hex Head (1/4-20 x 1-1/2")	1	4		
19	B,C,D	8881139601	Kit, Frames and Pull to Lock Wheel Locks, Color	1	1
2			NLA - Washer, Nylon (3/16 x 7/16 x 1/8")	1	6
3			NLA - Rivet (3/16 x 7/16")	1	6
4			Handle, Lock, Black - Right	1	1
4			Handle, Lock, Black - Left	1	1

Side Frames and Hardware

Item Number	Note	Part Number	Description	Quantity Per	
				Package	Assembly
5			Rivet, Tubular	1	2
6			Spring, Arm Lock	1	2
7			Pin, Locking	1	2
8			Bearing (5/8")	1	4
9			Frame, Side, Color - Right	1	1
9			Frame, Side, Color - Left	1	1
10			Locknut (1/4-20)	1	8
11			Washer, Plain (1/4 x 1/2 x 9/16")	1	4
12			Pin, Hinge	1	4
13			Clamp, Wheel Lock, Threaded (7/8")	1	2
13			NLA - Clamp, Wheel Lock, Non-Threaded (7/8")	1	2
14			Screw, Allen Head (1/4-20 x 1")	1	4
15			Wheel Lock, Clamp On, Pull to Lock - Right	1	1
15			Wheel Lock, Clamp On, Pull to Lock - Left	1	1
16			Plug Button, Black (3/4")	1	2
17			H-Block	1	4
18			Screw, Hex Head (1/4-20 x 1-1/2")	1	4
	D,E	1100792	Kit, Frame Hardware (Pair)	1	1
10			Locknut (1/4-20)	1	8
11			Washer, Plain (1/4 x 1/2 x 9/16")	1	4
12			Pin, Hinge	1	4
16			Plug Button, Black (3/4")	1	2
17			H-Block	1	4
18			Screw, Hex Head (1/4-20 x 1-1/2")	1	4
20	G,G1,H	1096781	Kit, Hinge Pin Replacement Hardware (Pair)	1	1
			NLA - Wrench, Allen (3/32")	1	1
			Cap, Threaded	1	4
			Washer, Locking Split (#10)	1	4
			Screw, Socket Button Head Cap, Regulator (8-32 x 3/8")	1	4
	H	8881101479-NL A	NLA - Frame w/ Bearings, Rivets & Lock Handles, Color - Right	1	1
	H	8881101480-NL A	NLA - Frame w/ Bearings, Rivets & Lock Handles, Color - Left	1	1
	H	1101481-NLA	NLA - Frame w/ Bearings, Rivets & Lock Handles, Chrome - Right	1	1
	H	1101482-NLA	NLA - Frame w/ Bearings, Rivets & Lock Handles, Chrome - Left	1	1
	F	7100053	Arm Lock Assembly, Black - Right	1	1
4			Handle, Lock, Black - Right	1	1
5			Rivet, Tubular	1	2
6			Spring, Arm Lock	1	2
7			Pin, Locking	1	2
	F	7100054	Arm Lock Assembly, Black - Left	1	1
4			Handle, Lock, Black - Left	1	1
5			Rivet, Tubular	1	2
6			Spring, Arm Lock	1	2
7			Pin, Locking	1	2

Side Frames and Hardware

NOTE: A - Includes items 2-9. For replacement of chairs with clamp-on style wheel locks only. Any other style wheel lock will need the complete kit including side frames and wheel locks.

B - Specify frame color when ordering. See category titled, " Frame Finishes, Packaging, and Upholstery Colors."

C - Includes items 2-18. Effective 9/1/05, due to style change of side frame and the option of clamp-on wheel locks, side frames will have to be replaced in pairs.

D - Not shown.

E - Includes items 10-12 and 16-18.

F - Not shown. Includes items 4-7.

G - Hinge Pin Replacement Hardware Kit is only used on Side Frames w/ welded-on Hinge Pins manufactured before 4/12/13. Side Frames after 4/11/13 have Hinge Pin Saddle Plates w/ square holes to attach REMOVABLE Non-Welded Hinge Pins.

G1 - All Side Frames ordered after 4/11/13 require new Side Frame Hardware that will include the removable Hinge Pins also. Removable Hinge Pins are not sold separately.

H - Not Shown