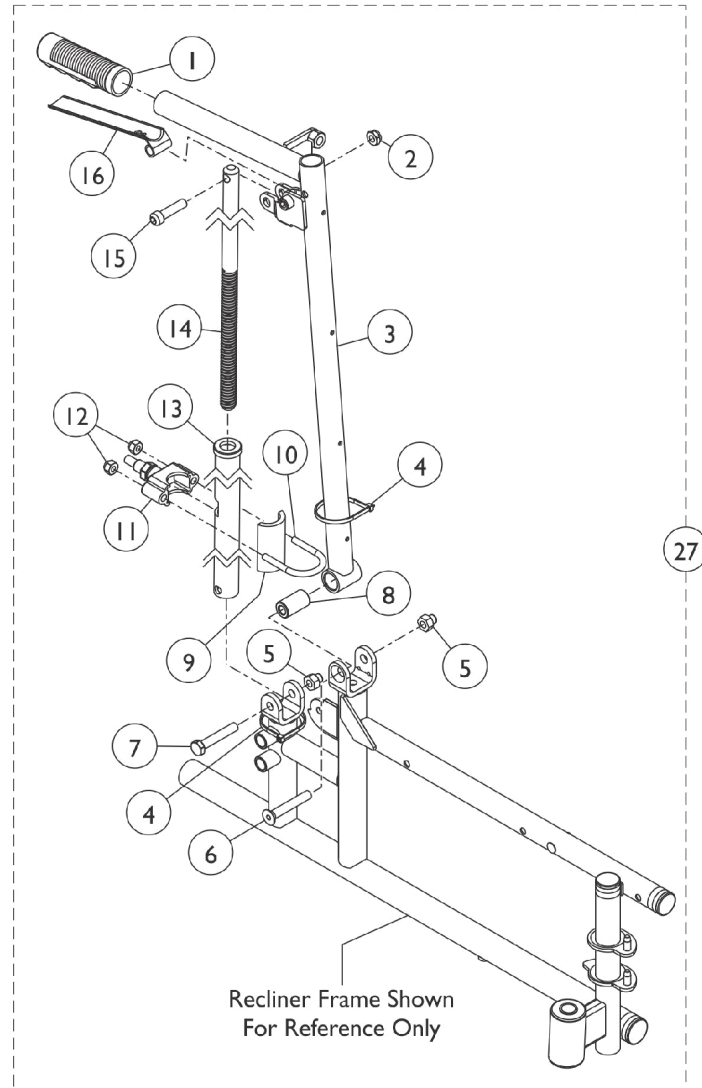
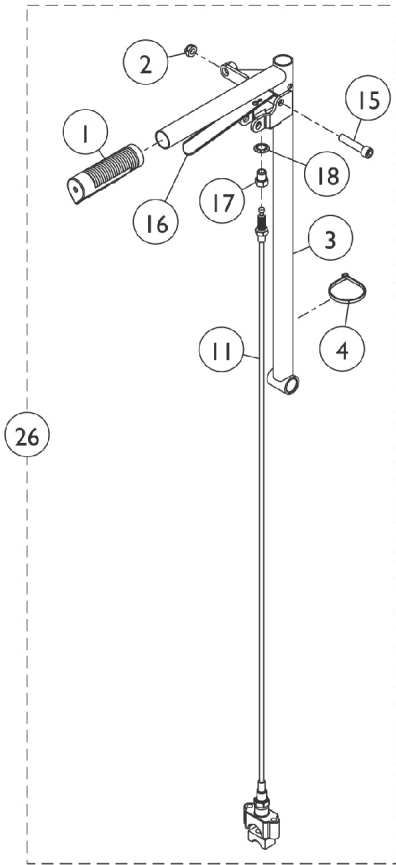
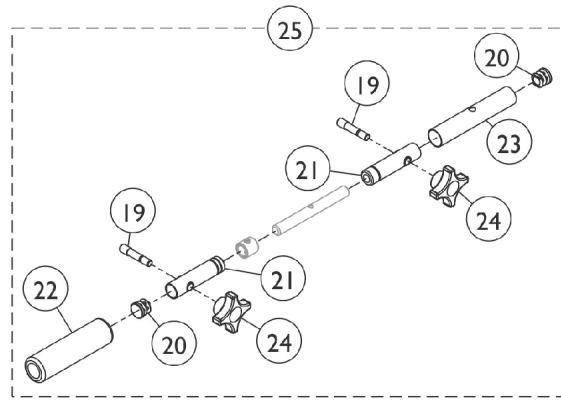


Recliner Back



Recliner Back

Item Number	Note	Part Number	Description	Quantity Per	
				Package	Assembly
1		1021261	Grip, Hand (6")	1	1
2		60290X002	Locknut (5/16-18)	1	1
3		1101925	Tube, Back Reclining, Black - Right	1	1
3		1101926	Tube, Back Reclining, Black - Left	1	1
4		1021260	Tie Wrap (5-5/8" L)	1	2
5		1060057	Nut, Cap (5/16-24)	1	2
6		1058920	Screw, Socket Flat Head (5/16-24 x 2")	1	1
7		11239X000-NLA	NLA - Screw, Hex Head (5/16-24 x 1-3/4")	1	1
8		1058938	Bushing, Pivot (5/16 x 5/8 x 1-1/8")	1	1
9		1023329-NLA	NLA - Plate Support	1	1
10		1023328	U-Bolt (1/4-20 x 1-13/16")	1	1
11		1074471	Cable and Housing Assembly	1	1
11			Cable Assembly	1	1
11			Nut, Hex (5/16"-18)	1	2
11			Housing, Support	1	1
11			NLA - Spring, Compression (27/64 x 1 x 3/64")	1	1
11			NLA - Sector, Threaded	1	1
11			Tubing, Heatshrink Adhesive (1-1/2")	1	1
11			NLA - Nut, Swivel (5/16-18 x 21/32")	1	1
12		7930307-NLA	NLA - Locknut (1/4-20")	25	2
13		1098445	Tube and Cap Assembly, Black	1	1
14		1100700	Rod, Locking	1	1
15		1021344	Screw, Socket Head (5/16-18 x 1-1/2")	1	1
16		1021085	Lever, Brake Release, Black	1	1
17		1070840-NLA	NLA - Nut, Swivel (5/16-18 x 21/32")	1	1
18		1071676	Fastener, Spring Grip	1	1
19		1021091	Stud (5/16-18 x 1-3/4")	1	2
20		1027097	Plug Button, Black (3/4")	1	2
21		1101934-NLA	NLA - Tube, Right	1	1
21		1101935-NLA	NLA - Tube, Left	1	1
22		1101930	Grip, Handle, Black	1	1
23	G	1101932-NLA	NLA - Cover, Tube, Chrome (10 - 12" W)	1	1
23	G	1021353-NLA	NLA - Cover, Tube, Chrome (14 - 15" W)	1	1
23	G	1021088-NLA	NLA - Cover, Tube, Chrome (16 - 19" W)	1	1
24		1021092	Knob, Black	1	2
25	A	1101936-NLA	NLA - Bar, Adjustable, Spreader, Chrome (10 - 12" W)	1	1
25	A	1052597-NLA	NLA - Bar, Adjustable, Spreader, Chrome (14 - 15" W)	1	1
25	A	1021276-NLA	NLA - Bar, Adjustable, Spreader, Chrome (16 - 19" W)	1	1
25	A,F	8881181933	Bar, Adjustable, Spreader, Color (10 - 12" W)	1	1
25	A,F	8881181932	Bar, Adjustable, Spreader, Color (14 - 15" W)	1	1
25	A,F	8881181931	Bar, Adjustable, Spreader, Color (16 - 19" W)	1	1
26	B	1102013	Recliner Assembly - Right	1	1
26	B	1102014	Recliner Assembly - Left	1	1
27	E	1102015	Recliner Back Assembly - Right	1	1
27	E	1102016	Recliner Back Assembly - Left	1	1

Recliner Back

Item Number	Note	Part Number	Description	Quantity Per	
				Package	Assembly
	C,D	1098443	Spacer, Tube (9/16 x 5/8 x 1/2")	1	1
	D	1054595-NLA	NLA - Headrest Extension Tube Assembly, Black	1	2
	D,H	8881181852	Headrest Extension Tube Assembly, Color	1	2
<p>NOTE: A - Includes items 19-24. B - Includes items 1-4, 11, 15 - 18. C - Tube spacer is placed over non-threaded end of Locking Rod (item #14) before inserting into Tube & Cap Weldment (item #13). D - Not Shown. E - Includes items 1-16. F - Specify 71P Flat Black when ordering. G - The Color Tube Cover is not available for color frame models. Must order item #25 as a replacement. H - Specify 71P Silver Vein when ordering.</p>					