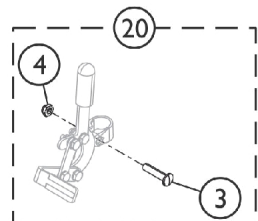
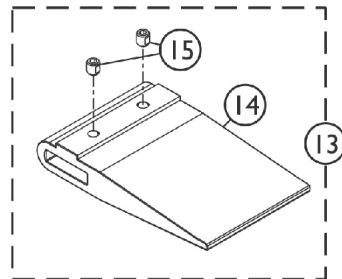
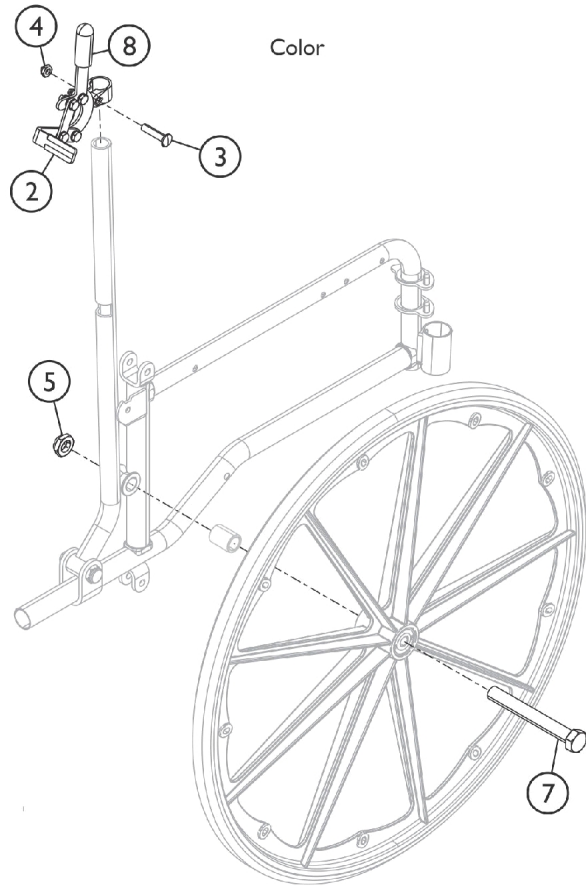
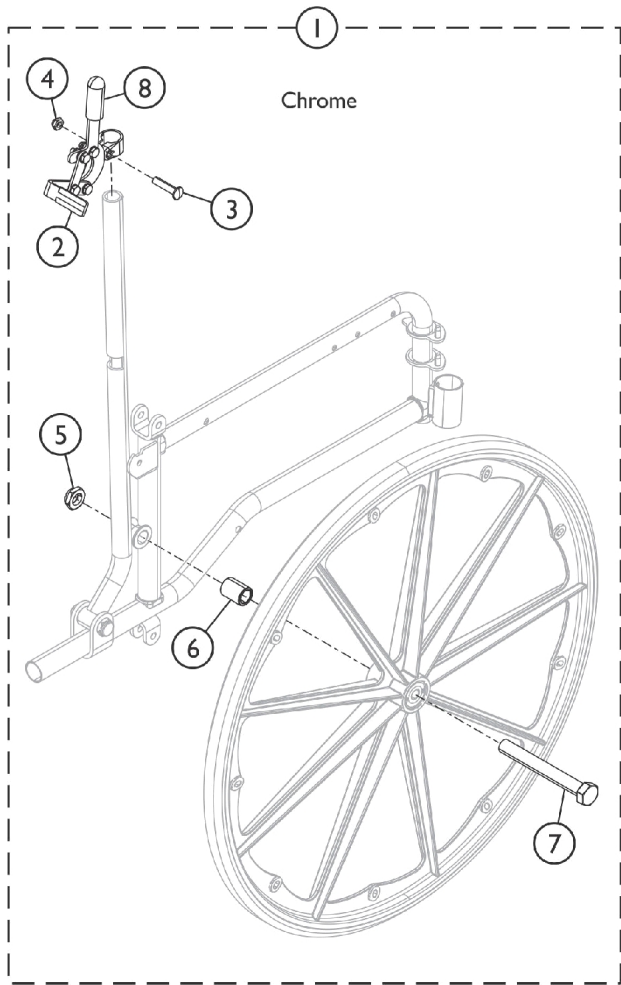


Attendant Operated Wheel Locks

STD, Convention Arm, 9RC



SSM_003A

Attendant Operated Wheel Locks STD, Convention Arm, 9RC

Item Number	Note	Part Number	Description	Quantity Per	
				Package	Assembly
1	A,C	1078349	Kit, Wheel Lock Assembly, Black - Right	1	1
2			Wheel Lock Assembly w/o Hardware, Black- Left	1	1
3			Bolt, Lug (5/16-24 x 1-3/8")	1	1
4			Locknut (5/16-24)	1	1
5			Locknut (5/8-18)	1	1
6			NLA - Spacer	1	1
7			NLA - Screw, Hex Head (5/8-18 x 5")	1	1
8			Tip, Rubber Wheel Lock Handle, Black	1	1
			Instruction Sheet, Attendant Operated Wheel Lock	1	1
1	A,C	1078348	Kit, Wheel Lock Assembly, Black - Left	1	1
2			Wheel Lock Assembly w/o Hardware, Black- Right	1	1
3			Bolt, Lug (5/16-24 x 1-3/8")	1	1
4			Locknut (5/16-24)	1	1
5			Locknut (5/8-18)	1	1
6			NLA - Spacer	1	1
7			NLA - Screw, Hex Head (5/8-18 x 5")	1	1
8			Tip, Rubber Wheel Lock Handle, Black	1	1
			Instruction Sheet, Attendant Operated Wheel Lock	1	1
13	B	1037421	Kit, Wheel Lock Shoe Spacer, 20" Rear Wheels (Pair)	1	1
14			Spacer, Wheel Lock Shoe (2-63/64")	1	2
15			Screw, Set Socket Cup Point (#8-32 x 3/16")	1	4
13	B	1037422	Kit, Wheel Lock Shoe Spacer, 22" Rear Wheels (Pair)	1	1
14			Spacer, Wheel Lock Shoe (1-45/64")	1	2
15			Screw, Set Socket Cup Point (#8-32 x 3/16")	1	4
20	D	1030987	Hardware, Wheel Lock Attaching	1	1
3			Bolt, Lug (5/16-24 x 1-3/8")	1	2
4			Locknut (5/16-24)	1	2
2	E	1181875	Wheel Lock Assembly w/o Hardware, Black- Right	1	1
2	E	1181876	Wheel Lock Assembly w/o Hardware, Black- Left	1	1
3		11232X009	Bolt, Lug (5/16-24 x 1-3/8")	1	1
4		60264X001	Locknut (5/16-24)	1	1
5		60030X000	Locknut (5/8-18)	1	1
7		1028554-NLA	NLA - Screw, Hex Head (5/8-18 x 5")	1	1
8		47376X024	Tip, Rubber Wheel Lock Handle, Black	1	1

NOTE: A - Includes items 2 - 8 and Instruction Sheet.
B - Includes items 14 and 15.
C - Instruction sheet not shown in illustration.
D - Includes items 3 and 4.
E - Requires installation instructions part number 1078344, visit www.invacare.com for more details.