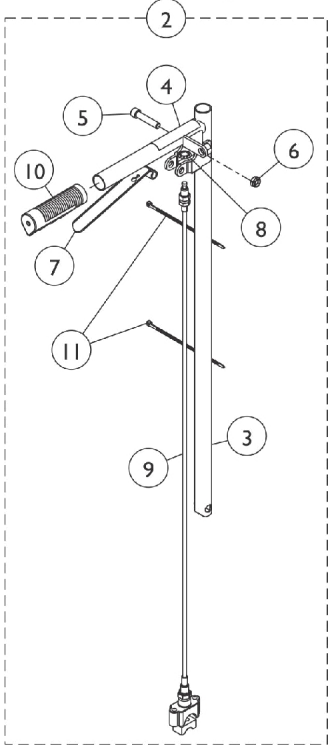


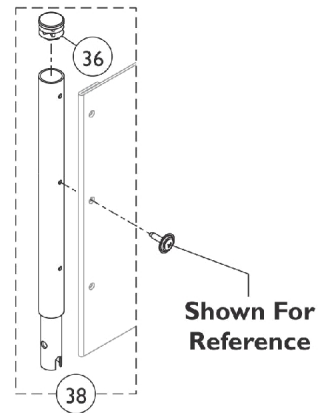
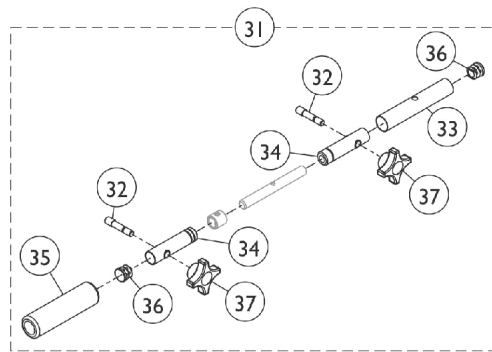
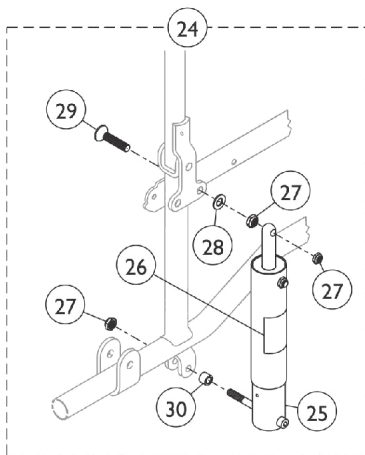
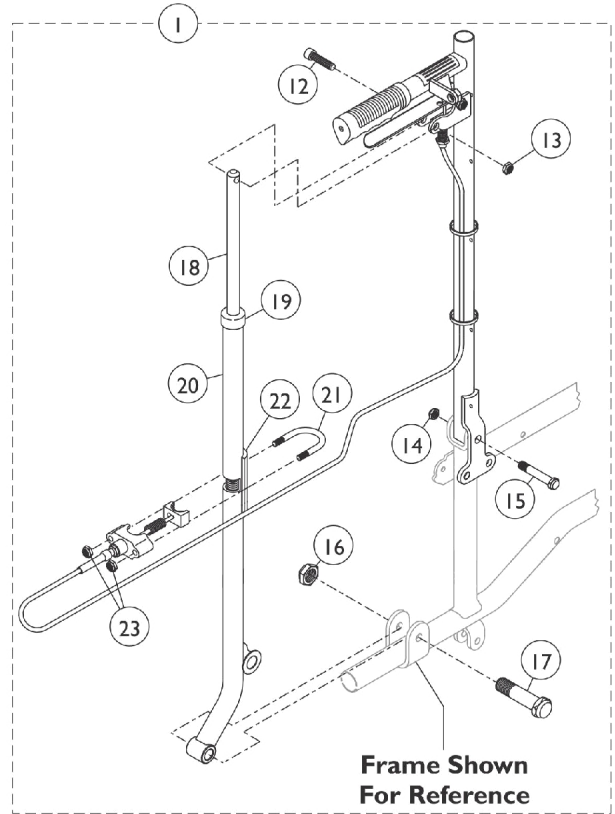
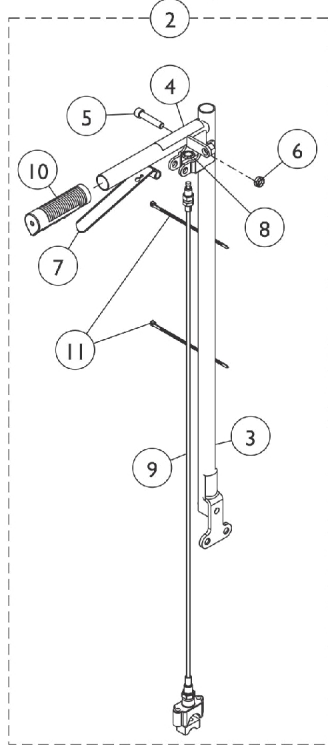
Back Canes and Hardware

9000XT Recliner

Back Tube Assembly Without Lift Option



Back Tube Assembly With Lift Option



Back Canes and Hardware 9000XT Recliner

Item Number	Note	Part Number	Description	Quantity Per	
				Package	Assembly
1	D,J,Q	1074477-NLA	NLA - Recliner Back Assembly w/ Lift Option, Chrome (23" H) (Pair)	2	1
1	D,K,Q	1142778-NLA	NLA - Recliner Back Assembly w/ Lift Option, Black (23" H) (Pair)	2	1
1	D,M,N	8881180815	Recliner Back Assembly w/ Lift Option, Color (23" H) (Pair)	1	1
1	D,J,P,R	1074482-NLA	NLA - Recliner Back Assembly w/o Lift Option, Chrome (23" H) (Pair)	2	1
1	D,K,R	1142779-NLA	NLA - Recliner Back Assembly w/o Lift Option, Black (23" H) (Pair)	2	1
1	D,M,N	8881180810	Recliner Back Assembly w/o Lift Option, Color (23" H) (Pair)	1	1
2	A	1074475-NLA	NLA - Back Tube w/ Cable Assembly, Chrome - Right	1	1
3			Back Tube, Black - Right	1	1
4			Label, Caution	1	1
5			Screw, Socket Head (5/16-18 x 1-1/2")	1	1
6			Locknut (5/16-18)	1	1
7			Lever, Brake Release, Black	1	1
8			Fastener, Spring Grip	1	1
9			Cable Assembly	1	1
9			Nut, Hex (5/16"-18)	1	2
9			Housing, Support	1	1
9			NLA - Spring, Compression (27/64 x 1 x 3/64")	1	1
9			NLA - Sector, Threaded	1	1
9			Tubing, Heatshrink Adhesive (1-1/2")	1	1
9			NLA - Nut, Swivel (5/16-18 x 21/32")	1	1
10			Grip, Hand (6")	1	1
11			Tie Wrap (5-5/8" L)	1	2
2	A	1074476	NLA - Back Tube w/ Cable Assembly, Chrome - Left	1	1
3			Back Tube, Chrome - Left	1	1
4			Label, Caution	1	1
5			Screw, Socket Head (5/16-18 x 1-1/2")	1	1
6			Locknut (5/16-18)	1	1
7			Lever, Brake Release, Black	1	1
8			Fastener, Spring Grip	1	1
9			Cable Assembly	1	1
9			Nut, Hex (5/16"-18)	1	2
9			Housing, Support	1	1
9			NLA - Spring, Compression (27/64 x 1 x 3/64")	1	1
9			NLA - Sector, Threaded	1	1
9			Tubing, Heatshrink Adhesive (1-1/2")	1	1
9			NLA - Nut, Swivel (5/16-18 x 21/32")	1	1
10			Grip, Hand (6")	1	1
11			Tie Wrap (5-5/8" L)	1	2
2	B	1074480	NLA - Back Tube w/ Cable Assembly, Chrome - Right	1	1

Back Canes and Hardware 9000XT Recliner

Item Number	Note	Part Number	Description	Quantity Per	
				Package	Assembly
3			Back Tube, Chrome - Right	1	1
4			Label, Caution	1	1
5			Screw, Socket Head (5/16-18 x 1-1/2")	1	1
6			Locknut (5/16-18)	1	1
7			Lever, Brake Release, Black	1	1
8			Fastener, Spring Grip	1	1
9			Cable Assembly	1	1
9			Nut, Hex (5/16"-18)	1	2
9			Housing, Support	1	1
9			NLA - Spring, Compression (27/64 x 1 x 3/64")	1	1
9			NLA - Sector, Threaded	1	1
9			Tubing, Heatshrink Adhesive (1-1/2")	1	1
9			NLA - Nut, Swivel (5/16-18 x 21/32")	1	1
10			Grip, Hand (6")	1	1
11			Tie Wrap (5-5/8" L)	1	2
2	B	1074481	NLA - Back Tube w/ Cable Assembly, Chrome - Left	1	1
3			Back Tube, Chrome - Left	1	1
4			Label, Caution	1	1
5			Screw, Socket Head (5/16-18 x 1-1/2")	1	1
6			Locknut (5/16-18)	1	1
7			Lever, Brake Release, Black	1	1
8			Fastener, Spring Grip	1	1
9			Cable Assembly	1	1
9			Nut, Hex (5/16"-18)	1	2
9			Housing, Support	1	1
9			NLA - Spring, Compression (27/64 x 1 x 3/64")	1	1
9			NLA - Sector, Threaded	1	1
9			Tubing, Heatshrink Adhesive (1-1/2")	1	1
9			NLA - Nut, Swivel (5/16-18 x 21/32")	1	1
10			Grip, Hand (6")	1	1
11			Tie Wrap (5-5/8" L)	1	2
5		1021344	Screw, Socket Head (5/16-18 x 1-1/2")	1	1
6		60290X002	Locknut (5/16-18)	1	1
7		1021085	Lever, Brake Release, Black	1	1
8		1071676	Fastener, Spring Grip	1	1
9	C	1074471	Cable and Housing Assembly	1	1
			Cable Assembly	1	1
			Nut, Hex (5/16"-18)	1	2
			Housing, Support	1	1
			NLA - Spring, Compression (27/64 x 1 x 3/64")	1	1
			NLA - Sector, Threaded	1	1
			Tubing, Heatshrink Adhesive (1-1/2")	1	1
			NLA - Nut, Swivel (5/16-18 x 21/32")	1	1
10		1021261	Grip, Hand (6")	1	1
11		1021260	Tie Wrap (5-5/8" L)	1	2
12		1021343	Screw, Socket Head (5/16-18 x 1-1/4")	1	1

Back Canes and Hardware 9000XT Recliner

Item Number	Note	Part Number	Description	Quantity Per	
				Package	Assembly
13		60290X002	Locknut (5/16-18)	1	1
14		60264X001	Locknut (5/16-24)	1	1
15	A	1044762	Bolt, Pivot (5/16-24 x 1-7/8")	1	1
15	B	1074647	Bolt, Pivot (5/16-24)	1	1
16		1001979	Locknut (1/2-20)	1	1
17		1044195	Bolt, Pivot (1/2-20 x 1-3/4")	1	1
18		1042736	Rod, Locking	1	1
19		1024221	Anti-Rattle, Black	1	1
20		1070961-NLA	NLA - Tube, Recliner, Chrome	1	1
20	L	1142776-NLA	NLA - Tube, Recliner, Black	1	1
21		1023328	U-Bolt (1/4-20 x 1-13/16")	1	1
22		1023329-NLA	NLA - Plate Support	1	1
23		1008882	Locknut (1/4-20)	1	2
24	E	1034176	Kit, Lift (Pair)	2	1
25		1021338	Spring and Housing Assembly	1	1
26		1022642	Label, Warning	1	1
27		60290X002	Locknut (5/16-18)	1	3
28		40157X000	Washer, Steel (11/32 x 5/8 x 3/64")	1	1
29		1021337-NLA	NLA - Screw, Socket Flat Head (5/16-18 x 1-1/2")	1	1
30		47330X003	Spacer (5/16 x 1/2 x 3/8")	1	1
31	I	1052597-NLA	NLA - Bar, Adjustable, Spreader, Chrome (14 - 15" W)	1	1
31	I,S	8881181932	Bar, Adjustable, Spreader, Color (14 - 15" W)	1	1
31	I	1021276-NLA	NLA - Bar, Adjustable, Spreader, Chrome (16 - 19" W)	1	1
31	I,S	8881181931	Bar, Adjustable, Spreader, Color (16 - 19" W)	1	1
31	I	1026736-NLA	NLA - Bar, Adjustable, Spreader, Chrome (20 - 22" W)	1	1
31	I,S	8881181987	Bar, Adjustable, Spreader, Color (20 - 22" W)	1	1
32		1021091	Stud (5/16-18 x 1-3/4")	1	2
33		See Chart	Item #33 Adjustment Tube	1	1
34	F	1021353-NLA	NLA - Cover, Tube, Chrome (14 - 15" W)	1	1
34	G,H	1021088-NLA	NLA - Cover, Tube, Chrome (16 - 19" W)	1	1
35	F	1016298	Grip, Push Handle	1	1
35	G,H	1016254	Grip, Push Handle	1	1
36		1027097	Plug Button, Black (3/4")	1	2
37		1021092	Knob, Black	1	2
38	O	1054595-NLA	NLA - Headrest Extension Tube Assembly, Black	1	2
38	N,O	8881181852	Headrest Extension Tube Assembly, Color	1	2

Back Canes and Hardware

9000XT Recliner

NOTE: A - For use on models with a Lift Option. Item #2 is not available for color frame models. Must order item #1
 B - For use on models without a Lift Option. Item #2 is not available for color frame models. Must order item #1
 C - Includes: Housing, Spring, Sector and Hardware.
 D - Includes items 2 and 12-23.
 E - Includes Items 25-30.
 F - 14 - 15" Wide Chairs. Item #34 is not available for color frame models. Must order item #31
 G - 16 - 19" Wide Chairs. Item #34 is not available for color frame models. Must order item #31
 H - 20 - 22" Wide Chairs.
 I - Includes Items 32-37.
 J - Before 3/6/06.
 K - 3/6/06 thru 4/11/13
 L - Black Recliner Tube is only available with item #1 Recliner Back Assembly 8881180810 or 8881180815.
 M - After 4/11/13
 N - Specify 34P Black frame finish when ordering.
 O - Includes item 36.
 P - No Longer Available. Use part #1142779 as a replacement
 Q - No Longer Available. See item #1 8881180815 and order 34P Black frame finish.
 R - No Longer Available. See item #1 8881180810 and order 34P Black frame finish.
 S - Specify 71P Silver Vein frame finish when ordering.

Item #33 Adjustment Tube

Adjustment Tube	14 - 15" Wide	16 - 19" Wide	20 - 22" Wide
Right	1021351-NLA See Note(s) A	1021100-NLA	1026734-NLA
Left	1021352-NLA See Note(s) A	1021101-NLA	1026735

NOTE: A - Part #1021351 and 1021352 are no longer available as service parts individually. Must order item 31 as a replacement.