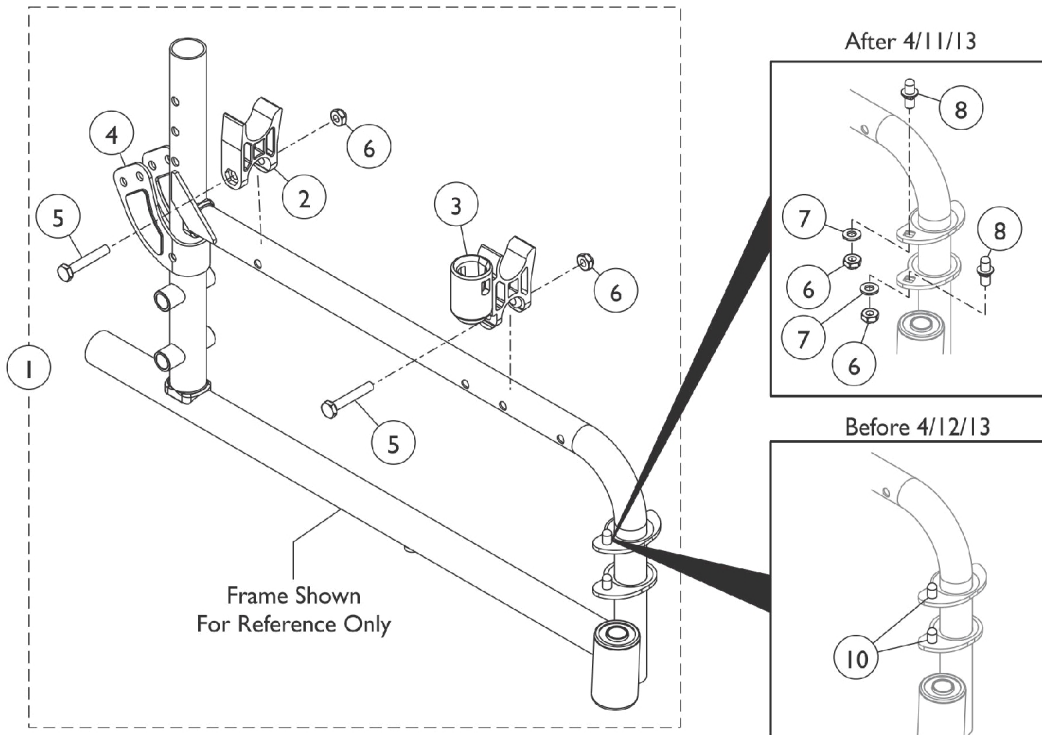
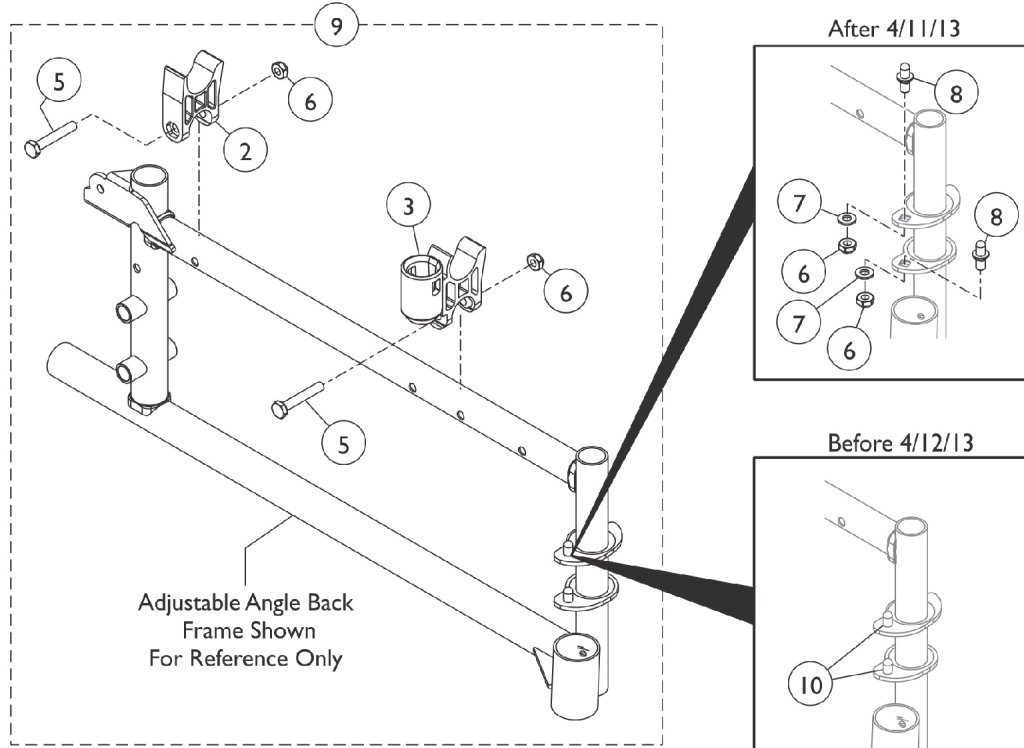


# Frame Hardware - 9000SL



## Frame Hardware - 9000SL

Item Number	Note	Part Number	Description	Quantity Per	
				Package	Assembly
1	A	1091104-NLA	NLA - Kit, Side Frame Hardware, Chrome, (Pair)	1	1
2			H-Block	1	2
3			H-Block with Socket Cup	1	2
4			NLA - Bracket, Armrest, Chrome	1	2
5			Screw, Hex Head (1/4-20 x 1-1/2")	1	2
6			Locknut (1/4-20)	1	2
1	I	1091105	Kit, Side Frame Hardware, Black, (Pair)	1	1
2			H-Block	1	2
3			H-Block with Socket Cup	1	2
4			Bracket, Armrest, Black	1	2
5			Screw, Hex Head (1/4-20 x 1-1/2")	1	4
6			Locknut (1/4-20)	1	4
7			Washer, Plain (1/4 x 1/2 x 9/16")	1	4
8			Pin, Hinge	1	4
9	B	1121091	Kit, Side Frame Hardware (Pair)	1	1
2			H-Block	1	2
3			H-Block with Socket Cup	1	2
5			Screw, Hex Head (1/4-20 x 1-1/2")	1	4
6			Locknut (1/4-20)	1	4
7			Washer, Plain (1/4 x 1/2 x 9/16")	1	4
8			Pin, Hinge	1	4
2	G	1107805	H-Block	1	2
3		1109938	H-Block with Socket Cup	1	2
4	F	1056110-NLA	NLA - Bracket, Armrest, Chrome	1	2
4	F	1066261	Bracket, Armrest, Black	1	2
5		16720X004	Screw, Hex Head (1/4-20 x 1-1/2")	1	4
6		60275X000	Locknut (1/4-20)	1	4
10	J,J1	1096781	Kit, Hinge Pin Replacement Hardware (Pair)	1	1
			NLA - Wrench, Allen (3/32")	1	1
			Cap, Threaded	1	4
			Washer, Locking Split (#10)	1	4
			Screw, Socket Button Head Cap, Regulator (8-32 x 3/8")	1	4
	C,D	1058139	Kit, Armrest Hardware	1	1
			Locknut (1/4-20)	1	1
			Cup, Socket Pivot	1	1
			NLA - Screw, Hex Head (1/4-20 x 1-3/8")	1	1
	C,E	1091072	Hardware, Armrest	1	1
			Spacer, Coved (1/4 x 3/4 x 11/32")	1	4
			NLA - Screw, Socket Button Head (1/4-20 x 1-7/16")	1	2
			Screw, Hex Head (1/4-20 x 1-1/2")	1	4
			Locknut (1/4-20)	1	6

## Frame Hardware - 9000SL

NOTE: A - Includes items 2 - 6.  
B - To be used on 9000SL with Adjustable Angle Back. Includes items 2, 3 and 5 - 8.  
C - Not Shown  
D - To be used on Conventional Style Arms.  
E - To be used on Space Saver Arms.  
F - For attaching hardware, see category titled, "Back Canes and Hardware."  
G - Due to design change, H-Blocks should be ordered in pairs for chairs built before 6/1/02.  
I - Includes items 2 - 8. Hardware is used for color Side Frames also.  
J - Hinge Pin Replacement Hardware Kit is only used on Side Frames w/ welded-on Hinge Pins manufactured before 4/12/13.  
Side Frames after 4/11/13 have Hinge Pin Saddle Plates w/ square holes to attach REMOVABLE Non-Welded Hinge Pins.  
J1 - Side Frames ordered after 4/11/13 require new Side Frame Hardware that will include the removable Hinge Pins also. Removable Hinge Pins are not sold separately.