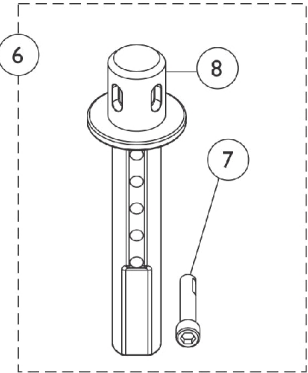
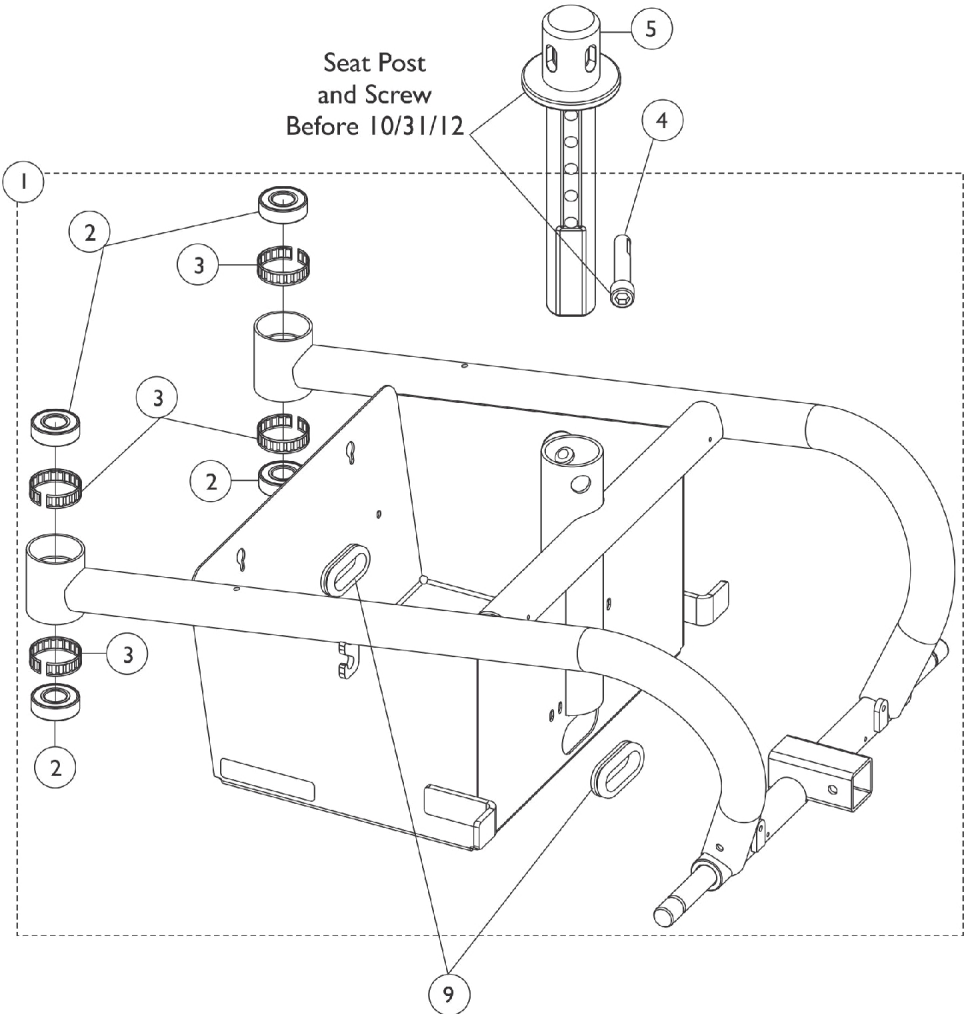


Base Frame Assembly and Seat Post Assembly



Seat Post and Screw After 10/30/12



Base Frame Assembly and Seat Post Assembly

Item Number	Note	Part Number	Description	Quantity Per	
				Package	Assembly
1	A,A1,B	1143826	Frame Assembly, Base, Black	1	1
2		40117X006	Bearing (5/8")	1	4
3		1110717	Ring, Tolerance	1	4
4	C	1124252	Screw, Socket Head w/ Patch (3/8-16 x 2")	1	1
5	C	1143697-NLA	NLA - Post, Seat Pivot	1	1
6	D	1170584	Seat Pivot Post w/ Hardware	1	1
7			Screw, Socket Head w/ Patch (1/2-13 x 2-1/4")	1	1
8			Post, Seat Pivot	1	1
9		1127353	NLA - Grommet, Rubber	1	2

NOTE: A - After 10/30/12 quality improvement was made to the Base Frame Assembly. Seat Post Hardware Screw was changed from 3/8-16 x 2" to 1/2-13 x 2-1/4". When ordering a replacement Base Frame for wheelchairs manufactured before 10/31/12,
A1 - you also must order the new Pivot Post w/ Screw Hardware dated After 10/30/12 to accommodate the 1/2" diameter hole.
B - Includes the Base Frame and items 2 and 3.
C - Used Before 10/31/12 to accommodate a 3/8" diameter hole in the Base Frame Assembly.
D - Used After 10/30/12 to accommodate a 1/2" diameter hole in the Base Frame Assembly. Includes items 7 and 8. Individual components are not saleable