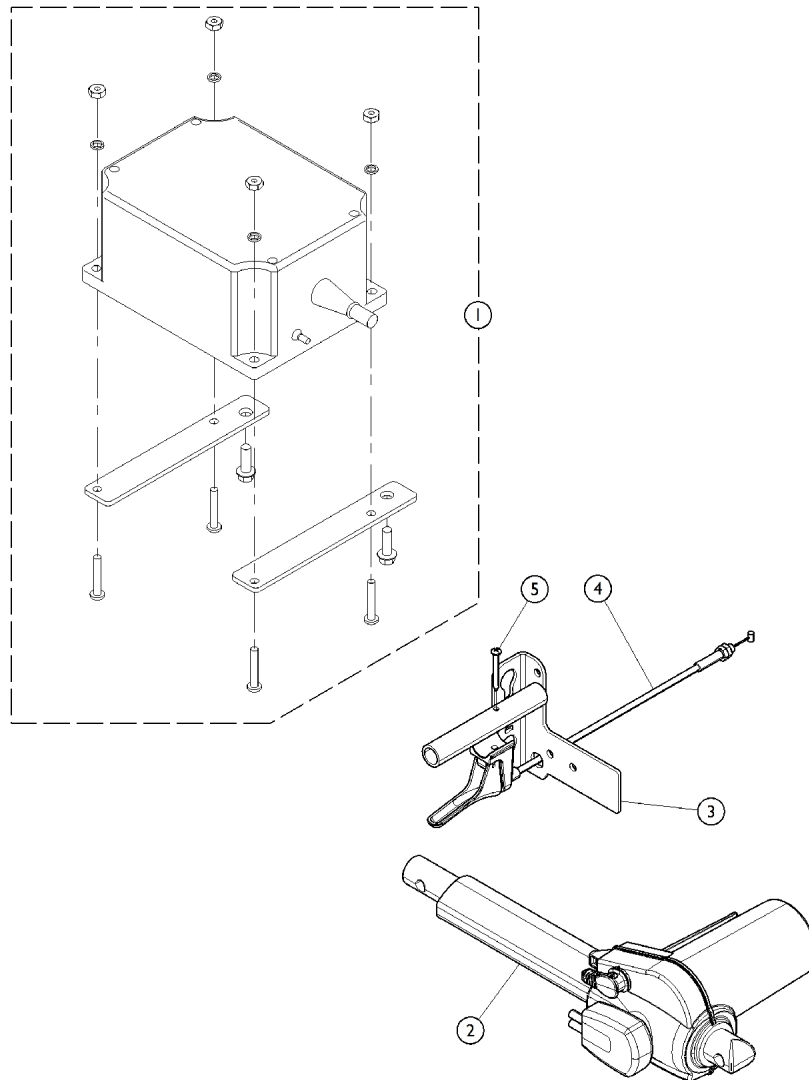


# Miscellaneous Electronics - Battery and Actuators



Item Number	Note	Part Number	Description	Quantity Per	
				Package	Assembly
1	A,B	1175549-NLA	NLA - Battery, On Board Backup w/ Hardware	1	1
1	A	1152564	Battery, On Board Backup w/ Hardware	1	1
2		1147571-NLA	NLA - Actuator, Head w/ CPR Quick Release	1	1
3		1149710-NLA	Bracket, Bed End - Foot (CPR Release Beds)	1	1
4		1147271-NLA	Cable, T, w/ Footboard Staff Control (Long)	1	1
5		1147239-NLA	Screw, CPR Release	1	1

NOTE: A - Kit also includes items 2 - 7.  
 B - 1175549 is NLA. Use item #1 1152564 as a replacement.