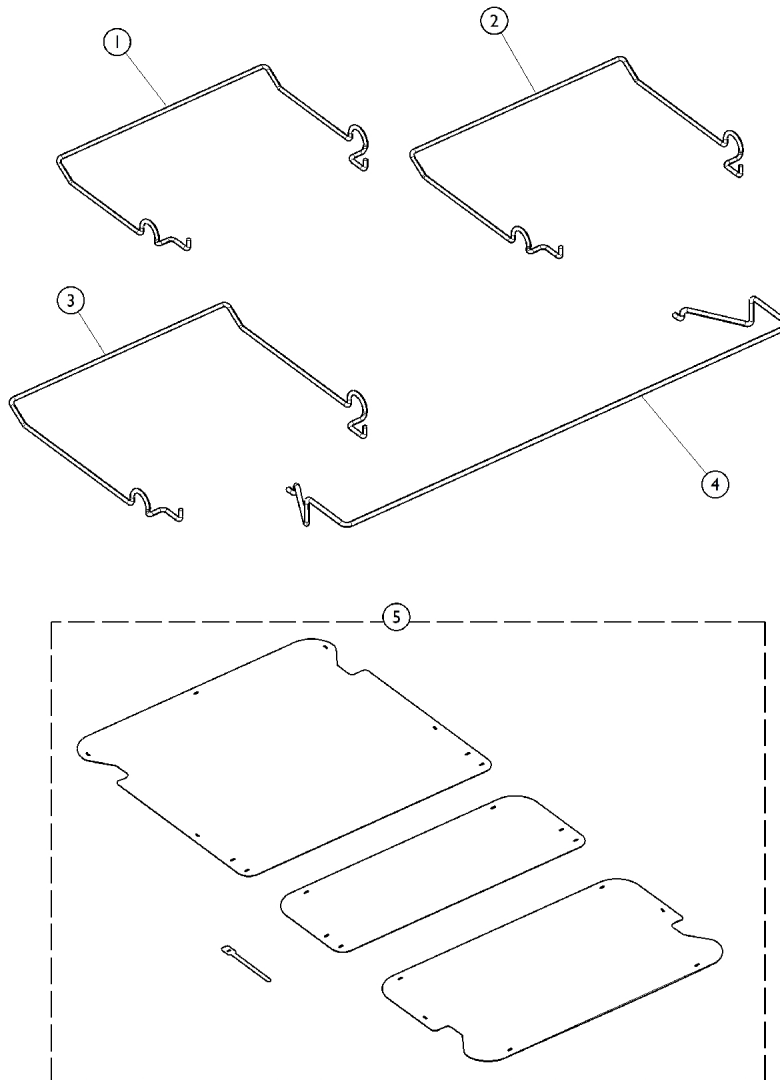


Miscellaneous Options - Decks and Wireforms



Item Number	Note	Part Number	Description	Quantity Per	
				Package	Assembly
1		1152550	Wall Bumper Standard	1	1
2		IHCSWBL	Wall Bumper Long	1	1
3		1157339-NLA	NLA - Wireform, Custom - 80" (15-15/16")	1	1
4		1152549	Keeper, Mattress (36" W)	1	1
4		1159576	Keeper, Mattress (42" W)	1	1
4		1159606-NLA	NLA - Keeper, Mattress (39" W)	1	1
5		1153380-NLA	NLA - Aftermarket Pan Deck Kit	1	1