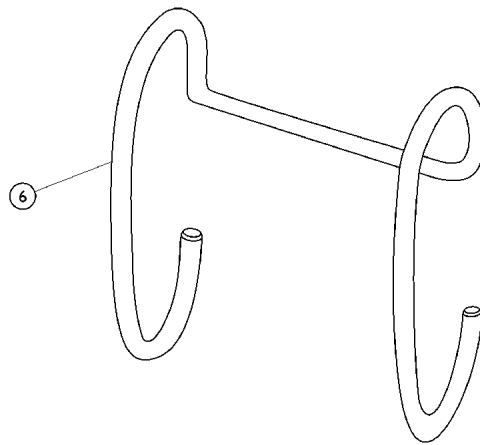
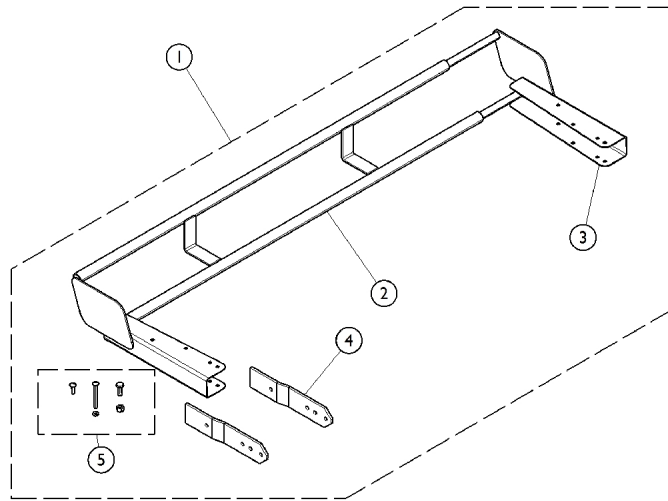


# Miscellaneous Accessories - Extensions and Holder



Item Number	Note	Part Number	Description	Quantity Per	
				Package	Assembly
1	A	IHCSBEK	Four Inch Extension Kit	1	1
6		IHCSDB-NLA	NLA - Drainage Bag Holder	1	1

NOTE: A - Kit includes items 2 - 5. Drawing reference for Model IHCSBEK is 1153769 and User Manual is 1190544.