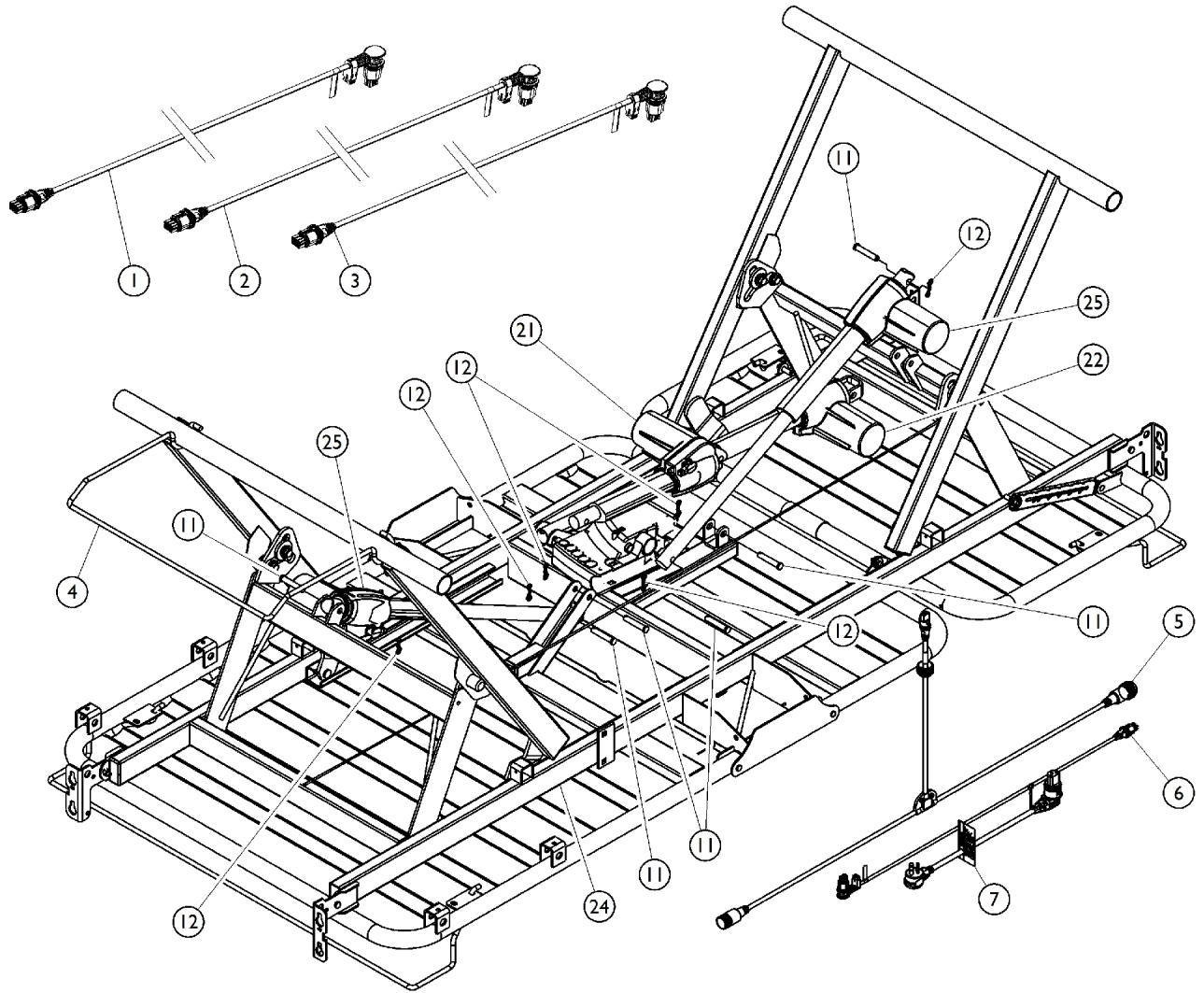


# Wire Assembly



## Wire Assembly

Item Number	Note	Part Number	Description	Quantity Per	
				Package	Assembly
1	A	1116640	Cable, Hi-Lo Motor w/ Red O-Ring (Head End)	1	1
2		1116641	Cable, Head Actuator w/ Blue O-Ring	1	1
3		1116642	Cable, Foot Actuator w/ Yellow O-Ring	1	1
4		1152550	Wall Bumper Standard	1	1
5		1158433	Cable, T, w/o Footboard Staff Control (Standard)	1	1
6		1147601	Cable, Hi/Lo Motor w/ Black O-Ring (Foot End)	1	1
7		1165079	Power Cord	1	1
11		1186864	Clevis Pin (3/8 x 2" L)	1	6
12		PINBOW38-NLA	NLA - Cotter Pin, Bowtie (3/8")	1	6
21		1159613	Actuator, Head (LA27-U041-01)	1	1
22		1147532	Actuator, Foot (LA27-U042-01)	1	1
24		1149706	NLA - Frame, Bed	1	1
25		1142183	Actuator, Hi/Lo (LA27-U061-00)	1	1
		1186883-NLA	NLA - Wrap, Tie (8")	1	12

NOTE: A - Use (2) T-Cables required if using Footboard Staff Control.