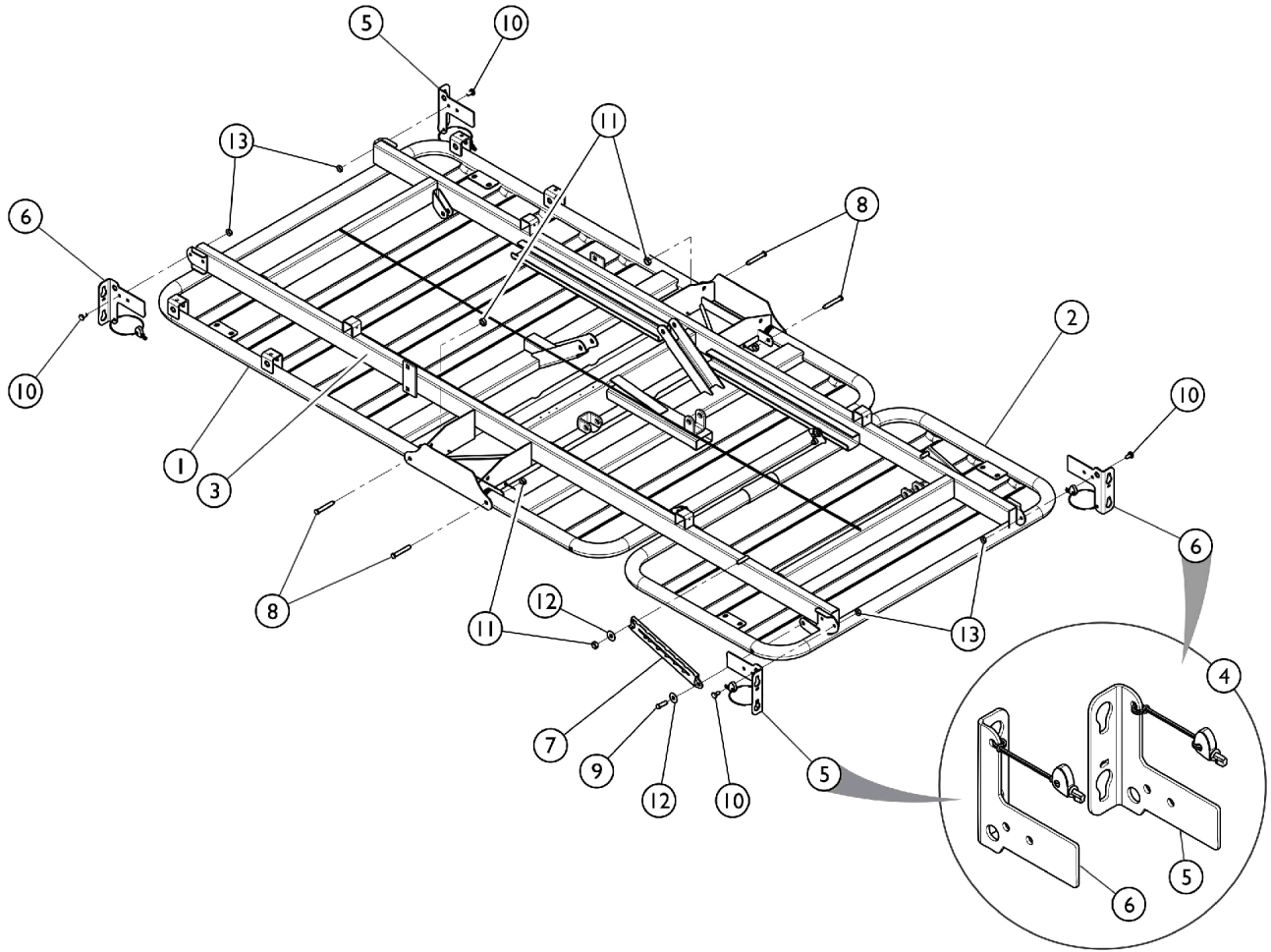


Frame Deck Assembly



Frame Deck Assembly

Item Number	Note	Part Number	Description	Quantity Per	
				Package	Assembly
1		1158933	Head Section, Bed (36" W)	1	1
1		1165156	Head Section, Bed (39" W)	1	1
1		1165158	Head Section, Bed (42" W)	1	1
2	C	1157351	Foot and Thigh Section, Bed (36" W)	1	1
2	A	1165160	Foot and Thigh Section, Bed (39" W)	1	1
2	A	1165162	Foot and Thigh Section, Bed (42" W)	1	1
3		1149706-NLA	NLA - Frame, Bed	1	1
4	B	1159596	Kit, Bracket, Bed End - Foot (Pair)	2	2
5			Bracket, Bed End, Adjustable, Foot - Right	1	1
6			Bracket, Bed End, Adjustable, Foot - Left	1	1
5		1159590	Bracket, Bed End, Adjustable, Foot - Right	1	2
6		1159591	Bracket, Bed End, Adjustable, Foot - Left	1	2
7		1153762	Link, Knee Lift	1	2
8		1147565	Clevis Pin, Deck to Frame (36" W)	1	4
8		1165153	Kit, Deck Hardware (39" W)	1	1
8		1165154	Kit, Deck Hardware (42" W)	1	1
9		PIN51634-NLA	NLA - Pin, Clevis (5/16" x 3/4")	1	2
10		1186877-NLA	NLA - Bolt, Attachment (1/4-20)	1	4
11		1186909-NLA	NLA - Nut, Push (5/16)	1	5
12		1186857-NLA	NLA - Washer, Nylon (3/8 x 3/4 x 1/16")	1	2
13		1186860-NLA	NLA - Lock Nut, Purple Insert (1/4-20)	1	4

NOTE: A - Sent together with (6) NUT516PN.
 B - For Beds built prior to 5/2008, use 1159596 as its replacement. See category "Head and Foot Boards" to order corrects Head and Footboards.
 C - Sent together with Screws (4), Nuts (4), and Washers (2).