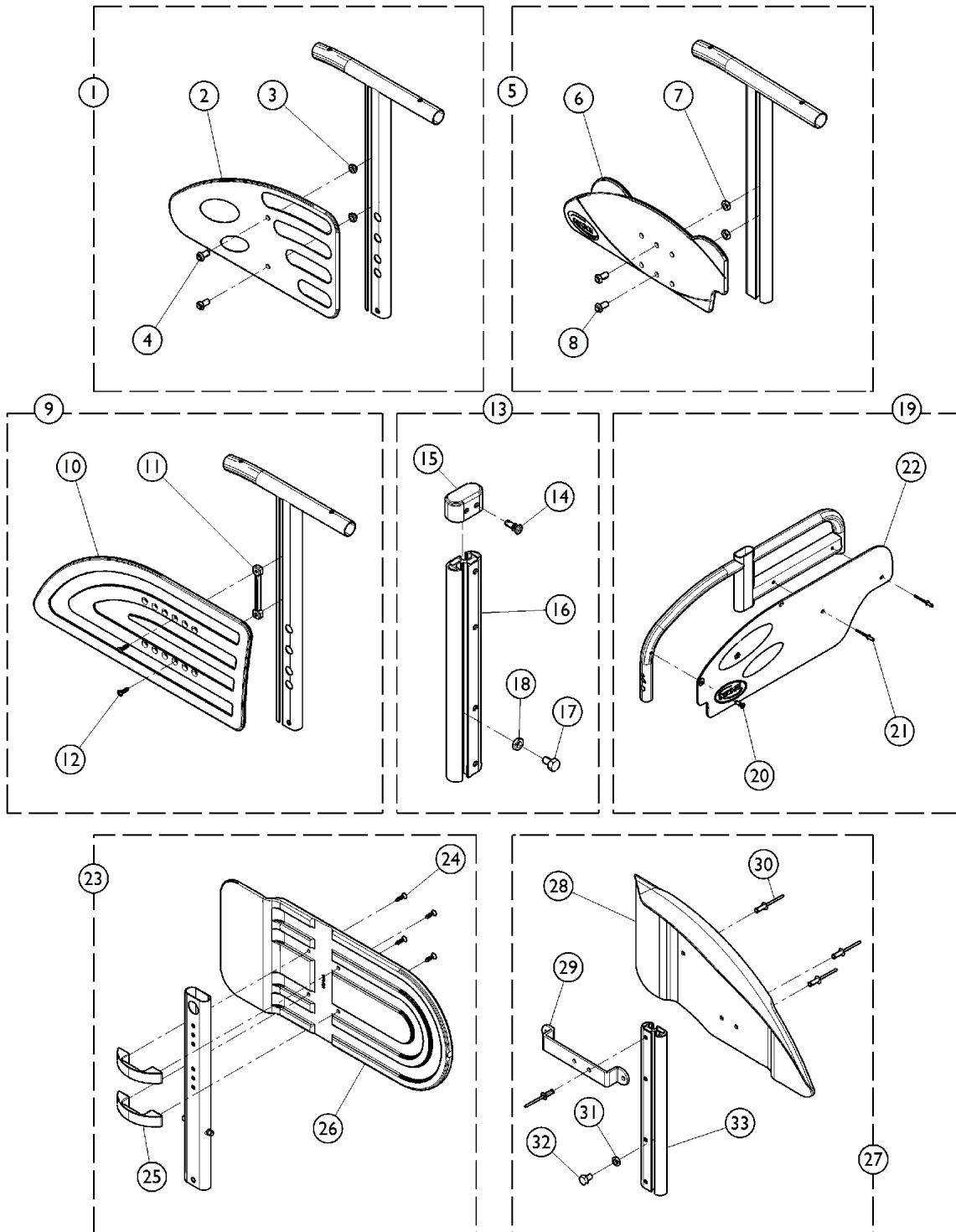


Clothing Guard Kits



Clothing Guard Kits

Item Number	Note	Part Number	Description	Quantity Per	
				Package	Assembly
1	A	1151387	Kit, Clothing Guard w/ Hardware	1	1
2			Guard, Clothing - Right/Left	1	1
3			NLA - Locknut (M6 x 1)	1	2
4			Screw, Socket Button Head (M6 x 1 x 12mm)	1	2
			Nut (M6)	1	2
5	B	1182270	Kit, Clothing Guard w/ Hardware	1	1
6			Guard, Clothing, Junior	1	1
7			Nut (M6)	1	2
8			Screw, Socket Button Head (M6 x 1 x 12mm)	1	2
9	C	1182262	Kit, Clothing Guard w/ Hardware	1	1
10			Guard, Side, Clothing	1	1
11			Nut, Double, Plastic	1	1
12			Screw (M4.2 - 16 8.8)	1	2
13	D	1182268	Kit, Post, Clothing Guard w/ Hardware - Left	1	1
14			Rivet	1	1
15			Cap, Guard Support	1	1
16			Support, Side Guard	1	1
17			Screw (M6 x 1 x 10mm)	1	1
18			Nut (M6)	1	1
13	D	1182274	Kit, Post, Clothing Guard w/ Hardware - Right	1	1
14			Rivet	1	1
15			Cap, Guard Support	1	1
16			Support, Side Guard	1	1
17			Screw (M6 x 1 x 10mm)	1	1
18			Nut (M6)	1	1
19	E	1185944	Kit, Clothing Guard w/ Hardware - Right/Left	1	1
20			Rivet	1	1
21			Rivet, Pop (5 x 10)	1	2
22			Guard, Clothing	1	1
23	F	1430425	Kit, Clothing Guard w/ Hardware	1	1
24			Screw (M4.2 - 16 8.8)	1	4
25			Bracket, Clothing Guard	1	2
26			Guard, Clothing	1	1
27	G	1182275	Kit, Side Guard w/ Bracket - Right	1	1
28			Guard, Side - Right	1	1
29			Plate, Reinforcing	1	1
30			Rivet (4.8mm x 12mm)	1	4
31			Nut (M6)	1	1
32			Screw (M6 x 1 x 10mm)	1	1
33			Support, Side Guard	1	1
27	G	1182276	Kit, Side Guard w/ Bracket - Left	1	1
28			Guard, Side - Left	1	1
29			Plate, Reinforcing	1	1
30			Rivet (4.8mm x 12mm)	1	4
31			Nut (M6)	1	1
32			Screw (M6 x 1 x 10mm)	1	1
33			Support, Side Guard	1	1

Clothing Guard Kits

NOTE: A - Includes items 2, 3, and 4.
B - Includes items 6, 7, and 8.
C - Included items 10, 11, and 12.
D - Includes items 14 - 18.
E - Includes items 20, 21, and 22.
F - Includes items 24, 25, and 26.
G - Includes items 28 - 33.