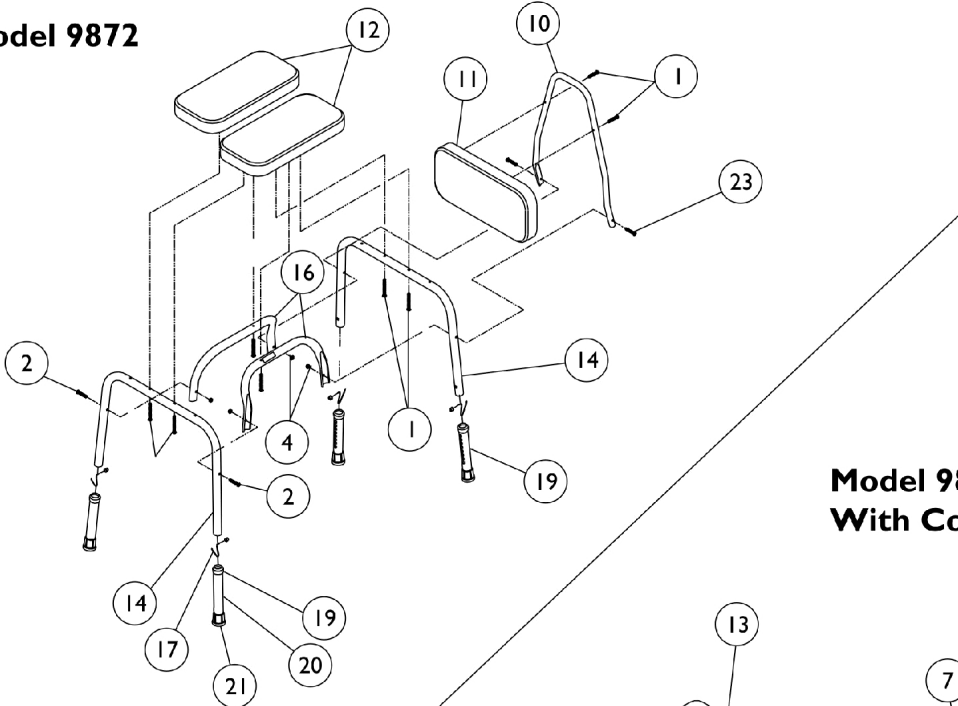


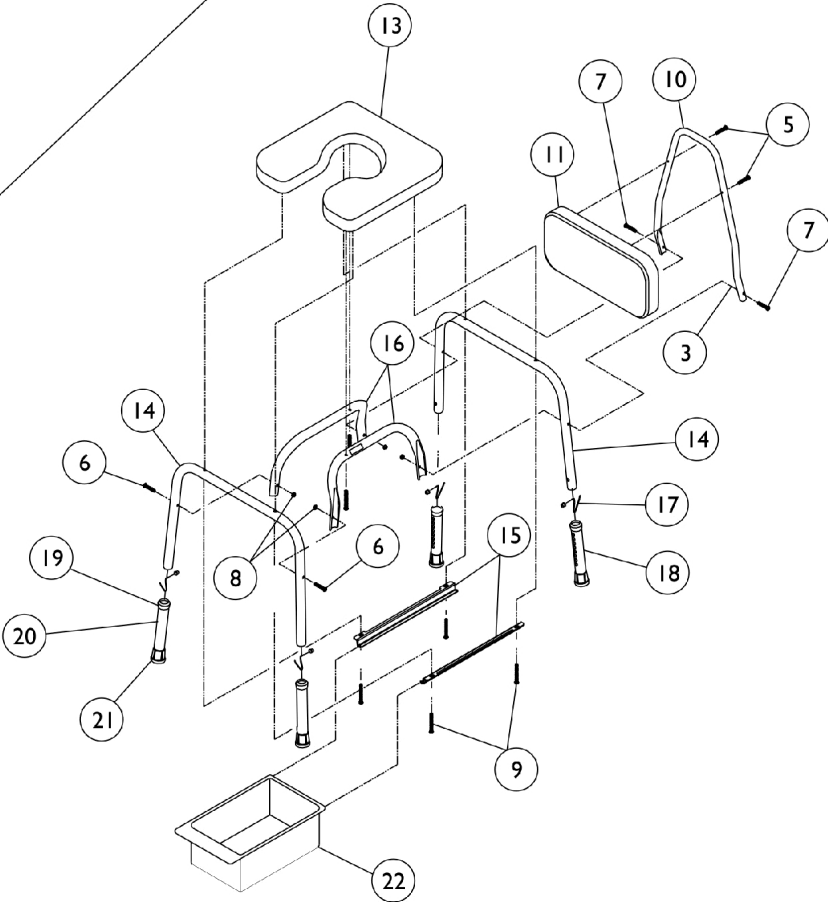
Shower Chair - Vinyl Padding

NOTE: Model 9872C was discontinued on 3/12/03.

Model 9872



**Model 9872C
With Commode**



Shower Chair - Vinyl Padding

NOTE: Model 9872C was discontinued on 3/12/03.

Item Number	Note	Part Number	Description	Quantity Per		
				Package	Assembly	
1	A,D,E	1075930-NLA	NLA - Kit, Hardware	1	1	
			Screw, Slotted Hex Washer Head Tap (#10-16 x 1-1/2")	1	6	
			NLA - Screw, Phillips Pan Head (1/4-20 x 1-1/4")	1	2	
			NLA - Screw, Phillips Pan Head (1/4-20 x 1-1/2")	1	2	
4			Locknut (1/4-20)	1	4	
5	B,D,F	1075931-NLA	NLA - Kit, Hardware	1	1	
			Screw, Slotted Hex Washer Head Tap (#10-16 x 1-1/2")	1	2	
			NLA - Screw, Phillips Pan Head (1/4-20 x 1-1/4")	1	2	
			NLA - Screw, Phillips Pan Head (1/4-20 x 1-1/2")	1	2	
			Locknut (1/4-20)	1	4	
			Screw, Phillips Pan Head (#10-24 x 1-1/2")	1	4	
			1022921	Tube, Back	1	1
			1075184-NLA	NLA - Pad, Back, Vinyl	1	1
			1073264-NLA	NLA - Pad, Seat, Vinyl, Grey	1	2
1075656-NLA	NLA - Pad, Commode, Vinyl, Grey	1	1			
14		1080491	Leg, Chair	1	2	
15		1075045	Holder, Pan	1	2	
15		1044142	Screw, Phillips Pan Head (1/4-20 x 1-3/8")	1	2	
16		1080492	Rail, End	1	2	
17		1094945	Button, Snap	1	4	
18	C	1058806-NLA	NLA - Leg Extension Assembly	1	4	
19		1063124	Anti-Rattle, Grey (1-1/8")	1	4	
20		1022925	Tube, Leg Extension	1	4	
21		1057797	Tip, Rubber, Light Grey (1-1/8")	1	4	
22		1074676	Pan	1	1	
23	A	1115001	Screw, Phillips Pan Head (1/4-20 X 1-5/8")	1	2	

NOTE: A - To be used with Model 9872.
 B - To be used with Model 9872C.
 C - Includes Items 19-21.
 D - Not Shown.
 E - Kit Includes Items 1, 2 and 4, Item 3 used only on the 9872C.
 F - Kit Includes Items 5-9.