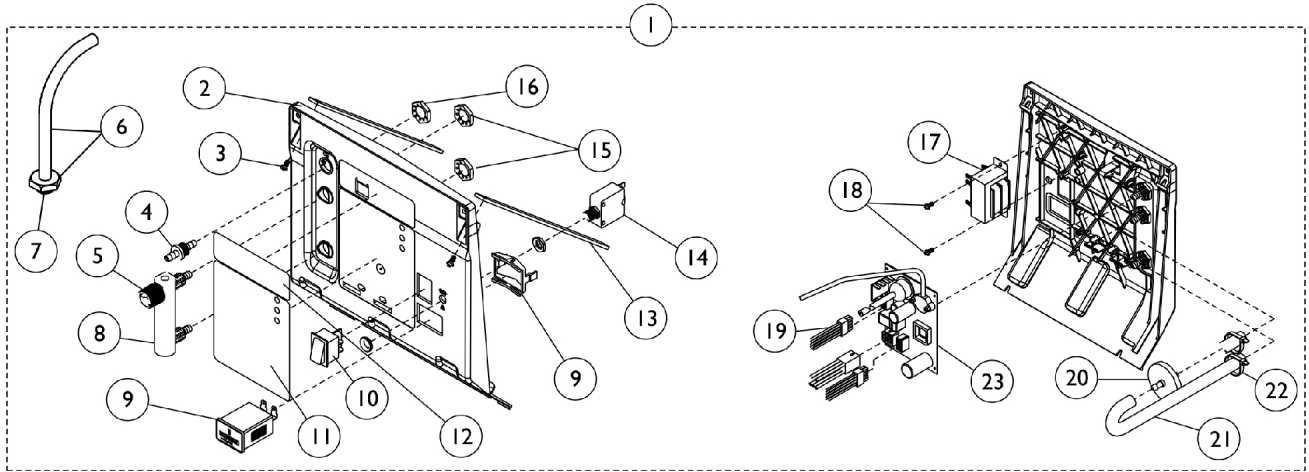
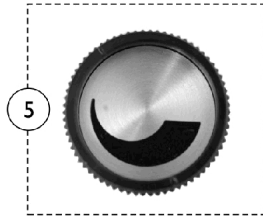


Control Panel and P.C. Board

All Models Except Platinum 5 (After 12/14/00)

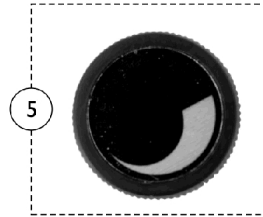


1128379



Used with Flowmeters that have an Indented Phillips Head Screw on top.

1128380



Used with Flowmeters that have a Slotted Head Screw on top.

Control Panel and P.C. Board

All Models Except Platinum 5 (After 12/14/00)

Item Number	Note	Part Number	Description	Quantity Per	
				Package	Assembly
1		1101585-NLA	NLA - Control Panel Assembly - IRC3LX	1	1
1		1101584	Control Panel Assembly - IRC5LX	1	1
1		1101583	Control Panel Assembly - IRC5LX02	1	1
1		1101582	Control Panel Assembly - IRC6LX02/ IRC6LX02H	1	1
2		1081276	Control Panel Only	1	1
3		2003065-NLA	NLA - Screw, Phillips Hex Washer Head (#8-32 x 3/8")	1	2
3		1128404	Screw, Phillips Hex Washer Head (#8-32 x 3/8")	1	2
4		1180107	Connector, Barbed, Brass (1/4")	1	1
5		2001086-NLA	NLA - Knob, Flowmeter	1	1
5	D	1128379-NLA	NLA - Package, Knob, Flowmeter, Silver w/ Black Swish (Pkg. of 10)	10	1
5	E	1128380	Package, Knob, Flowmeter, Black w/ Silver Swish	10	1
6		2000799	Adapter with Tubing for Humidifier Bottle	1	1
7		2000503	Adapter, Humidifier Bottle	1	1
8		2001989-NLA	NLA - Flowmeter with Palnuts - 3 Liter	1	1
8	C	2001773-NLA	NLA - Flowmeter with Palnuts - 5 Liter	1	1
8	B	1110561	Flowmeter without Palnuts - 5 Liter	1	1
8		1074672-NLA	NLA - Flowmeter with Palnuts - 6 Liter	1	1
9		1098707	Hour Meter Assembly with Clip	1	1
10		2001134	Switch, On/Off	1	1
11		1101587-NLA	NLA - Label, Text Control Panel - IRC3LX	1	1
11		1105530-NLA	NLA - Label, Text Control Panel - IRC5LX	1	1
11		1105532-NLA	NLA - Label, Text Control Panel - IRC5LX02	1	1
11		1101586-NLA	NLA - Label, Text Control Panel - IRC6LX02	1	1
12		1101590-NLA	NLA - Label, Logo Control Panel - IRC3LX	1	1
12		1105531-NLA	NLA - Label, Logo Control Panel - IRC5LX, 5LX02	1	1
12		1101588-NLA	NLA - Label, Logo Control Panel - IRC6LX02	1	1
13		1101591	Support, Control Panel	1	2
14		1056554	Circuit Breaker (8 AMP)	1	1
15		2000507	Palnut (9/16-18)	1	2
16		2002674	Palnut (3/8-27)	1	1
17		1085200	Transformer Assembly	1	1
18		1102696	Screw, Phillips Pan Head SEMS (#8-32 x 3/8")	1	2
19		1101620-NLA	NLA - Harness, Wire (24V)	1	1
20		P0750X030	Filter, Patient HEPA Outlet	1	1
21		2000897	Tubing, Tygon (1/4 x 24")	1	1
22		2001682	Tie Wrap (8" L)	1	2
23	A	See Chart	#23 P.C. Boards	1	1

NOTE: A - See P.C. Board Chart.
 B - Palnuts not included. See item 15.
 C - Item no longer available, refer to Part #1110561.
 D - Knob is silver with black "swish". Used on Flowmeters with an Indented Phillips Head Screw on top.
 E - Knob is black with silver "swish". Used on Flowmeters with a Slotted Head Screw on top.

Control Panel and P.C. Board
All Models Except Platinum 5 (After 12/14/00)
#23 P.C. Boards

Model	P.C. Board	Reconditioned P.C. Board
IRC3LX	1078183-NLA	1078183E
IRC5LX	1078183-NLA	1078183E
IRC5LX02	1113693	1113693E-NLA
IRC5LX02T	1079444-NLA	N/A
IRC6LX02	1113693	1113693E-NLA
IRC6LX02T	1079444-NLA	N/A
IRC6LX02H	1113693	1113693E-NLA

All P.C. Boards include an Instruction Sheet.