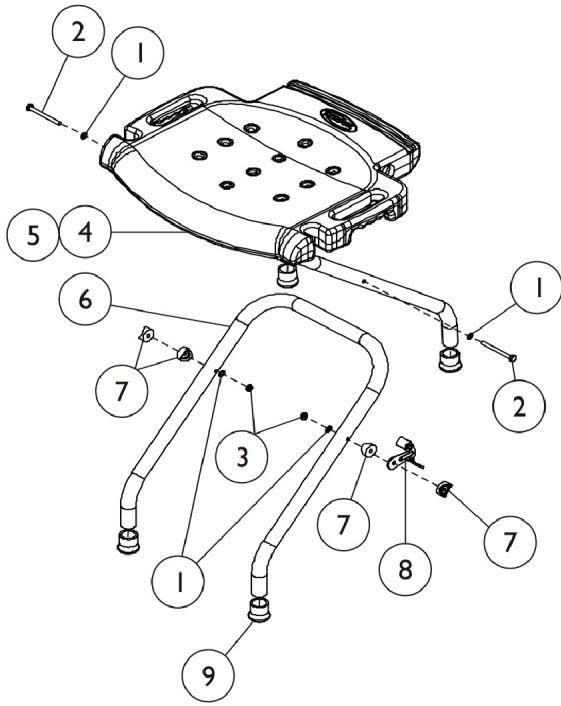
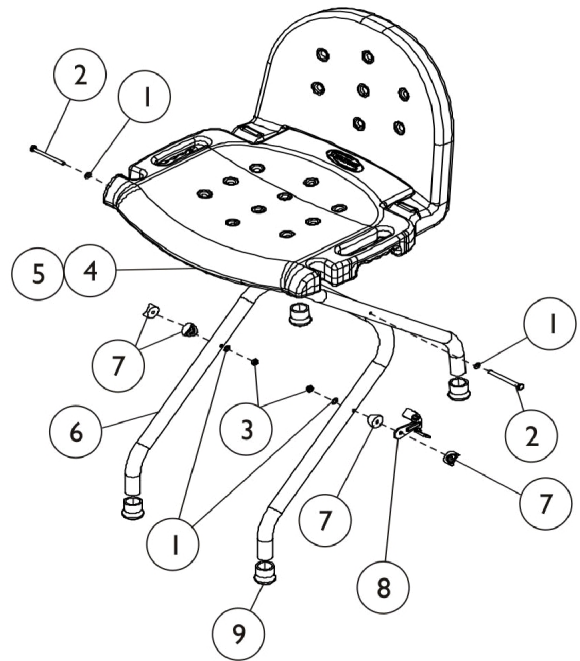


Shower Chair - Folding

**Model 9980
Without Back**



**Model 9981
With Back**



Shower Chair - Folding

Item Number	Note	Part Number	Description	Quantity Per		
				Package	Assembly	
1	A,B	1090450-NLA	NLA - Kit, Hardware	1	1	
2			NLA - Washer, Flat (1/4 x 1/2 x 1/16")	1	2	
3			Screw, Hex Head (1/4-20 x 2-3/4")	1	1	
4				Locknut (1/4-20)	1	1
5			1093112	Screw, Phillips Pan Head (1/4-1/8 x 3/4")	1	1
6			1026104-NLA	NLA - Spacer	1	1
7			1092405	Leg, Inside	1	1
8			1093609	Washer, Coved (1/4 x 1 x 1/2")	1	4
9			1092403	Bracket, Pivot Stop	1	1
		40186X030	Tip, Rubber, Grey (1")	1	4	
NOTE: A - Not Shown. B - Kit Includes 1-3.						