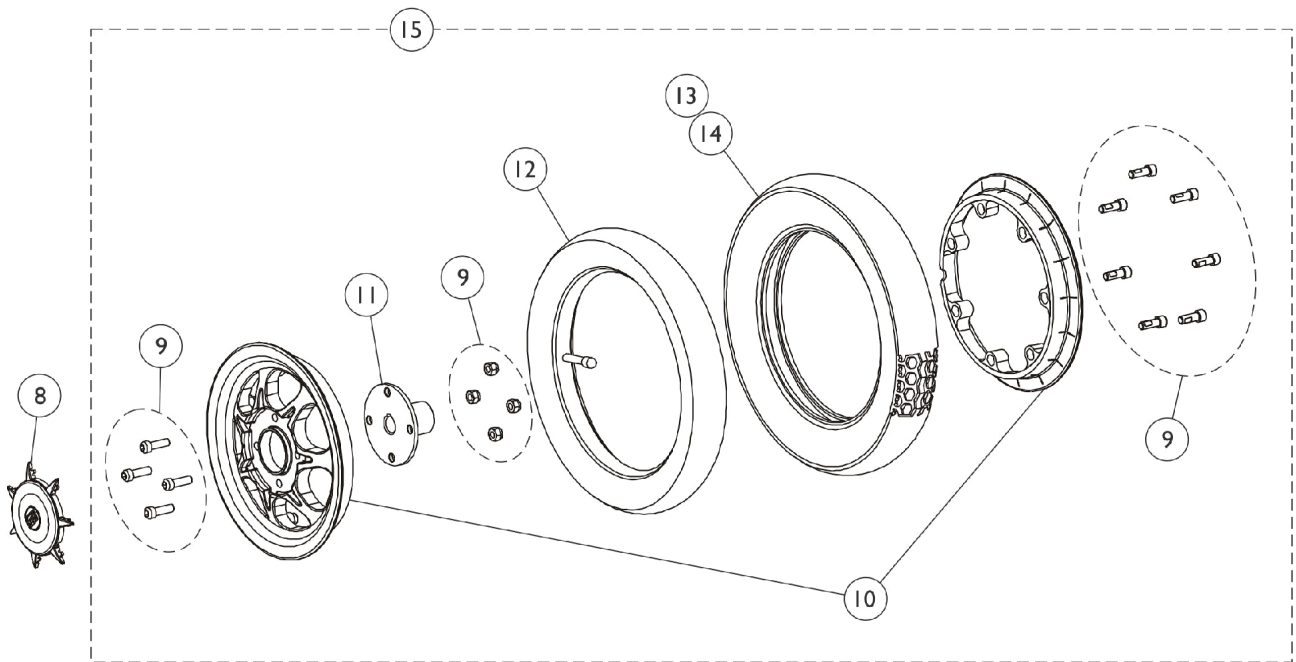
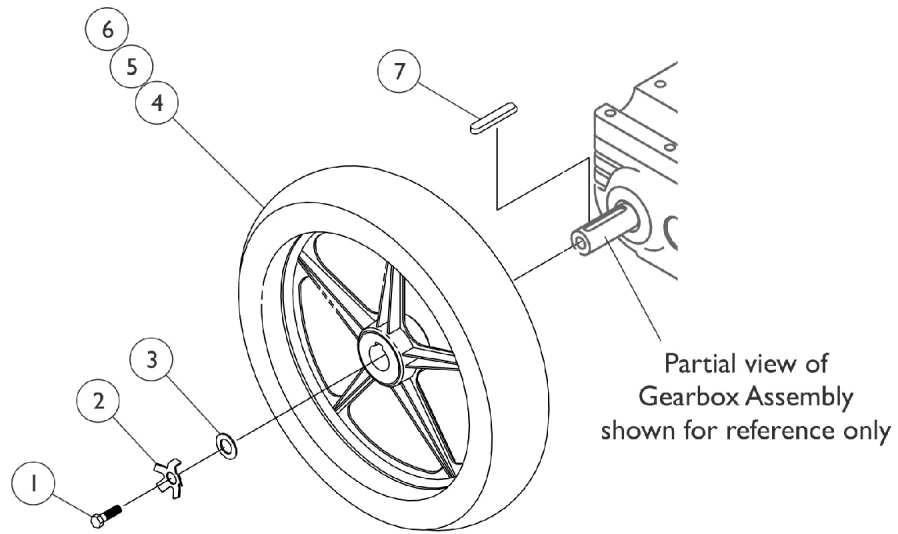


Drive Wheel and Mounting Hardware For 2-Pole and 4-Pole Motors



Split Rim Drive Wheel

Drive Wheel and Mounting Hardware For 2-Pole and 4-Pole Motors

Item Number	Note	Part Number	Description	Quantity Per	
				Package	Assembly
1		1023260	Screw (M8 x 1.25 x 20mm)	1	1
2		1064179	Kit, Locking Tab Washer w/ Instruction Sheet (Pair)	2	1
3		1079247	Washer, Flat (21/64 x 53/64 x 7/64")	1	1
4	C	1064178-NLA	NLA - Drive Wheel Assembly, 5 Spoke, Pneumatic (12-1/2 x 2-1/4") Includes: Locking Tab Washer with Instruction Sheet	1	1
4	C	1064177	Drive Wheel Assembly, 5 Spoke w/ Foam Fill Insert (12-1/2 x 2-1/4") Includes: Locking Tab Washer with Instruction Sheet	1	1
5		1011524	Tire, Pneumatic, Grey (12-1/2" x 2-1/4")	1	1
6		1011525	Tube, Inner, Black (12-1/2 x 2-1/4")	1	1
7		1023264	Key (6mm x 6mm x 40mm)	1	1
8	E	1122835	Cap, Hub, Spoke	1	1
9		1123137	Drive Wheel Hardware, Hub and 2-Piece Rim (12-1/2 x 2-1/4") Consists of: 4 ea. Screw, Socket Head Cap (5/16-24 x 1") 4 ea. Locknut (5/16-24) 7 ea. Screw, Socket Head Cap (1/4-20 x 1")	1	1
10		1123138	Rim Assembly, Inner/Outer (12-1/2 x 2-1/4")	1	1
11		1122196	Hub, Wheel	1	1
12		1011525	Tube, Inner, Black (12-1/2 x 2-1/4")	1	1
13		1011524	Tire, Pneumatic, Grey (12-1/2" x 2-1/4")	1	1
14		1122837	Tire w/ Foam Fill Insert, Grey (12-1/2" x 2-1/4")	1	1
15	A,D	1122836	Drive Wheel Assembly, 7 Spoke, Pneumatic (12-1/2 x 2-1/4")	1	1
15	B,D	1122838	Drive Wheel Assembly, 7 Spoke with Foam Fill Insert (12-1/2 x 2-1/4")	1	1

NOTE: A - Includes items 9-13
 B - Includes items 9-11 and 14
 C - These wheels are standard production on the Nutron
 D - The split rim wheel is offered as an Off Chair option only, it is not offered On Chair. When split rim wheel is ordered, item 8 Hub Cap must be ordered as well.
 E - Hub cap must be ordered when item 15 wheel is ordered.