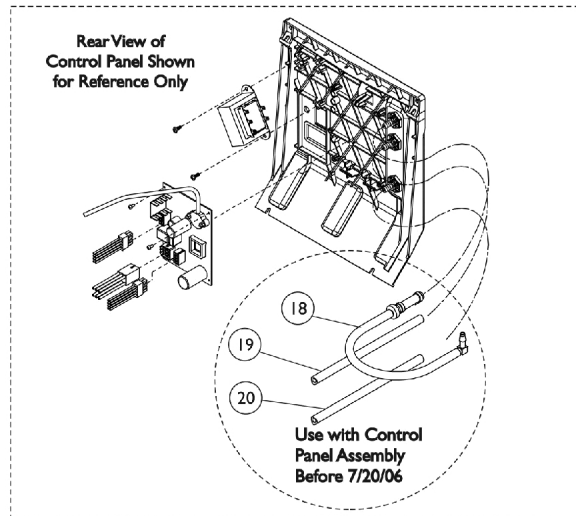
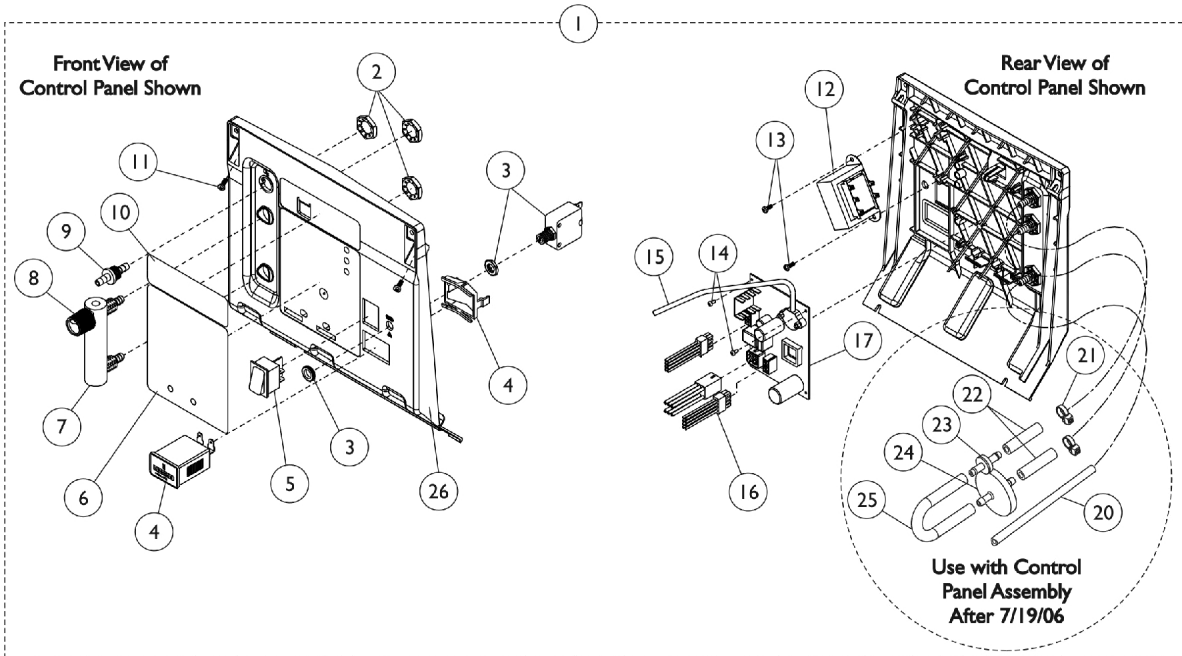
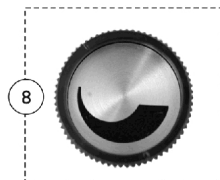


Control Panel and P.C. Board (Platinum 5 Models) After 12/5/02

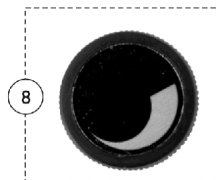


1128379



Used with Flowmeters that have an Indented Phillips Head Screw on top.

1128380



Used with Flowmeters that have a Slotted Head Screw on top.

Control Panel and P.C. Board (Platinum 5 Models) After 12/5/02

| Item Number | Note | Part Number | Description | Quantity Per | |
|-------------|------|--------------|--|--------------|----------|
| | | | | Package | Assembly |
| 1 | C | 1115189-NLA | NLA - Control Panel Assembly - IRC5LX | 1 | 1 |
| 1 | D | 1115190-NLA | NLA - Control Panel Assembly - IRC5LX02 | 1 | 1 |
| 2 | | 2000507 | Palnut (9/16-18) | 1 | 3 |
| 3 | | 1056554 | Circuit Breaker (8 AMP) | 1 | 1 |
| 4 | | 1098707 | Hour Meter Assembly with Clip | 1 | 1 |
| 5 | | 2001134 | Switch, On/Off | 1 | 1 |
| 6 | | 1108820-NLA | NLA - Label, Text Control Panel - IRC5LX | 1 | 1 |
| 6 | L | 1143243 | Label, Control Panel, English | 1 | 1 |
| 7 | B | 2001773-NLA | NLA - Flowmeter with Palnuts - 5 Liter | 1 | 1 |
| 7 | | 1110561 | Flowmeter without Palnuts - 5 Liter | 1 | 1 |
| 8 | H | 1128379-NLA | NLA - Package, Knob, Flowmeter, Silver w/ Black Swish (Pkg. of 10) | 10 | 1 |
| 8 | G | 1128380 | Package, Knob, Flowmeter, Black w/ Silver Swish | 10 | 1 |
| 9 | | 1180107 | Connector, Barbed, Brass (1/4") | 1 | 1 |
| 10 | F | 1123239-NLA | NLA - Decal, Logo, Control Panel | 1 | 1 |
| 11 | | 2003065-NLA | NLA - Screw, Phillips Hex Washer Head (#8-32 x 3/8") | 1 | 2 |
| 11 | | 1128404 | Screw, Phillips Hex Washer Head (#8-32 x 3/8") | 1 | 2 |
| 12 | | 1085200 | Transformer Assembly | 1 | 1 |
| 13 | | 1102696 | Screw, Phillips Pan Head SEMS (#8-32 x 3/8") | 1 | 2 |
| 14 | | 2001902-NLA | NLA - Screw, Phillips Pan Head (#4-40 x 1/4") | 1 | 2 |
| 15 | | 1076275 | Tubing, Tygon (1/8 x 18") | 1 | 1 |
| 16 | | 1108737 | Harness, Wire, 10 Pin | 1 | 1 |
| 17 | C | 1108720-NLA | NLA - LXN PCB Assembly | 1 | 1 |
| 17 | C | 1108720E-NLA | NLA - WARR RPLMT - LXN PCB Assembly | 1 | 1 |
| 17 | D | 1108731-NLA | NLA - ISBN PCB Assembly | 1 | 1 |
| 17 | D | 1108731E-NLA | NLA - WARR RPLMT - ISBN PCB Assembly | 1 | 1 |
| 18 | A,K | 1110779-NLA | NLA - Tubing Assembly, Check Valve Discharge | 1 | 1 |
| 19 | K | 1108815-NLA | NLA - Tubing, Silicon (1/4 x 16-1/4") | 1 | 1 |
| 20 | | 1108809 | Tubing, PVC (1/4 x 12-3/4") | 1 | 1 |
| 21 | I,J | 2001682 | Tie Wrap (8" L) | 1 | 2 |
| 22 | I,J | 1110473 | Tubing, PVC (1/4 x 1-3/4") | 1 | 2 |
| 23 | I,J | 2000436 | Check Valve, Barb (5/16") | 1 | 1 |
| 24 | I,J | P0750X030 | Filter, Patient HEPA Outlet | 1 | 1 |
| 25 | I,J | 1143144 | Tubing, PVC (1/4 x 5") | 1 | 1 |
| 26 | | 1081276 | Control Panel Only | 1 | 1 |

NOTE: A - Includes (2) Tubing, Check Valve, Elbow and Tie Wrap.
B - Item no longer available, refer to Part #1110561.
C - To be used on model IRC5LX. Part #1108720 is NLA. See part #1108720E as a replacement.
D - To be used on model IRC5LX02.
F - After 4/13/04.
G - Knob is black with silver "swish". Used on Flowmeters with a Slotted Head Screw on top.
H - Knob is silver with black "swish". Used on Flowmeters with an Indented Phillips Head Screw on top.
I - "After 7/19/06" the location of the HEPA Filter has changed. The HEPA Filter is now located inside the cabinet.
J - For use with Control Panel Assembly "After 7/19/06."
K - For use with Control Panel Assembly "Before 7/20/06."
L - For IRC5LX02