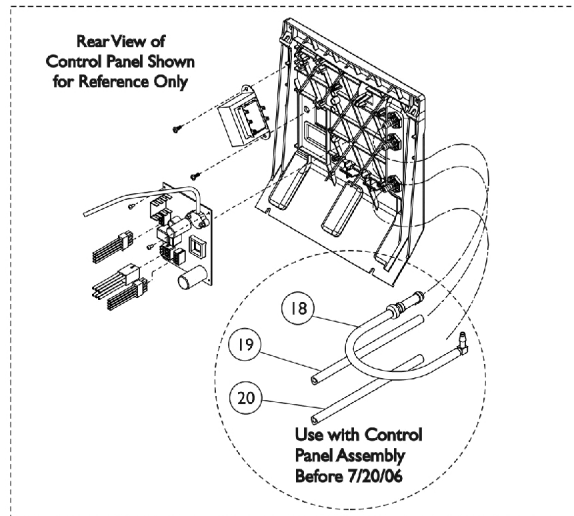
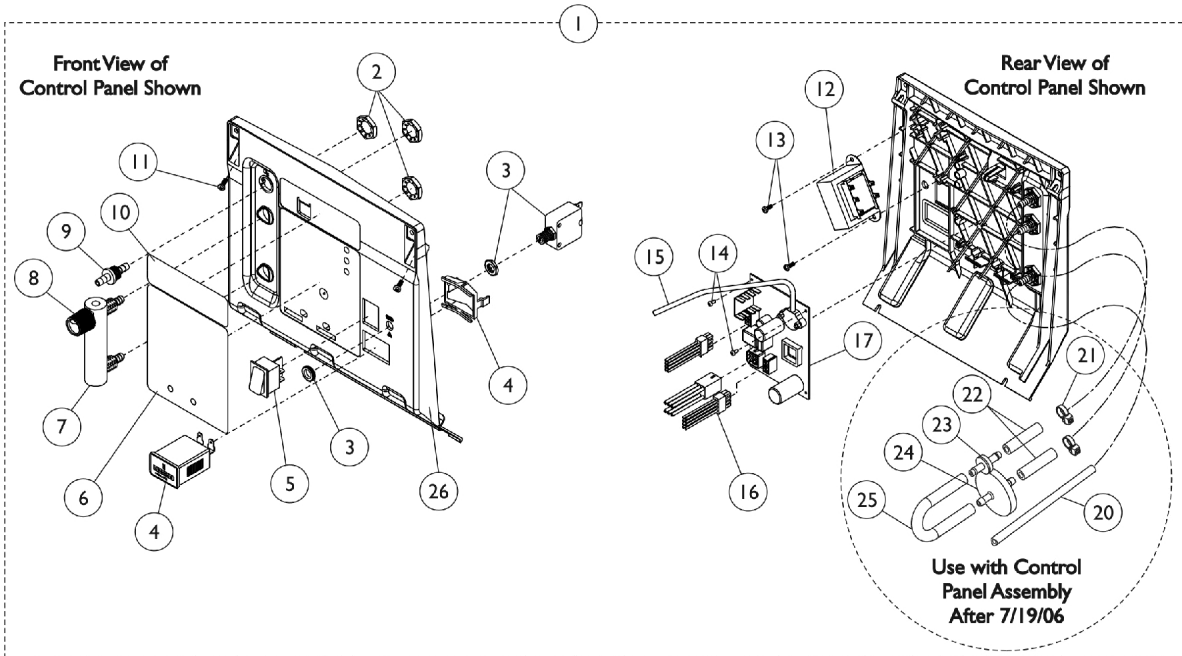
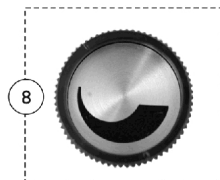


Control Panel and P.C. Board (Platinum 5 Models) Before 12/5/02

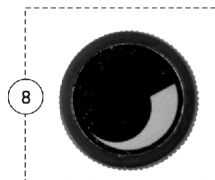


1128379



Used with Flowmeters that have an Indented Phillips Head Screw on top.

1128380



Used with Flowmeters that have a Slotted Head Screw on top.

Control Panel and P.C. Board (Platinum 5 Models) Before 12/5/02

Item Number	Note	Part Number	Description	Quantity Per	
				Package	Assembly
1	J	1110784-NLA	NLA - Control Panel Assembly - IRC5LX	1	1
1		1115189-NLA	NLA - Control Panel Assembly - IRC5LX	1	1
1	I	1106693-NLA	NLA - Control Panel Assembly - IRC5LX02	1	1
1	I	1115190-NLA	NLA - Control Panel Assembly - IRC5LX02	1	1
2		2000507	Palnut (9/16-18)	1	3
3		1056554	Circuit Breaker (8 AMP)	1	1
4		1098707	Hour Meter Assembly with Clip	1	1
5		2001134	Switch, On/Off	1	1
6		1105530-NLA	NLA - Label, Text Control Panel - IRC5LX	1	1
6		1105532-NLA	NLA - Label, Text Control Panel - IRC5LX02	1	1
7	F	2001773-NLA	NLA - Flowmeter with Palnuts - 5 Liter	1	1
7		1110561	Flowmeter without Palnuts - 5 Liter	1	1
8	G	1128379-NLA	NLA - Package, Knob, Flowmeter, Silver w/ Black Swish (Pkg. of 10)	10	1
8	H	1128380	Package, Knob, Flowmeter, Black w/ Silver Swish	10	1
9		1180107	Connector, Barbed, Brass (1/4")	1	1
10	D,N	See Note	See Footnote	1	1
10	E	1123239-NLA	NLA - Decal, Logo, Control Panel	1	1
11		2003065-NLA	NLA - Screw, Phillips Hex Washer Head (#8-32 x 3/8")	1	2
11		1128404	Screw, Phillips Hex Washer Head (#8-32 x 3/8")	1	2
12		1085200	Transformer Assembly	1	1
13		1102696	Screw, Phillips Pan Head SEMS (#8-32 x 3/8")	1	2
14		2001902-NLA	NLA - Screw, Phillips Pan Head (#4-40 x 1/4")	1	2
15		1076275	Tubing, Tygon (1/8 x 18")	1	1
16		1110481-NLA	NLA - Harness, Wire, 9 Pin	1	1
17	B,C	1078183-NLA	NLA - P.C. Board Replacement LX	1	1
17	B,C	1113693	P.C. Board, LX02	1	1
18	A,M	1110779-NLA	NLA - Tubing Assembly, Check Valve Discharge	1	1
19	M	1108815-NLA	NLA - Tubing, Silicon (1/4 x 16-1/4")	1	1
20		1108809	Tubing, PVC (1/4 x 12-3/4")	1	1
21	K,L	2001682	Tie Wrap (8" L)	1	2
22	K,L	1110473	Tubing, PVC (1/4 x 1-3/4")	1	2
23	K,L	2000436	Check Valve, Barb (5/16")	1	1
24	K,L	P0750X030	Filter, Patient HEPA Outlet	1	1
25	K,L	1143144	Tubing, PVC (1/4 x 5")	1	1
26		1081276	Control Panel Only	1	1

Control Panel and P.C. Board (Platinum 5 Models) Before 12/5/02

NOTE: A - Includes (2) Tubing, Check Valve, Elbow and Tie Wrap.
B - Includes Item 15 and Instruction Sheet.
C - Before 11/19/02.
D - Before 4/14/04.
E - After 4/13/04.
F - Item no longer available, refer to Part #1110561. Palnuts must be ordered separately, refer to Part #2000507 in a quantity of 2.
G - Knob is silver with black "swish". Used on Flowmeters with an Indented Phillips Head Screw on top.
H - Knob is black with silver "swish". Used on Flowmeters with a Slotted Head Screw on top.
I - Item no longer available.
J - Item no longer available, refer to Part #1115189.
K - "After 7/19/06" the location of the HEPA Filter has changed. The HEPA Filter is now located inside the cabinet.
L - For use with Control Panel Assembly "After 7/19/06."
M - For use with Control Panel Assembly "Before 7/20/06."
N - No longer available as a service part in the field.