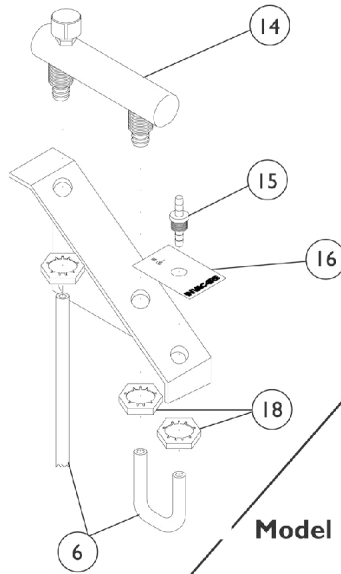
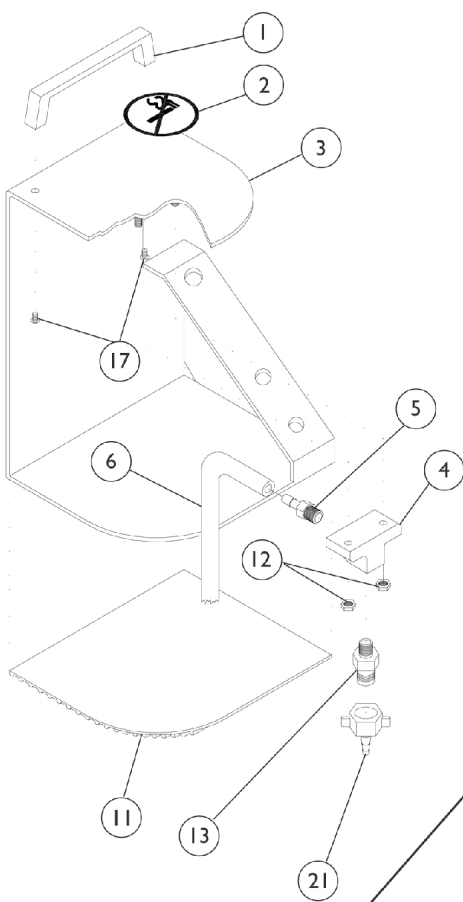


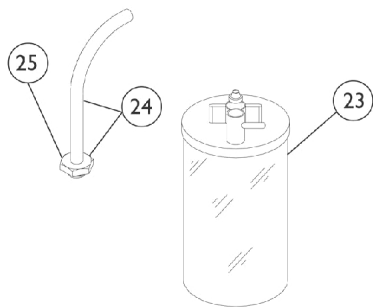
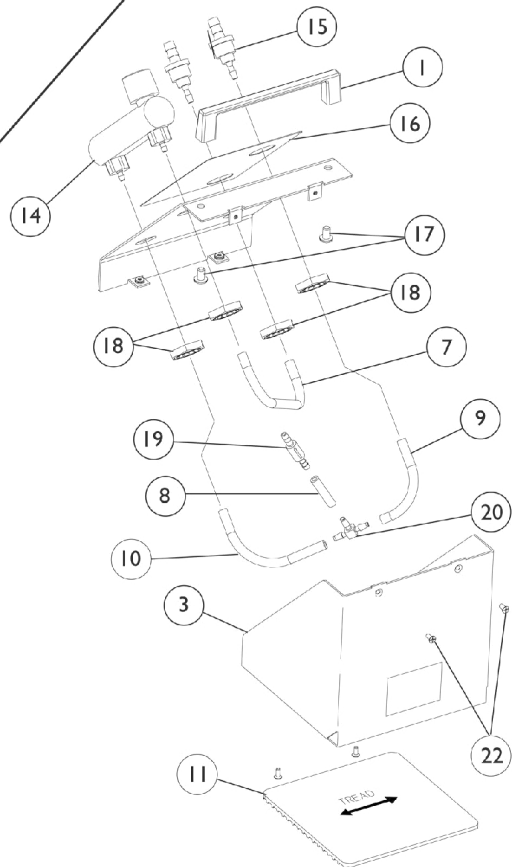
# Remote Flowmeters

## IRCRF5 - Adult, IRCPF16 - Pediatric

Model IRCRF5 - Adult



Model IRCPF16 - Pediatric



## Remote Flowmeters

### IRCRF5 - Adult, IRCPF16 - Pediatric

Item Number	Note	Part Number	Description	Quantity Per	
				Package	Assembly
1		2001208	Handle, Flowmeter Stand, Chrome	1	1
2		2001206-NLA	NLA - Label, No Smoking	1	1
3	D	2003080	Stand, Flowmeter	1	1
4	B	2001207-NLA	NLA - Stand, Flowmeter	1	1
5		2001202-NLA	NLA - Fitting, Tee	1	1
6		1141758-NLA	NLA - Tubing, Silicone (1/4 x 16")	1	1
7		1073266-NLA	NLA - Hose, Silicone (1/8 x 6")	1	1
8		1180032	Hose, Silicone (1/4 x 1")	1	1
9		1073268-NLA	NLA - Hose, Silicone (1/8 x 2-13/16")	1	1
10		1073269-NLA	NLA - Hose, Silicone (1/8 x 3-5/16")	1	1
11	D	2003074	Mat, Rubber	1	1
11	B	1079652	Mat, Rubber	1	1
12		1026031-NLA	NLA - Nut, Hex with Nylon Cap (#10-32)	1	1
13		2001198-NLA	NLA - Fitting, Barbed (9/16-18 x 1/8")	1	1
14	D	2001103	Flowmeter	1	1
14	B,C	2001896-NLA	NLA - Flowmeter	1	1
15	D	2001288	Fitting, Barbed with Palnut (1/8")	1	1
15	B	1180107	Connector, Barbed, Brass (1/4")	1	1
16	D	2003075	Decal, Logo, Ped	1	1
16	B	2001210-NLA	NLA - Decal, Logo, In.	1	1
17		1018138	Screw, Socket Button Head (#10-24 x 1/4")	1	1
18		2000507	Palnut (9/16-18)	1	4
19		2001879-NLA	NLA - Restrictor, Barbed (1/8")	1	1
20		2001098	Tee, Single Barbed (1/8")	1	1
21		P0955X030-NLA	NLA - Connector, Humidifier Bottle	1	1
22		1067973	Screw, Phillips Flat Head (4-40 x 3/8")	1	4
23		1155719	Bottle, Humidifier	1	1
24		2000799	Adapter with Tubing for Humidifier Bottle	1	1
25		2000503	Adapter, Humidifier Bottle	1	1
	A	2001219	Carton	1	1
	A,D	2001105	Instruction Manual, Pediatric Flowmeter IRCPF16	1	1
	A,B	2001222-NLA	NLA - Instruction Sheet, Remote Flowmeter IRCRF5	1	1
	A,D	1071207	Tubing, Oxygen Supply (7' L)	1	1
	A,D	2003110	Tubing, Oxygen Supply (21' L)	1	1
	A,B	2001221-NLA	NLA - Tubing, Oxygen Supply (50' L)	1	1
	A,D	1071275-NLA	NLA - Kit, Set-Up Pediatric Flowmeter	1	1
			Tubing, Oxygen Supply (21' L)	1	1
			Tubing, Oxygen Supply (7' L)	1	2
			NLA - Connector, Tubing	1	1
			Adapter, Humidifier Bottle	1	1
			Instruction Manual, Pediatric Flowmeter IRCPF16	1	1

NOTE: A - Not Shown.  
 B - Adult.  
 C - Includes item 18.  
 D - Pediatric.