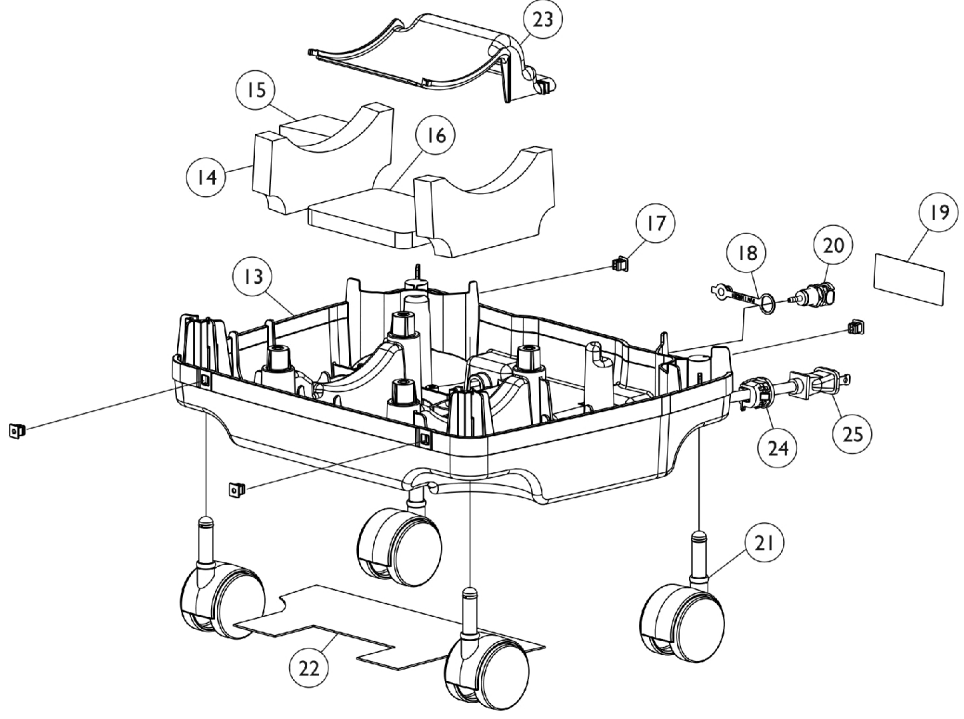
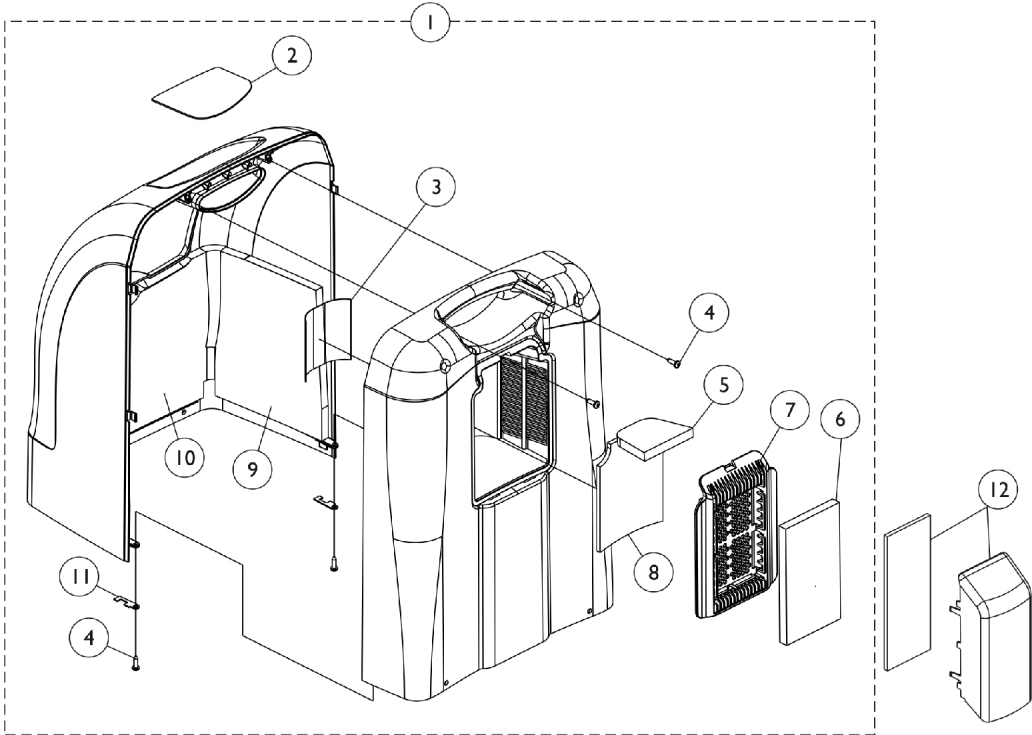


# Cabinet and Base

## PerfectoW



## Cabinet and Base PerfectoW

| Item Number | Note | Part Number | Description                                       | Quantity Per |          |
|-------------|------|-------------|---|--------------|----------|
|             |      |             |   | Package      | Assembly |
| 1           | F,A  | 1161717-NLA | NLA - Top Shroud Assembly, Beige                  | 1            | 1        |
| 2           |      | 1161721-NLA | NLA - Label, Text, English - PerfectoW            | 1            | 1        |
| 3           |      | 1137267     | Label, Diagnostic                                 | 1            | 1        |
| 4           |      | 1108810     | Screw, Hi-Lo Six Lobe Drive (#10-16 x 5/8")       | 1            | 4        |
| 5           |      | 1153695     | Foam, Inlet - Ceiling                             | 1            | 1        |
| 6           |      | 1143492     | Filter, Cabinet                                   | 1            | 1        |
| 7           | F,G  | 1161831     | Door, Cabinet Access, Beige                       | 1            | 1        |
| 8           |      | 1153700     | Foam, Inlet - Wall                                | 1            | 1        |
| 9           |      | 1143465     | Foam, Shroud - Side                               | 1            | 2        |
| 10          |      | 1143464     | Foam, Shroud - Front                              | 1            | 1        |
| 11          |      | 1143550     | Clip, Retaining                                   | 1            | 2        |
| 12          | B    | 1156532     | Inlet Air Scoop Assembly                          | 1            | 1        |
|             | E    | 1161718-NLA | NLA - Instruction Sheet, Inlet Air Scoop Assembly | 1            | 1        |
| 13          | C    | 1143429-NLA | NLA - Base, Concentrator                          | 1            | 1        |
| 14          |      | 1153706     | Foam, Damping - Base                              | 1            | 2        |
| 15          |      | 1154501     | Foam, Resonator                                   | 1            | 1        |
| 16          |      | 1153705     | Foam, Damping Outlet Base                         | 1            | 1        |
| 17          |      | 2000360     | Grommet, Plastic                                  | 1            | 4        |
| 18          |      | 1108211     | Cap, End, Dust, Green                             | 1            | 1        |
| 19          |      | 1147921-NLA | NLA - Label, Spec                                 | 1            | 1        |
| 20          |      | 1104151     | Fitting, Hose Barb with Nut (1/8")                | 1            | 1        |
| 21          |      | 1110426     | Caster Assembly (2")                              | 1            | 4        |
| 22          |      | 1153704     | Damper, Sound Base                                | 1            | 1        |
| 23          |      | 1143444-NLA | NLA - Tech Only - Baffle, Exhaust                 | 1            | 1        |
| 24          |      | 1143546     | Relief, Strain                                    | 1            | 1        |
| 25          |      | 1143493     | Cord, Power                                       | 1            | 1        |

NOTE: A - Includes Cabinet and Items 2-11.  
B - Includes Inlet Foam and Scoop. When ordering item 12, order instruction sheet part number 1161718 also.  
C - Includes Base Only.  
E - Not Shown.  
F - Changed Top Shroud Assembly Color back to Beige. After 1/16/2009.  
G - Cabinet Access Door was revised 10/16/09 to allow the Cabinet Filter to be assembled to the outside of the Cabinet Access Door. The Cabinet Access Door is backward compatible in the field for models manufactured before 10/16/09.