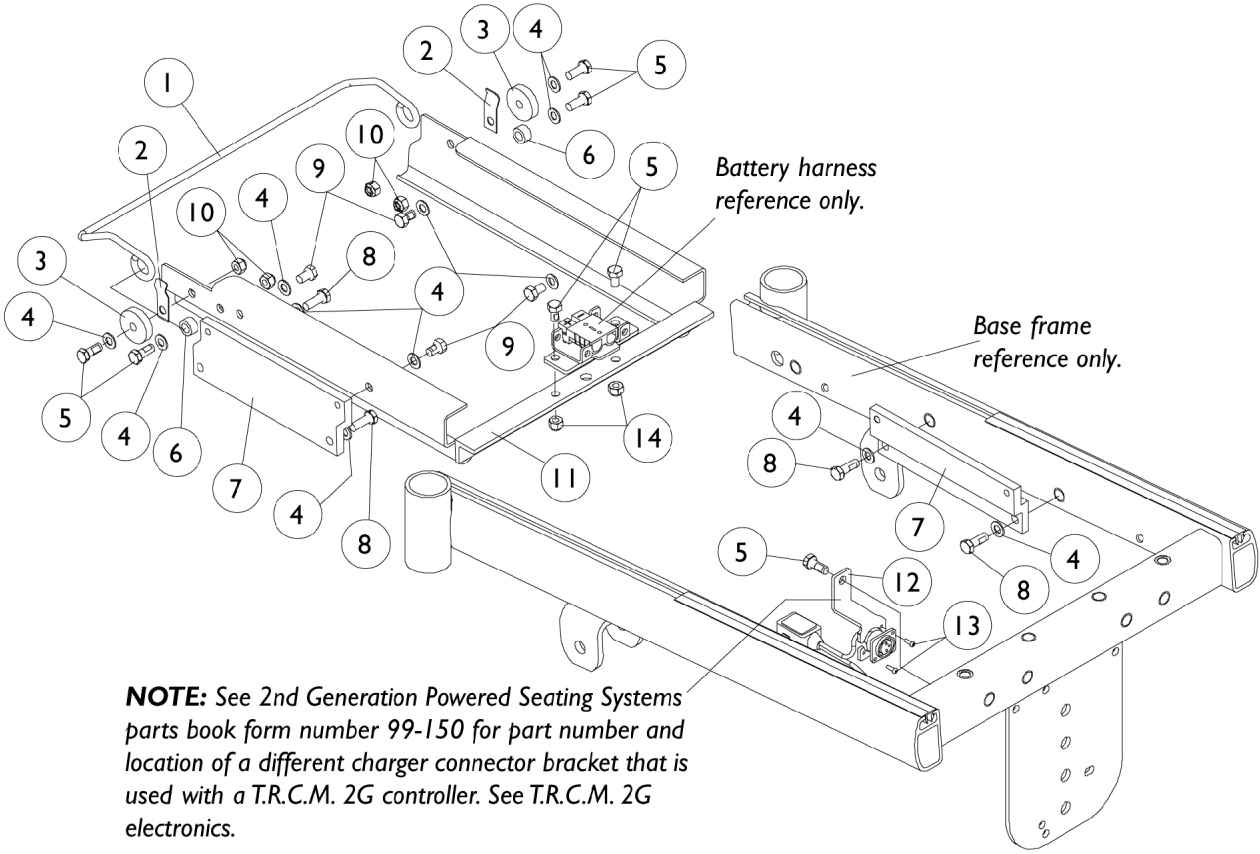


Battery Box Attaching Hardware

Group 24 Batteries



Battery Box Attaching Hardware Group 24 Batteries

Item Number	Note	Part Number	Description	Quantity Per	
				Package	Assembly
1		1049549-NLA	NLA - Retainer Bar, Battery Box	1	1
2		1049550-NLA	NLA - Clip, Retainer	1	2
3		1091544-NLA	NLA - Stop, Battery Bracket, Black	1	2
4		1025704	Washer, Flat (5/16 x 5/8 x 1/16")	1	12
5		1039860	Screw, Hex Head w/ Patch (5/16-18 x 3/4")	1	7
6		1092911-NLA	NLA - Spacer (3/8 x 5/8 x 11/32")	1	2
7		1086303-NLA	NLA - Support, Front Battery	1	2
8		1070462-NLA	NLA - Screw, Hex Head w/ Patch (5/16-18 x 7/8")	1	4
9		1061922-NLA	NLA - Screw, Hex Head w/ Patch (5/16-18 x 1/2")	1	4
10		1028769	Locknut (5/16-18)	1	4
11		1086974	Frame, Battery Box Support, Black	1	1
12		1093308-NLA	NLA - Bracket, Charger Connector, Black	1	1
13		1087226-NLA	NLA - Screw, Phillips Pan Head Tap (#4-24 x 3/8")	1	2
14		1026158	Locknut (5/16-18)	1	2