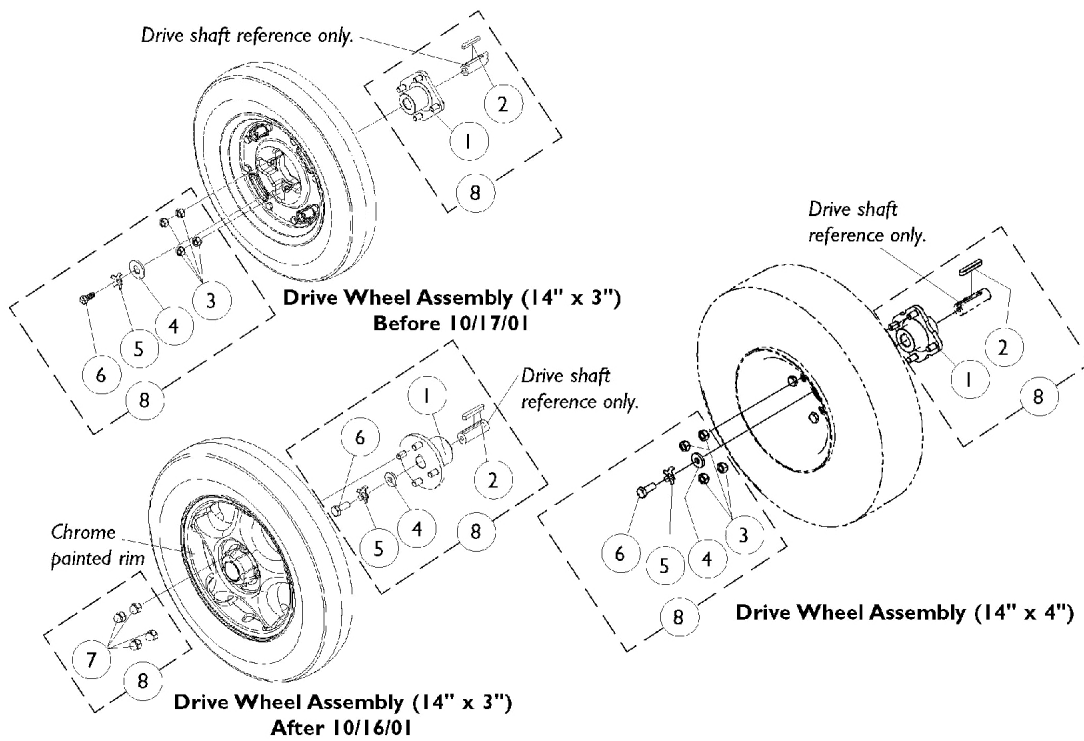


# Drive Wheel Hub Mounts

**NOTE:** the new chrome painted 14" x 3" spoke wheels are retrofitable to chairs made before 10/17/01.  
Wheel hub assembly part number 1103010 must be ordered as well.



## Drive Wheel Hub Mounts

**NOTE: the new chrome painted 14" x 3" spoke wheels are retrofitable to chairs made before 10/17/01.  
Wheel hub assembly part number 1103010 must be ordered as well.**

Item Number	Note	Part Number	Description	Quantity Per	
				Package	Assembly
1	A	1086681-NLA	NLA - Hub, Wheel (14" x 3")	1	1
1	B	1100576-NLA	NLA - Hub, Wheel (14" x 3")	1	1
1		1086326-NLA	NLA - Hub, Wheel (14" x 4")	1	1
2		1023264	Key (6mm x 6mm x 40mm)	1	1
3		1024444	Locknut (5/16-24)	1	4
4		1079247	Washer, Flat (21/64 x 53/64 x 7/64")	1	1
5		1064179	Kit, Locking Tab Washer w/ Instruction Sheet (Pair)	2	1
6		7930322-NLA	NLA - Package, Screw, Hex Head (M8 x 1.25 x 20mm)	25	1
7		1100580	Nut, Beveled Hex (5/16-24)	1	4
8	A,C	1090648-NLA	NLA - Hardware, Drive Wheel Mounting w/ Instruction Sheet (14 x 3")	1	1
8	B,D	1103011-NLA	NLA - Hardware, Drive Wheel Mounting w/ Instruction Sheet (14" x 3")	1	1
8	C	1093315-NLA	NLA - Hardware, Drive Wheel Mounting w/ Instruction Sheet (14 x 4")	1	1
	F,G	1064062-NLA	NLA - Instruction Sheet, Locking Tab	1	1
	B,E,F	1103010-NLA	NLA - Wheel Hub Assembly	1	1

NOTE: A - Before 10/17/01  
 B - After 10/16/01  
 C - Includes Items 1-6.  
 D - Includes Items 1, 2, and 4-7.  
 E - Includes Items 1 and 7.  
 F - Not Shown  
 G - Item is no longer available from the Invacare Service Parts Department. Refer to the Invacare Website under "Product Literature Search". Enter the part number in the "Keywords" field and download a free PDF version copy.