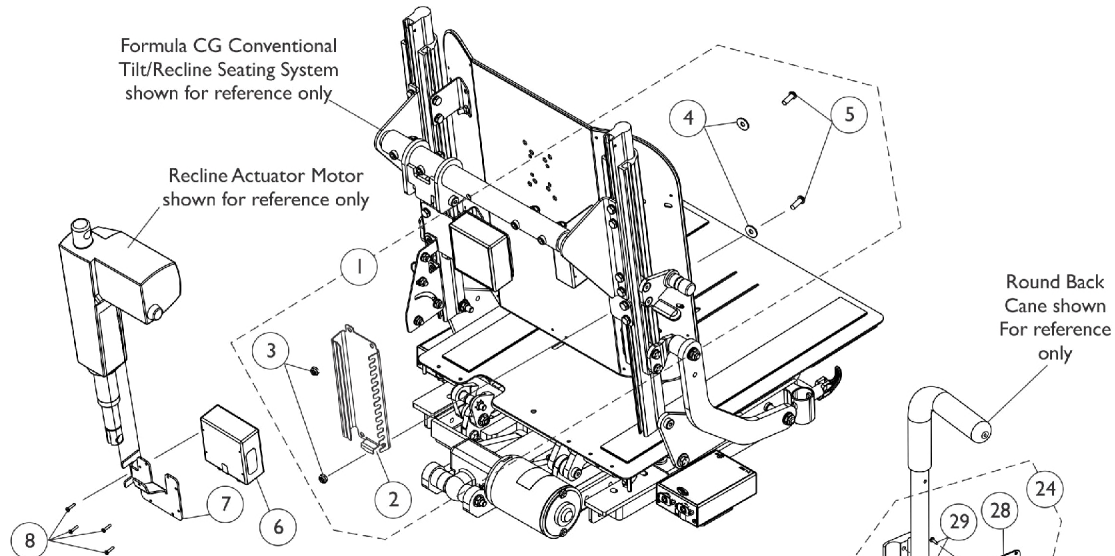
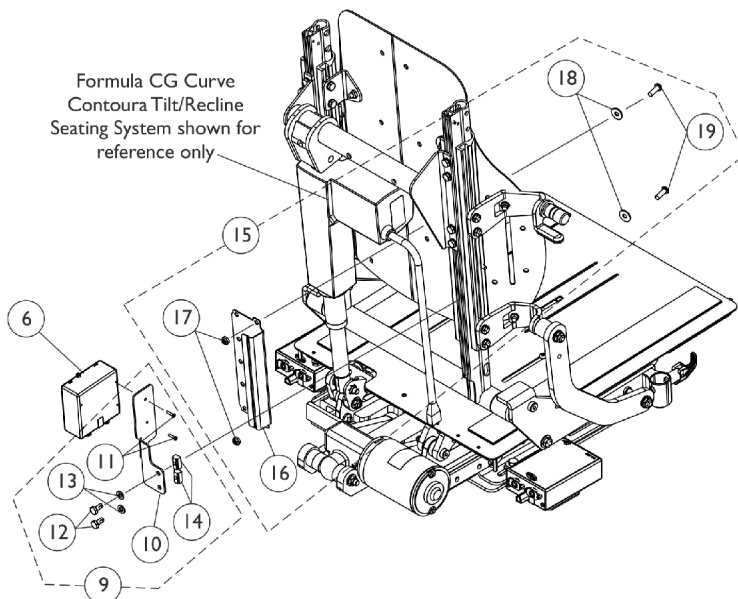


Recline/Legrest Actuator (R/L) Module and Mounting Hardware

For CGTR/CGTRE or LNX/LNX-L Power Center Mount Elevating Legrest w/ CGT/CGTR/CGTRE

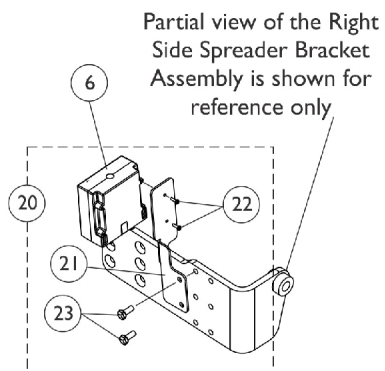


MK6i Recline/Legrest Actuator (R/L) Module Mounting Hardware For Conventional Tilt/Recline Seating System



MK6i Recline/Legrest Actuator (R/L) Module Mounting Hardware For Curve Contoura Tilt/Recline Seating System without Cantilever Arms

Mounting Hardware For Round Back Canes used on CGT Tilt Only models



MK6i Recline/Legrest Actuator (R/L) Module Mounting Hardware For Curve Contoura Tilt/Recline Seating System with Cantilever Arms

Recline/Legrest Actuator (R/L) Module and Mounting Hardware

For CGTR/CGTRE or LNX/LNX-L Power Center Mount Elevating Legrest w/ CGT/CGTR/CGTRE

Item Number	Note	Part Number	Description	Quantity Per	
				Package	Assembly
1	A	1169001-NLA	NLA - Kit, MK6i Connector Bracket and Mounting Hardware, Conventional	1	1
2			Bracket, MK6i Connector, Black	1	1
3			Locknut (1/4-20)	1	2
4			Washer (1/4 x 23/32 x 1/16")	1	2
5			Screw, Socket Button (1/4-20 x 3/4")	1	2
6	G	1167930	Module, Recline/Legrest Actuator (R/L) - MK6i (20" L)	1	1
7		1147141	Bracket, MK6i Actuator Module, Black	1	1
8		1021742	Screw, Phillips Pan Head (#4-40 x 1/2")	1	4
9	B	1168675-NLA	NLA - Kit, SNP/DI Mounting Hardware	1	1
10			Bracket, Upper Posterior Module, Black	1	1
11			Screw, Phillips Pan Head (#4-40 x 1/2")	1	2
12			Screw, Hex Head w/ Patch (1/4-20 x 1/2")	1	2
13			Washer (1/4 x 1/2 x 1/16")	1	2
14			T-Nut (1/4-20)	1	2
15	C	1169002-NLA	NLA - Kit, MK6i Connector Bracket and Mounting Hardware, Curve Contoura	1	1
16			Bracket, MK6i Connector, Black	1	1
17			Locknut (1/4-20)	1	2
18			Washer (1/4 x 23/32 x 1/16")	1	2
19			Screw, Socket Button (1/4-20 x 3/4")	1	2
20	D	1169837-NLA	NLA - Kit, MK6i Recline/Legrest Actuator (R/L) Module Mounting Hardware	1	1
21			Bracket, Upper Posterior Module, Black	1	1
22			NLA - Screw, Phillips Pan Head Tap (4-40 x 3/8")	1	2
23			Screw, Hex Head w/ Patch (1/4-20 x 5/8")	1	2
24	E	1142226	Kit, SNP/DI, 4WSB, S4WSB, GTAM, AUX12M6, AUX34M6, R/L Module Mounting Hardware For Round Back Canes	1	1
25			NLA - Half Clamp, Threaded Holes	1	1
26			Half Clamp, Non-Threaded Holes	1	1
27			NLA - Screw, Hex Head (1/4-20 x 1-1/8")	1	2
28			Plate, Mounting	1	1
29			Screw, Phillips Pan Head (#4-40 x 3/8")	1	2
			Tie Wrap (5-5/8" L)	1	5
	F	1095503-NLA	NLA - Package, Tie Wrap (5-5/8" L)	10	1

NOTE: A - Includes items 2-5.
 B - Includes items 10-14. SNP/DI Mounting Hardware is also used to mount the Recline/Legrest Actuator (R/L) Module when a Formula CGTR/CGTRE is ordered with a Curve Contoura Back
 C - Includes items 16-19
 D - Includes items 21-23. This hardware is used for Curve Contoura Seating System with Cantilever Arms
 E - Includes items 25-29 and (Tie Wraps not shown)
 F - Not Shown
 G - Module also used for CGT Tilt Only models with LNX/LNX-L Power Center Mount Elevating Legrest.