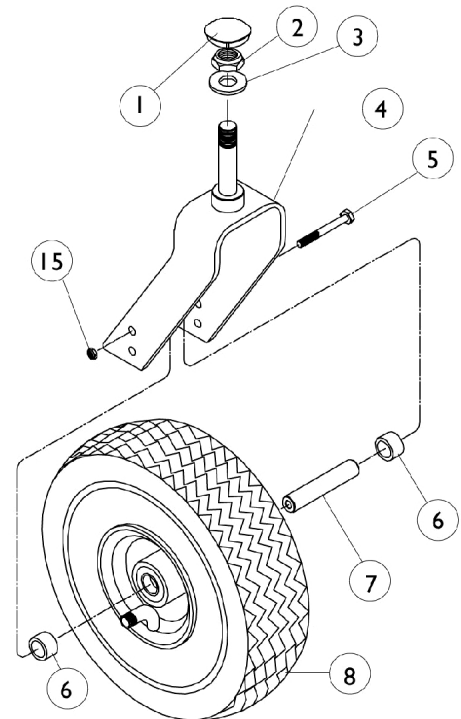
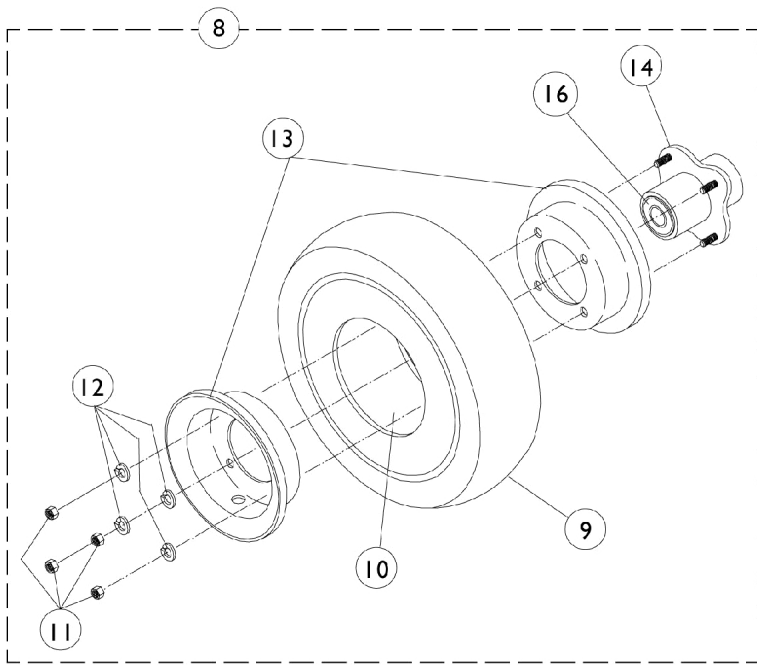


9" Caster



9" Caster

Item Number	Note	Part Number	Description	Quantity Per	
				Package	Assembly
1		1027600-NLA	NLA - Cap, Black	1	1
2		1028550	Locknut (5/8-18)	1	1
3		1041444	Washer, Nylon (5/8 x 1-5/16 x 1/8")	1	1
4	A,C	8881039754-NL A	NLA - Fork and Stem Assembly (9" and 10" Caster)	1	1
5		1027730-NLA	NLA - Screw, Hex Head (5/16-24 x 5")	1	1
6		1028832	Spacer (5/8 x 7/8 x 1/2")	1	2
7		1028833	Reducer, Axle	1	1
8		1041498-NLA	NLA - Wheel Assembly, Pneumatic (9" x 2-3/4")	1	1
8	B	1029871-NLA	NLA - Wheel Assembly, Foam Filled (9 x 2-3/4")	1	1
9		1027418-NLA	NLA - Tire, Pneumatic, Grey (9 x 2-3/4")	1	1
9		1028896-NLA	NLA - Tire w/ Foam Fill Insert, Grey (9" x 2-3/4")	1	1
10		1027417	Tube, Pneumatic Inner (9 x 2-3/4")	1	1
11		1024426-NLA	NLA - Nut, Hex (5/16-24)	1	4
12		1024442-NLA	NLA - Washer, Lock (5/16 x 9/16 x 1/16")	1	4
13		1025399-NLA	NLA - Kit, Rim, Outer/Inner Half w/ Hardware (9")	1	1
13		1013460-NLA	NLA - Kit, Rim, Outer/Inner Half w/ Hardware (10")	1	1
14		1013466	Hub with Bearings Assembly	1	1
15		7930330-NLA	NLA - Locknut (5/16-24)	25	1
16		1015610	Bearing with Grip Ring (5/8")	1	2

NOTE: A - Specify frame color when ordering.
 B - Tire comes with insert molded inside.
 C - 250 pound standard and heavy duty.