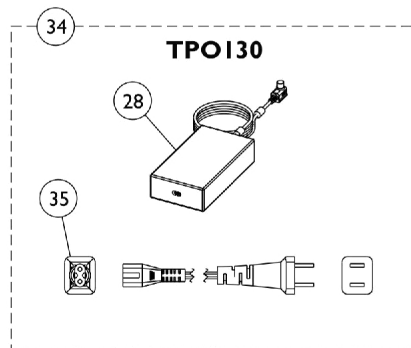
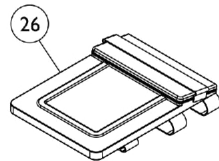
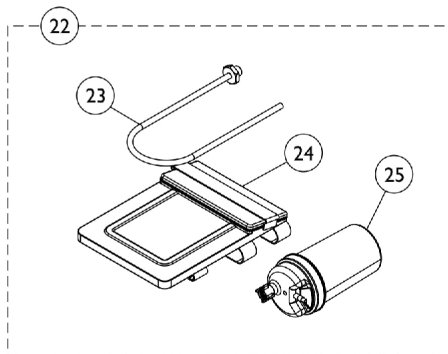
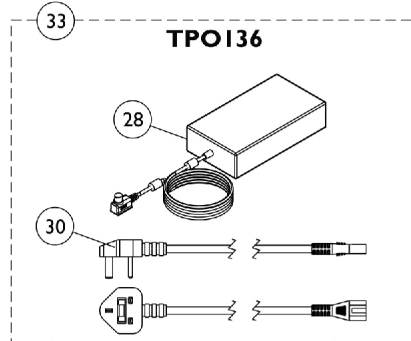
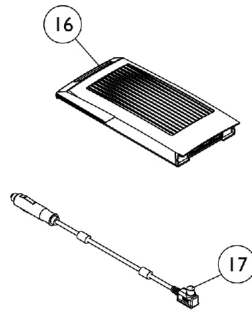
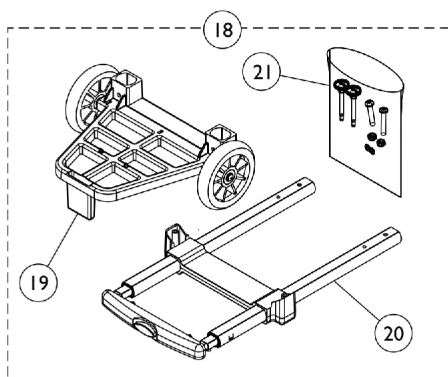
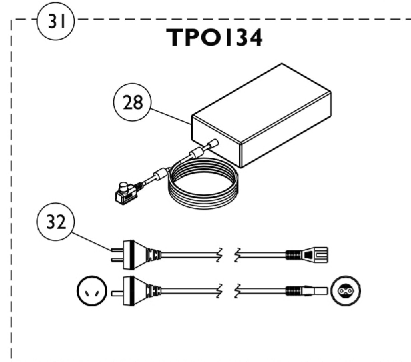
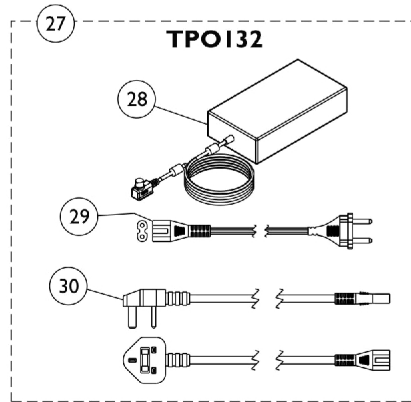
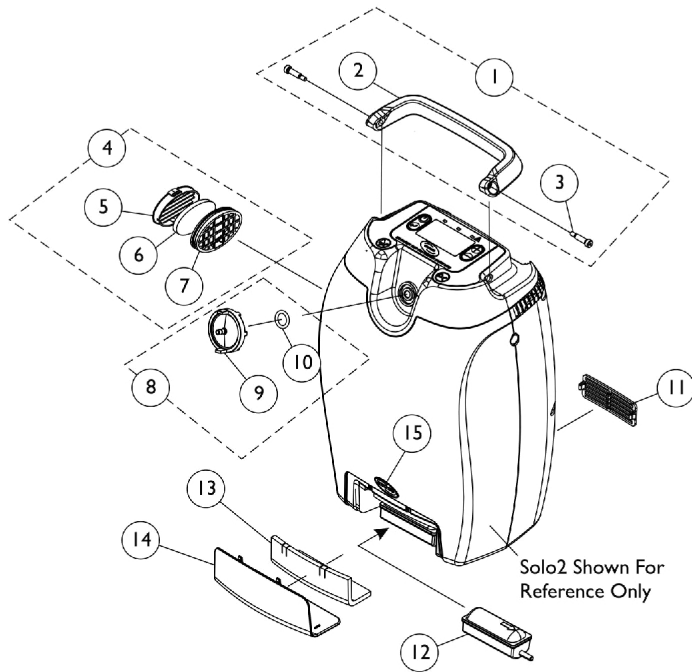


SOLO2 Transportable Concentrator



SOLO2 Transportable Concentrator

Item Number	Note	Part Number	Description	Quantity Per	
				Package	Assembly
1	A	1164371	Kit, Handle with Hardware	1	1
2			Handle	1	1
3			Screw, Socket Head (1/4 x 3/4")	1	2
4	B	1156861	Inlet Vent Assembly	1	1
5			Cover, Inlet Vent	1	1
6			Filter, Inlet	1	1
7			Vent, Inlet	1	1
6		1165095	Package, Inlet Filter	10	1
8	C	1182068	Kit, Patient Outlet Filter	1	1
9			Outlet, Firestop Fitting	1	1
10			O-Ring (19/32 x 7/8 x 1/8")	1	1
11		1156867	Vent, Exhaust	1	1
12		1157083	Filter, Inlet, Compressor	1	1
13		1156844	Foam Insert, Inlet Filter Compressor Door	1	1
14		1156856	Door, Inlet Filter Compressor	1	1
15		1090146	NLA - Decal, Invacare 3-D Logo (1-19/32" L)	1	1
16	D	TPO110	Kit, Battery	1	1
17		TPO140	Adapter, DC/DC, Car	1	1
18	E	TPO120	Kit, Cart Replacement	1	1
19			Base, Cart	1	1
20			Handle, Cart	1	1
21			NLA - Hardware, Cart Assembly	1	1
			Instruction Sheet, Cart	1	1
	H,M	1163196-NLA	NLA - Instruction Sheet, Cart, International	1	1
21	G	1157046-NLA	NLA - Hardware, Cart Assembly	1	1
22	F	TPO170	Kit, Humidifier Bottle, Adapter and Accessory Bag	1	1
23			Adapter, Humidifier Bottle	1	1
24			Bag, Accessory	1	1
25			Bottle, Humidifier	1	1
23		1165381	Adapter, Humidifier Bottle	1	1
26		TPO160	Bag, Accessory	1	1
27	I	TPO132	Kit, Adapter, AC/DC Power Plug, EU	1	1
28			Adapter, AC/DC Power Plug	1	1
29			Power Cord, Line, 2P, Europe	1	1
30			EU - Power Cord, Line, 2P, United Kingdom	1	1
31	J	TPO134	Kit, Adapter, AC/DC Power Plug, Australia	1	1
28			Adapter, AC/DC Power Plug	1	1
32			Power Cord, Line, 2P, Australia	1	1
33	K	TPO136	Kit, Adapter, AC/DC Power Plug, United Kingdom	1	1
28			Adapter, AC/DC Power Plug	1	1
30			EU - Power Cord, Line, 2P, United Kingdom	1	1
34	N	TPO130	Kit, Adapter, AC/DC Power Plug	1	1
28			Adapter, AC/DC Power Plug	1	1
35			Power Cord, Line, 2P, United States	1	1
29		1152805	Power Cord, Line, 2P, Europe	1	1
30		1160791	EU - Power Cord, Line, 2P, United Kingdom	1	1
32		1160792	Power Cord, Line, 2P, Australia	1	1

SOLO2 Transportable Concentrator

Item Number	Note	Part Number	Description	Quantity Per	
				Package	Assembly
35		1151816	Power Cord, Line, 2P, United States	1	1
	L,M	1165085	Kit, Labels, Product Overlay	1	1
	L,M	1165086	Kit, Labels, Battery Overlay	1	1
	L,M	1164926	Kit, Labels, Top Overlay	1	1
	L,M	1167619	Kit, Labels, Warning Do Not Ship	1	1
	L	1159909	Label, FAA Transport	1	1
	M	1179328	Kit, Label, Solo2 Control Panel (USA)	1	1
			Instruction Sheet, Label, Solo2 Control Panel (USA)	1	1
			Label, Control Panel, Solo2 (USA)	1	1
<p>NOTE: A - Kit includes items 2 and 3 B - Kit includes items 5-7 C - Kit includes items 9 and 10 D - Kit includes the Battery Box with (3) Battery Packs inside. Individual Battery Packs are non-serviceable. E - Kit includes items 19-21 and Instruction Sheet. The International Instruction Sheet is not included F - Kit includes items 23-25 G - Hardware includes (2) ea. #8-32 Retainer Washers, (2) ea. Cart Thumb Screws, (2) ea. Phillips Button Head Screws and (2) ea. 1/4-20 Locknuts H - Languages contained in the Cart Instruction Sheet are English, Italian, Dutch, French, German, Spanish, Norwegian, Swedish, Danish, Portuguese, Greek I - Includes items 28-30 J - Includes items 28 and 32 K - Includes items 28 and 30 L - Languages contained in kit are Italian, Dutch, French, German, Spanish, Norwegian, Swedish, Danish, Portuguese, Greek M - Not Shown N - Includes items 28 and 35.</p>					