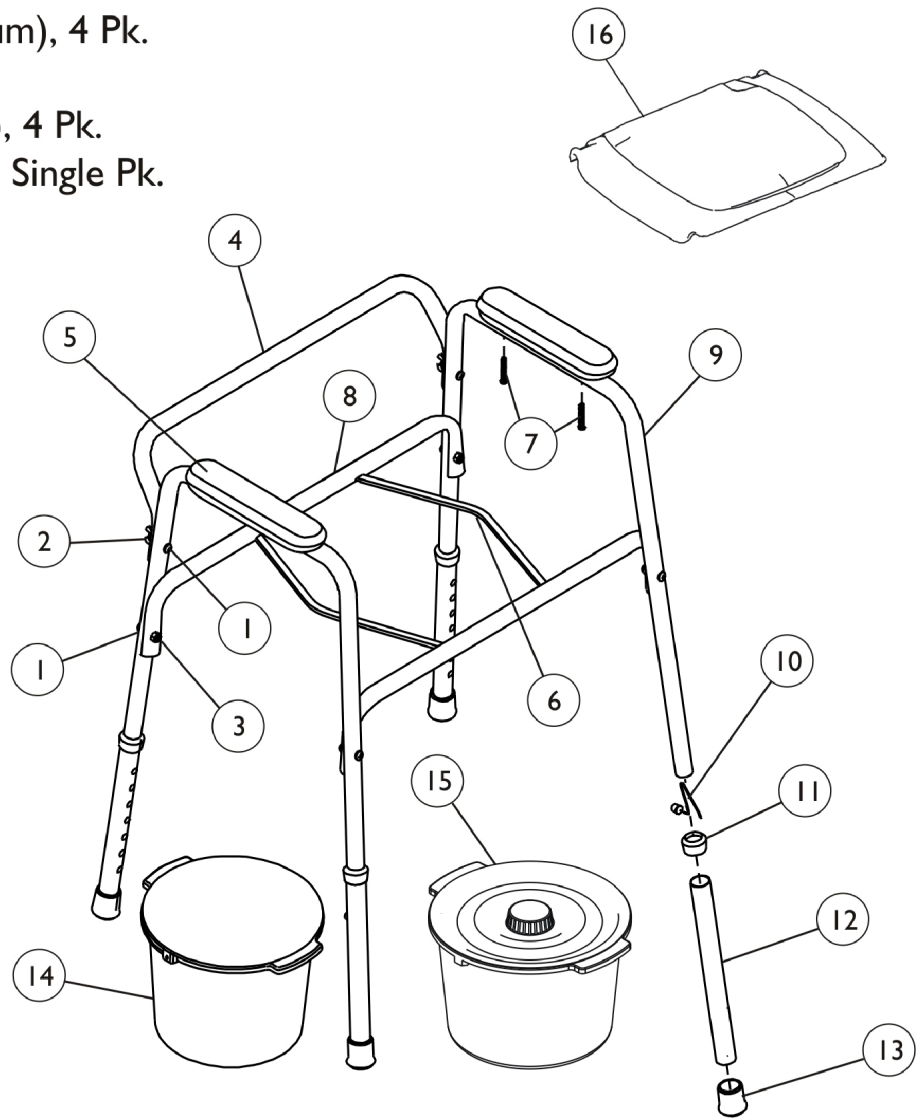


All In One Commode - Model 9630-4, 9630-1 (Before 4/15/13) Model 9650-4 (Before 4/15/13)

Model 9650-4 (Aluminum), 4 Pk.

Model 9630-4 (Coated), 4 Pk.

Model 9630-1 (Coated), Single Pk.



All In One Commode - Model 9630-4, 9630-1 (Before 4/15/13) Model 9650-4 (Before 4/15/13)

Item Number	Note	Part Number	Description	Quantity Per	
				Package	Assembly
1		1073248-NLA	NLA - Screw, Phillips Pan Head (1/4-20 x 1-1/4")	1	6
2		20148X002	Nut, Wing (1/4-20)	1	2
3		1008882	Locknut (1/4-20)	1	4
4	B	1116451-NLA	NLA - Tube, Back Support, Silver	1	1
4	B	1062004-NLA	NLA - Tube, Back, Coated	1	1
5	D,H	1059660	NLA - Armrest, Full Length, Grey	1	2
	A,F	1132261-NLA	NLA - Kit, Armrest with Hardware, Full Length - Grey	1	1
5			NLA - Armrest, Full Length, Grey	1	2
7			NLA - Screw, Phillips Pan Head (1/4 x 1-1/4")	1	4
5	E	1119218-NLA	NLA - Armrest, Two-Piece Assembly, Grey	1	2
6		1019161-NLA	NLA - Holder, Pan/Pail	1	2
7		1061431-NLA	NLA - Screw, Phillips Pan Head (1/4 x 1-1/4")	1	4
8	B	1116450-NLA	NLA - Tube, Seat Rail, Silver Vein	1	2
8	C	1062003-NLA	NLA - Rail, Seat, Coated	1	2
9	B	1116449-NLA	NLA - Tube, Arm with Holes, Silver	1	2
9	C	1062002-NLA	NLA - Tube, Arm with Holes, White	1	2
10		1094945	Button, Snap	1	4
11		1062021-NLA	NLA - Anti-Rattle, Grey (1")	1	4
12	B	1116452-NLA	NLA - Tube, Extension Leg, Silver Vein	1	4
12	C	1062005-NLA	NLA - Tube, Leg Extension, White	1	4
13		40186X030	Tip, Rubber, Grey (1")	1	4
14		1062022	Shield, Splash, Grey	1	1
15	I,K	1062023	NLA - Pail with Lid w/o Handle, Grey	1	1
15	J	1151955	Pail w/ Lid w/o Handle, Grey	1	1
16	M	1112182	Seat, Commode with Lid	1	1
	A,G	1089637	NLA - Instruction Sheet	1	1
	A	1148075-NLA	NLA - Instruction Sheet	1	1

NOTE: A - Not Shown.
 B - Used with Model 9650-4.
 C - Used with Model 9630-4 and 9630-1.
 D - After 12/14/2004, use Part Number 1119218.
 E - Includes Upper and Lower Armrest.
 F - Kit includes (2) Armrests (1059660) and (4) Screws (1061431).
 G - No longer available, use Part Number 1148075 as its replacement.
 H - No longer available, use Part Number 1132261 as its replacement.
 I - Before 8/16/2007.
 J - After 8/15/2007.
 K - No longer available, use Part Number 1151955 as its replacement.
 M - Used with 9630 before (4/15/13).