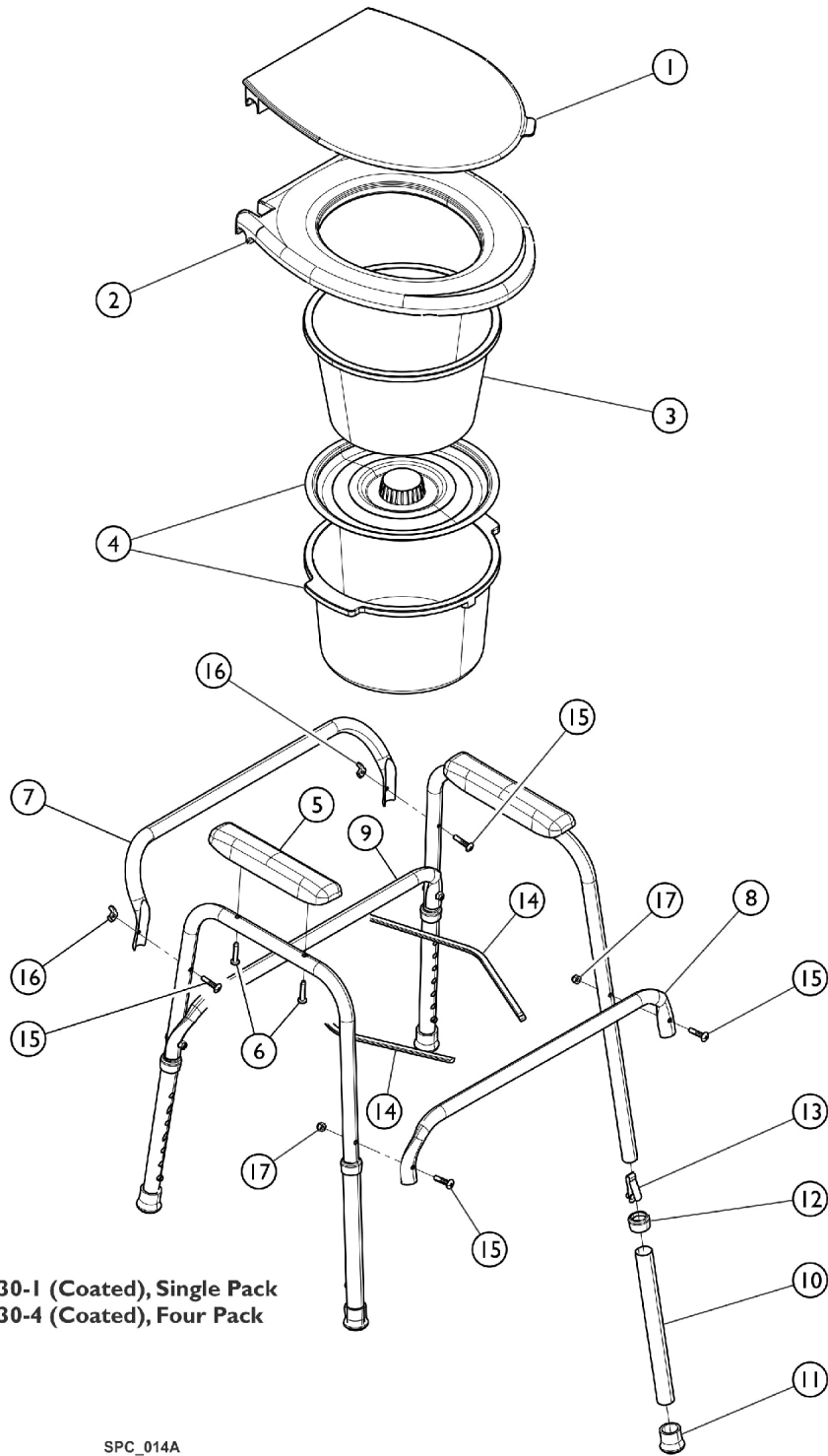


All In One Commode - Model 9630-4, 9630-1 (After 4/14/13) Light Grey Frame

NOTE: Due to a design change, the Seat (1536272) and Lid (1536472) must be ordered as a set.



9630-1 (Coated), Single Pack
9630-4 (Coated), Four Pack

All In One Commode - Model 9630-4, 9630-1 (After 4/14/13) Light Grey Frame

NOTE: Due to a design change, the Seat (1536272) and Lid (1536472) must be ordered as a set.

Item Number	Note	Part Number	Description	Quantity Per	
				Package	Assembly
1		1536472	Lid, Toilet, Grey	1	1
2		1536272	Seat, Toilet, Grey	1	1
3		1182244	Shield, Splash, Grey	1	1
4		1182247	Pail, w/ Lid, Grey	1	1
5		1182241-NLA	NLA - Armrest, Full Length, Grey	1	2
6		1061431-NLA	NLA - Screw, Phillips Pan Head (1/4 x 1-1/4")	1	4
7		1182253-NLA	NLA - Tube, Back, Coated	1	1
8		1537391-NLA	NLA - Rail, Seat, Front, Coated	1	1
9		1182251-NLA	NLA - Rail, Seat, Rear, Coated	1	1
10		1182254-NLA	NLA - Leg, Extension, Coated	1	4
11		40186X030	Tip, Rubber, Grey (1")	1	4
12		1062021-NLA	NLA - Anti-Rattle, Grey (1")	1	4
13		1094945	Button, Snap	1	4
14		1537392	Pail Holder, Aluminum	1	2
15		1073248-NLA	NLA - Screw, Phillips Pan Head (1/4-20 x 1-1/4")	1	4
16		20148X002	Nut, Wing (1/4-20)	1	2
17		1008882	Locknut (1/4-20)	1	4

NOTE: Due to a design change, the Seat (1536272) and Lid (1536472) must be ordered as a set.