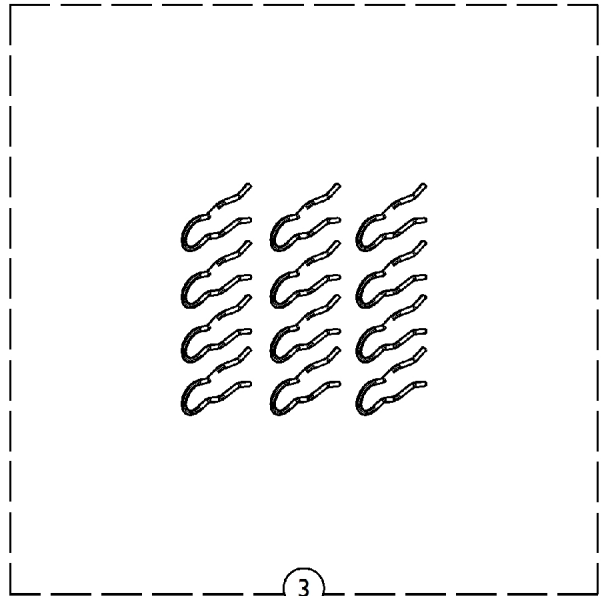
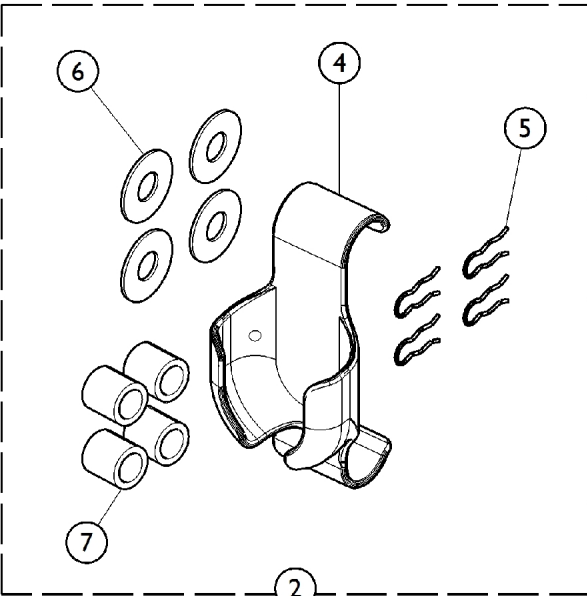
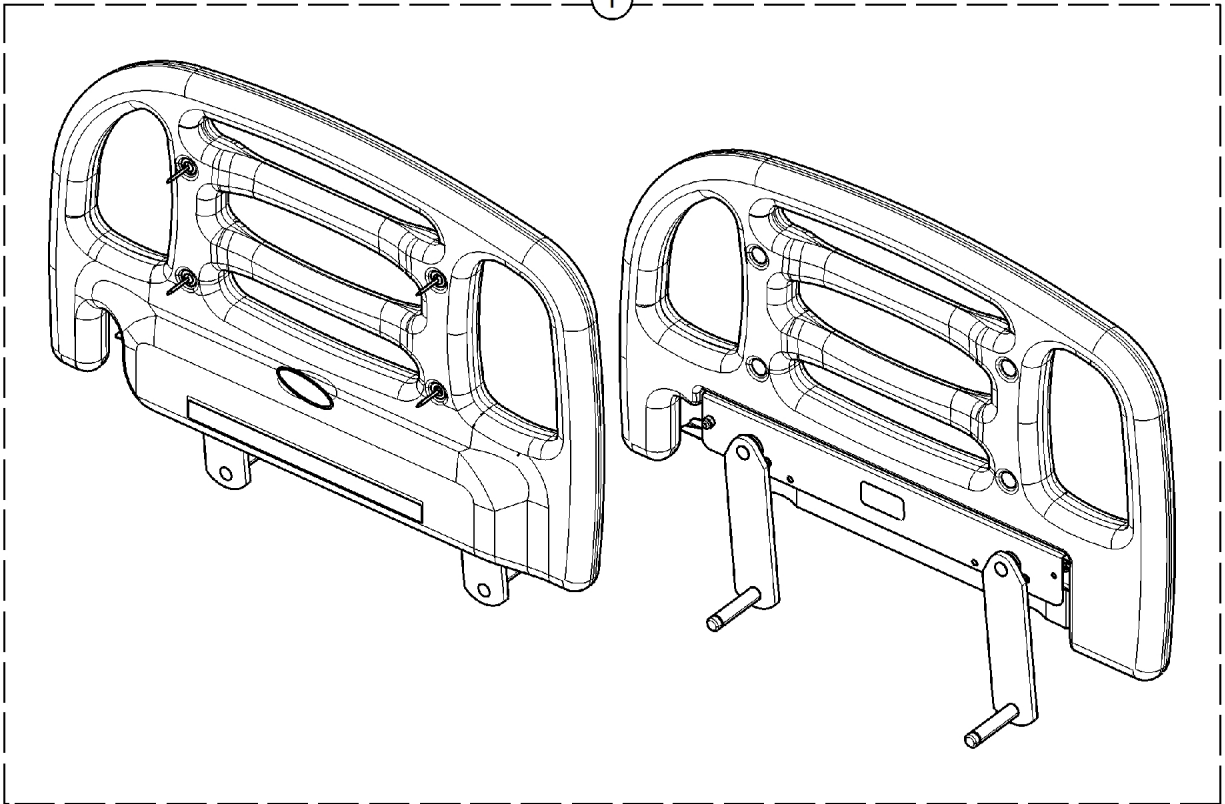


Positional Devices

1



Positional Devices

Item Number	Note	Part Number	Description	Quantity Per	
				Package	Assembly
1	A	IHCSTSPD-QSP	Head Positioning Rails (Pair)	1	1
1		1158933	Head Section, Bed (36" W)	1	1
2	B	1161869	Kit, Head Positioning Hardware	1	1
4			Holster, Pendant	1	1
5			Pin, Retaining	4	1
6			Washer, Flat (1.250" x .516" x .062)	4	1
7			NLA - Bushing, Glide - White	4	1
			Instruction Sheet, Thinksoft PD	1	1
			Label, Warning, Entrapment and Crush	2	1
3		1165069	Package, Retaining Clip	12	1
4		1186847	Holster, Pendant	1	1

NOTE: A - For beds built prior to February 5, 2009, you must also order 1158933.
 B - Includes Pendant Holster, Bushing, Washer, and Retaining Pin.