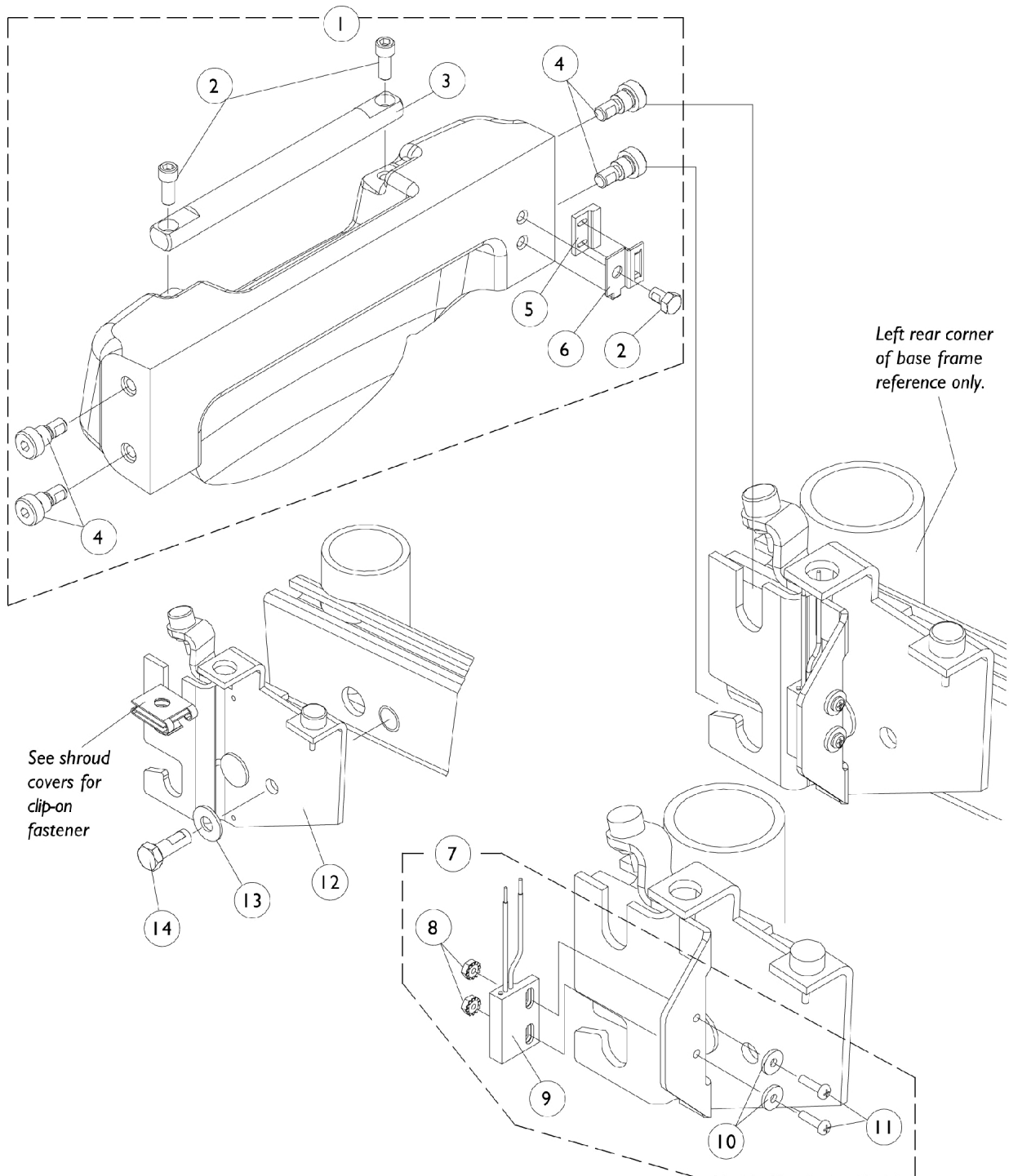


Counterweight and Sensor Attaching Hardware



Counterweight and Sensor Attaching Hardware

Item Number	Note	Part Number	Description	Quantity Per	
				Package	Assembly
1	A	1091522-NLA	NLA - Counter Weight Assembly	1	1
2		1086944-NLA	NLA - Screw, Socket Head (5/16-18 x 3/4")	1	3
3		1091523-NLA	NLA - Handle, Counter Weight	1	1
4		1086322	Screw, Shoulder Hex Socket Head (1/2 x 3/8", 3/8-16)	1	4
5		1024001	Sensor, Actuator Switch	1	1
6		1094385-NLA	NLA - Bracket, Sensor Attaching, Black	1	1
7	B	1091528-NLA	NLA - Hardware, Attaching, Sensor Cable	1	1
8		P0870X000	Nut, Hex Keps (#4-40)	1	2
9		1092913-NLA	NLA - Cable, Drive Lockout Sensor	1	1
10		16348X007	Rivet Washer (1/8 x 3/8 x 1/16")	1	2
11		1074128	Screw, Phillips Pan Head (#4-40 x 7/16")	1	2
12		1091520-NLA	NLA - Bracket with Stem Bumpers, Counter Weight Support - Right	1	1
12		1091521-NLA	NLA - Bracket with Stem Bumpers, Counter Weight Support - Left	1	1
13		1074133	Washer, Steel (5/16 x 3/4 x 1/16")	1	2
14		1070462-NLA	NLA - Screw, Hex Head w/ Patch (5/16-18 x 7/8")	1	2

NOTE: A - Includes Items 2-6.
B - Includes Items 9-11.