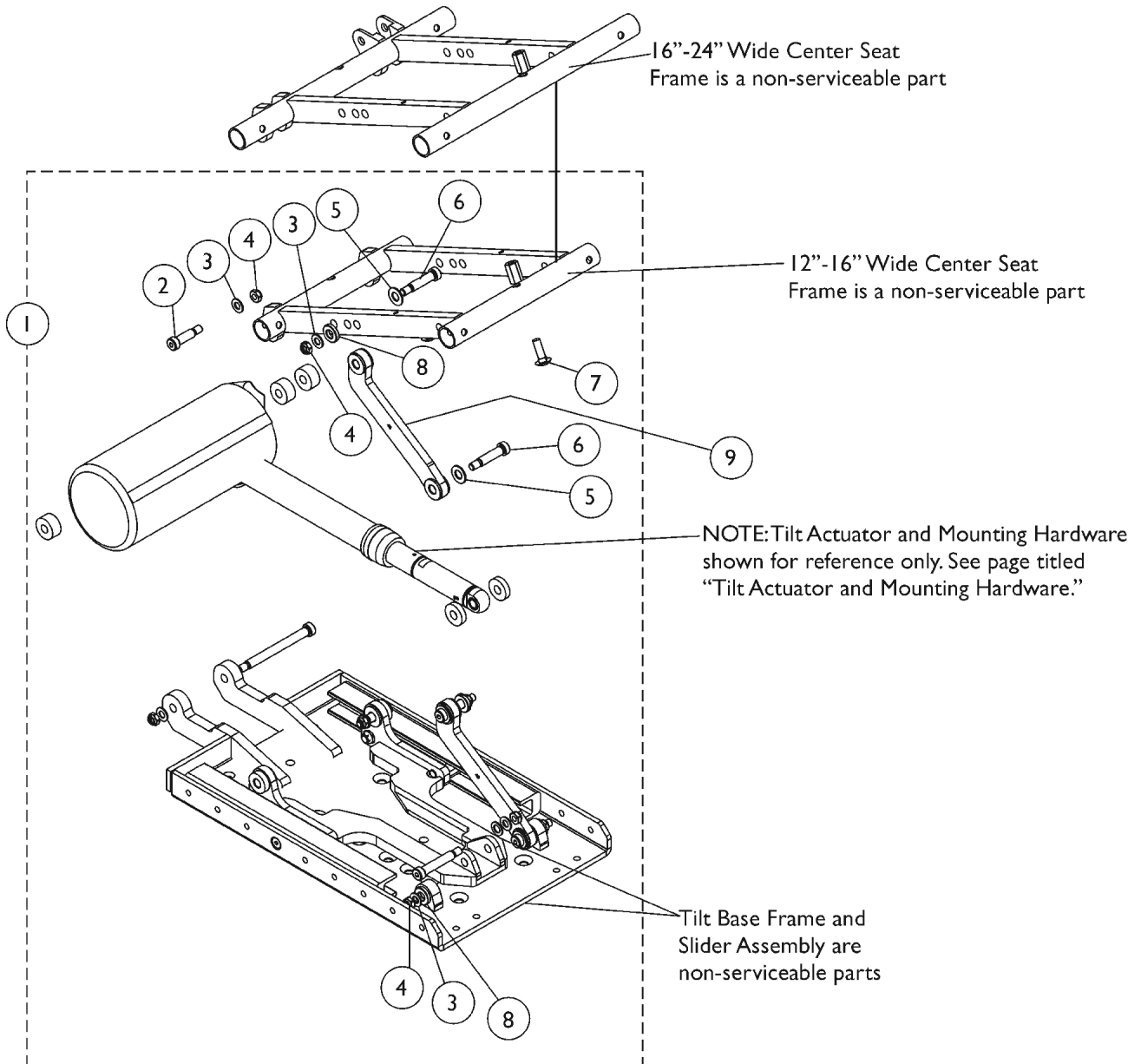


# Tilt Links and Mounting Hardware

After 4/1/13

NOTE: Item #9 Tilt Links are currently not available as a service part in the field.



## Tilt Links and Mounting Hardware After 4/1/13

**NOTE: Item #9 Tilt Links are currently not available as a service part in the field.**

Item Number	Note	Part Number	Description	Quantity Per	
				Package	Assembly
1	A,B	1180311	Kit, Tilt Link Mounting Hardware (12" - 16" W)	1	1
2			NLA - Screw, Shoulder Hex Socket Head (3/8 x 1", 5/16-18)	1	2
3			Washer, Flat (5/16 x 5/8 x 1/16")	1	6
4			Locknut (5/16-18)	1	6
5			Washer, Nylon (3/8 x 13/16 x 1/16")	1	4
6			Screw, Shoulder Hex Socket (3/8 x 1-1/4", 5/16-18)	1	4
7			Bolt, Round Head Square Neck (5/16-18 x 1")	1	2
8			Spacer (3/8 x 13/16 x 11/64")	1	4
			Instruction Sheet, Tilt Link Installation	1	1
1	A,B	1180312	Kit, Tilt Link Mounting Hardware (16" - 24" W)	1	1
2			Screw, Shoulder Hex Socket Head (3/8 x 1-1/2", 5/16-18)	1	2
3			Washer, Flat (5/16 x 5/8 x 1/16")	1	6
4			Locknut (5/16-18)	1	6
5			Washer, Nylon (3/8 x 13/16 x 1/16")	1	4
6			Screw, Shoulder Hex Socket (3/8 x 1-1/4", 5/16-18)	1	4
7			Bolt, Round Head Square Neck (5/16-18 x 1")	1	2
8			Spacer (3/8 x 13/16 x 11/64")	1	4
			Instruction Sheet, Tilt Link Installation	1	1
NOTE: A - Includes items 2-8 and Installation Instruction Sheet. Tilt Link Mounting Hardware is used for both Conventional and Smart Actuator Motors					
B - Item #9 Tilt Links are currently not available as a service part in the field.					