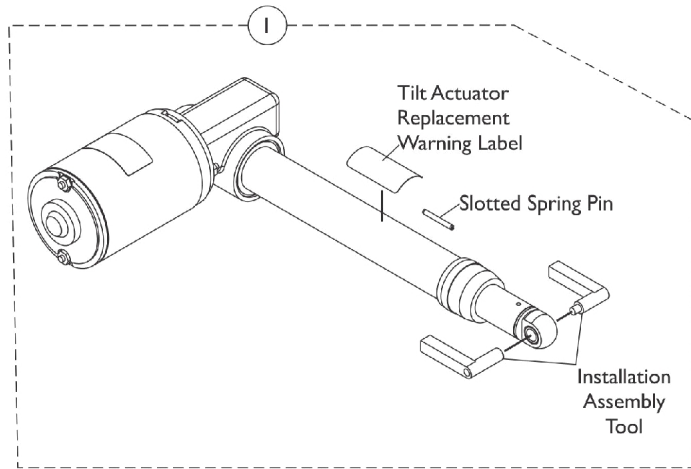
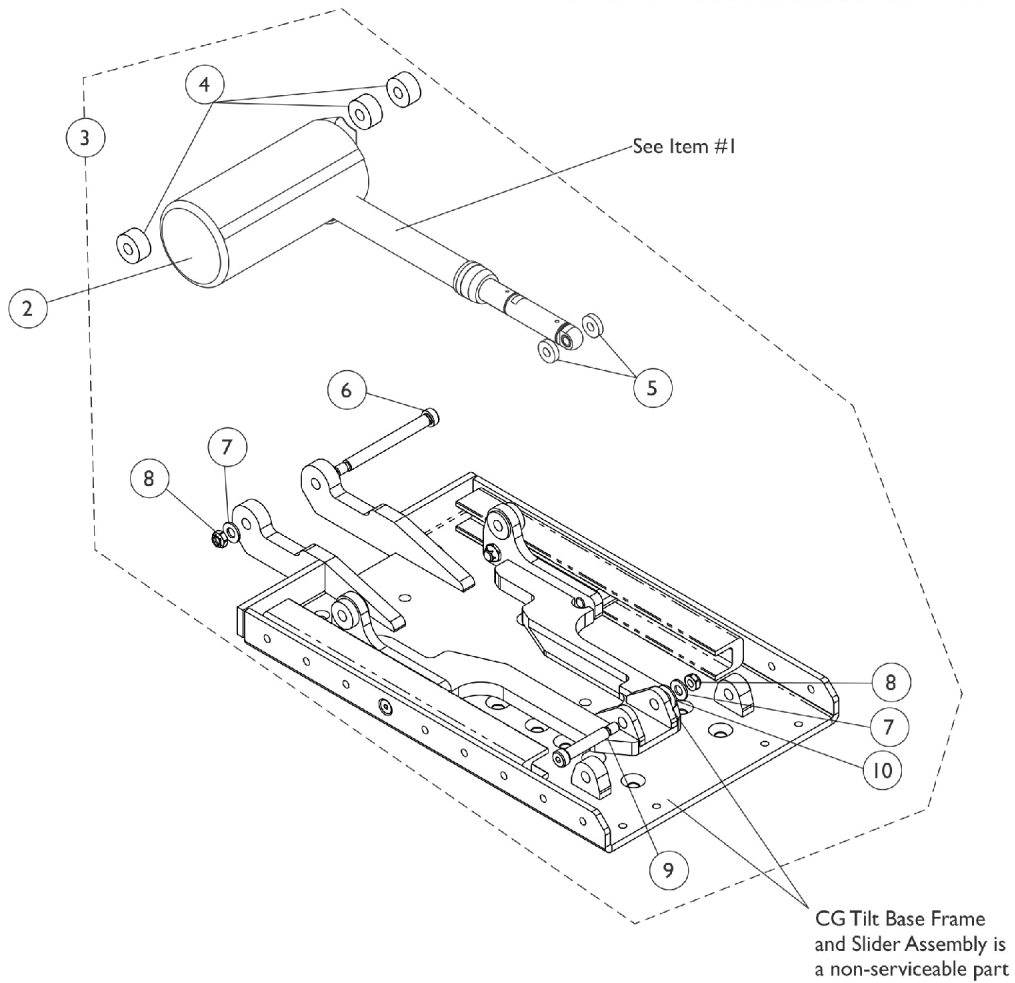


Tilt Actuator Motor and Mounting Hardware After 4/1/13



Tilt Conventional Actuator Motor Kit



Tilt Actuator Motor and Mounting Hardware After 4/1/13

Item Number	Note	Part Number	Description	Quantity Per	
				Package	Assembly
1	B,C,D	1169660	Kit, Tilt Conventional Actuator Motor	1	1
1	B,C,D	1169660E-NLA	NLA - WARR RPLMT - Kit, Tilt Actuator Conventional Motor	1	1
2		1144610-NLA	NLA - Cover, Tilt Actuator Motor Boot	1	1
3	A	1180313	Kit, Tilt Actuator Motor Mounting Hardware	1	1
4			Spacer (3/8 x 1 x 1/2")	1	3
5			NLA - Washer, Nylon (13/32 x 1 x 1/4")	1	2
6			Screw, Shoulder Hex Socket Head (3/8" x 3-1/2", 5/16-18)	1	1
7			Washer, Flat (5/16 x 5/8 x 1/16")	1	2
8			Locknut (5/16-18)	1	2
9			Screw, Shoulder Hex Socket Head (3/8 x 1-3/4", 5/16-18)	1	1
10			Washer, Plain (1/4 x 9/16 x 1/16")	1	1
			Instruction Sheet, Tilt Actuator Motor Installation	1	1
<p>NOTE: A - Includes items 4-10 and Installation Instruction Sheet. B - Due to NEW Installation procedures, refer to the Tilt Actuator Replacement Instructions included with the Kit for assistance. C - Includes the Tilt Conventional Actuator Motor, Bushings, Installation Assembly Tool, Slotted Spring Pin, Silicon Lubricant, Warning Label and Instructions. Components are not sold separately. D - Includes Part #1190604 Supplemental Power Wheelchair Warnings/Wear and Tear Information Owner's Manual.</p>					