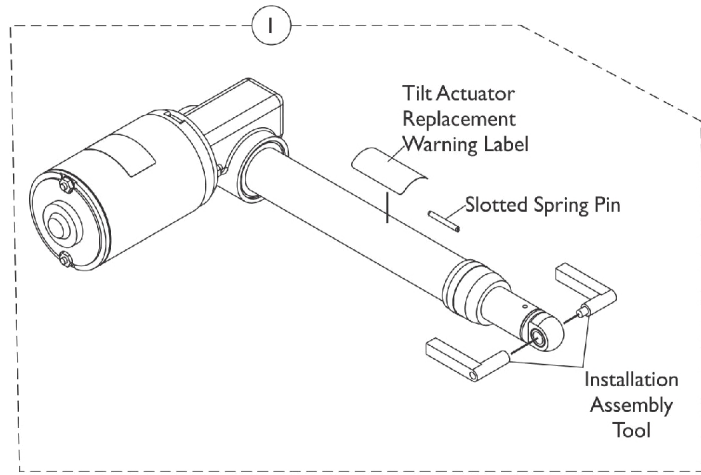
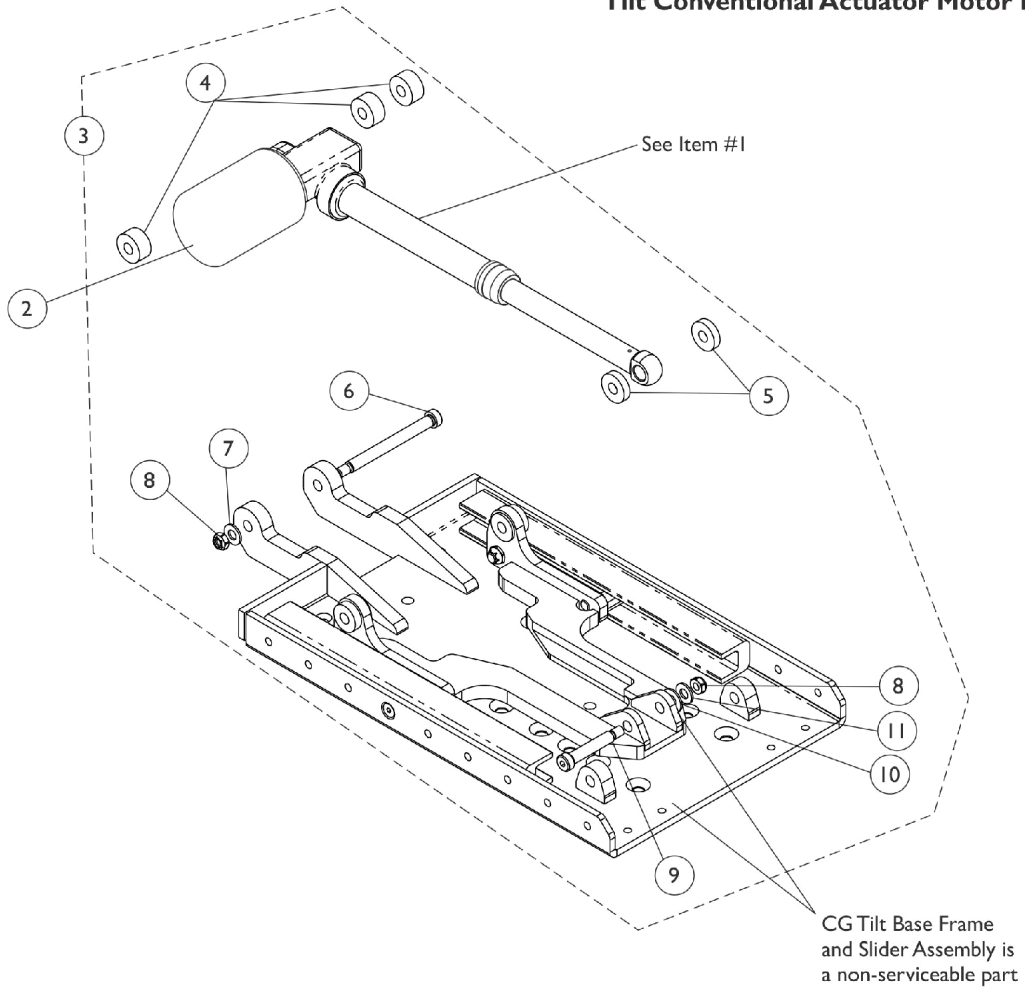


# Tilt Actuator Motor and Mounting Hardware Before 4/2/13



**Tilt Conventional Actuator Motor Kit**



## Tilt Actuator Motor and Mounting Hardware Before 4/2/13

| Item Number | Note  | Part Number  | Description  | Quantity Per |          |
|-------------|-------|--------------|--|--------------|----------|
|             |       |              |  | Package      | Assembly |
| 1           | B,C,E | 1169660      | Kit, Tilt Conventional Actuator Motor                    | 1            | 1        |
| 1           | B,C,E | 1169660E-NLA | NLA - WARR RPLMT - Kit, Tilt Actuator Conventional Motor | 1            | 1        |
| 2           |       | 1144610-NLA  | NLA - Cover, Tilt Actuator Motor Boot                    | 1            | 1        |
| 3           | A,D   | 1153721-NLA  | NLA - Kit, Tilt Actuator Motor Mounting Hardware         | 1            | 1        |
| 4           |       |              | Spacer (3/8 x 1 x 1/2")                                  | 1            | 3        |
| 5           |       |              | NLA - Washer, Nylon (13/32 x 1 x 1/4")                   | 1            | 2        |
| 6           |       |              | Screw, Shoulder Hex Socket Head (3/8" x 3-1/2", 5/16-18) | 1            | 1        |
| 7           |       |              | Washer, Steel (11/32 x 11/16 x 1/16")                    | 1            | 1        |
| 8           |       |              | Locknut (5/16-18)  | 1            | 2        |
| 9           |       |              | Screw, Shoulder Hex Socket Head (3/8 x 1-3/4", 5/16-18)  | 1            | 1        |
| 10          |       |              | Washer, Plain (1/4 x 9/16 x 1/16")                       | 1            | 1        |
| 11          |       |              | Washer, Flat (5/16 x 5/8 x 1/16")                        | 1            | 1        |

NOTE: A - Includes items 4-11  
B - Due to NEW Installation procedures, refer to the Tilt Actuator Replacement Instructions included with the Kit for assistance.  
C - Includes the Tilt Conventional Actuator Motor, Bushings, Installation Assembly Tool, Slotted Spring Pin, Silicon Lubricant, Warning Label and Instructions. Components are not sold separately.  
D - No Longer Available. See page titled "Tilt Actuator Motor and Mounting Hardware After 4/1/13". Part #1153721 was replaced with 1180313.  
E - Includes Part #1190604 Supplemental Power Wheelchair Warnings/Wear and Tear Information Owner's Manual.