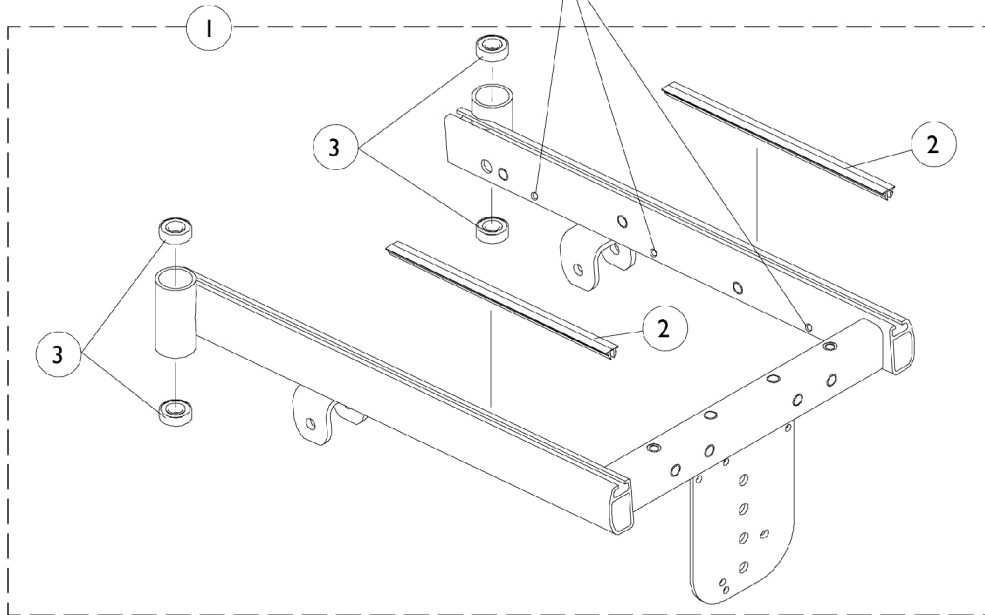


# Base Frame

**NOTE:** "Base Frames are not available as a service part."

Wheelchair must be returned to Invacare when Base Frame needs replacement. Contact Invacare Customer Service for more information.

**NOTE:** Cable tie holders located at these points come packaged with the cable routing hardware on the Battery Charger, Harness and Cables page. Holders are not included with a base frame assembly.



# Base Frame

**NOTE: "Base Frames are not available as a service part."**

**Wheelchair must be returned to Invacare when Base Frame needs replacement. Contact Invacare Customer Service for more information.**

Item Number	Note	Part Number	Description	Quantity Per	
				Package	Assembly
1	A	See Note	See Footnote	1	1
2		1076586-NLA	NLA - Kit, Extrusion Cover (Pair) 2 feet each piece	2	1
3		40117X006	Bearing (5/8")	1	4

NOTE: A - Item 1 is no longer available. Replacement parts must be ordered individually.