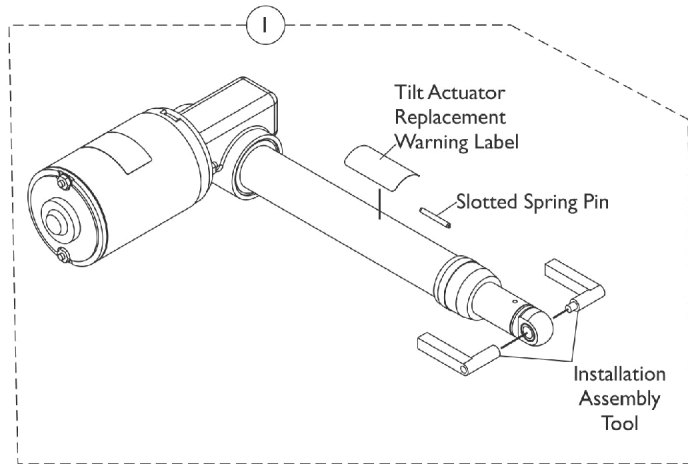
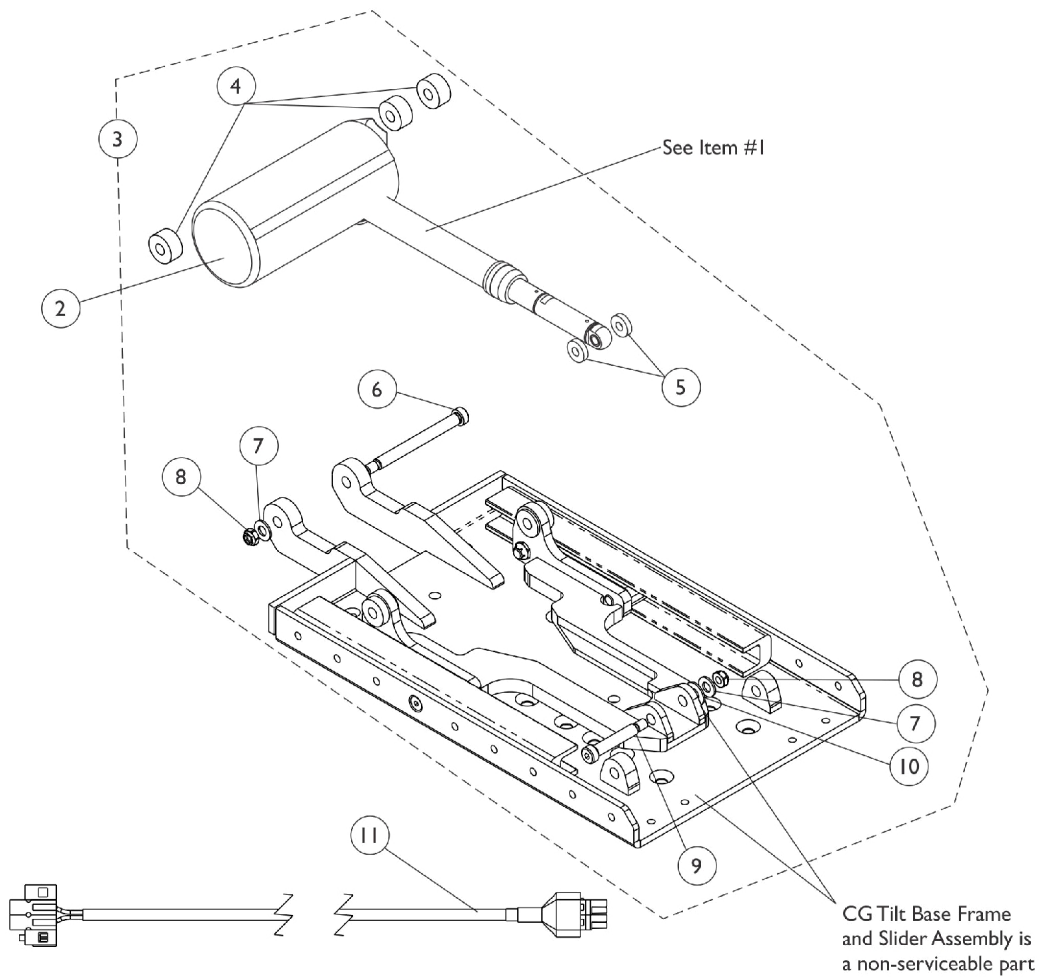


Tilt Actuator Motor and Mounting Hardware After 4/1/13



Tilt Conventional Actuator Motor Kit



Tilt Actuator Motor and Mounting Hardware After 4/1/13

Item Number	Note	Part Number	Description	Quantity Per	
				Package	Assembly
1	C,D,E	1169660	Kit, Tilt Conventional Actuator Motor	1	1
1	C,D,E	1169660E-NLA	NLA - WARR RPLMT - Kit, Tilt Actuator Conventional Motor	1	1
2		1144610-NLA	NLA - Cover, Tilt Actuator Motor Boot	1	1
3	A	1180313	Kit, Tilt Actuator Motor Mounting Hardware	1	1
4			Spacer (3/8 x 1 x 1/2")	1	3
5			NLA - Washer, Nylon (13/32 x 1 x 1/4")	1	2
6			Screw, Shoulder Hex Socket Head (3/8" x 3-1/2", 5/16-18)	1	1
7			Washer, Flat (5/16 x 5/8 x 1/16")	1	2
8			Locknut (5/16-18)	1	2
9			Screw, Shoulder Hex Socket Head (3/8 x 1-3/4", 5/16-18)	1	1
10			Washer, Plain (1/4 x 9/16 x 1/16")	1	1
			Instruction Sheet, Tilt Actuator Motor Installation	1	1
11	B	1101400	Harness, ELRPW Power Legrest - Right	1	1

NOTE: A - Includes items 4-10 and Installation Instruction Sheet.
 B - Part number 1101400 traditionally used for ELRPW legrests is also used for the Formula CG Tilt Actuator Motor on Pronto M51 bases
 C - Due to NEW Installation procedures, refer to the Tilt Actuator Replacement Service Manual included with the Kit for assistance.
 D - Includes the Tilt Conventional Actuator Motor, Bushings, Installation Assembly Tool, Slotted Spring Pin, Silicon Lubricant, Warning Label and Instructions. Components are not sold separately.
 E - Includes Part #1190604 Supplemental Power Wheelchair Warnings/Wear and Tear Information Owner's Manual.