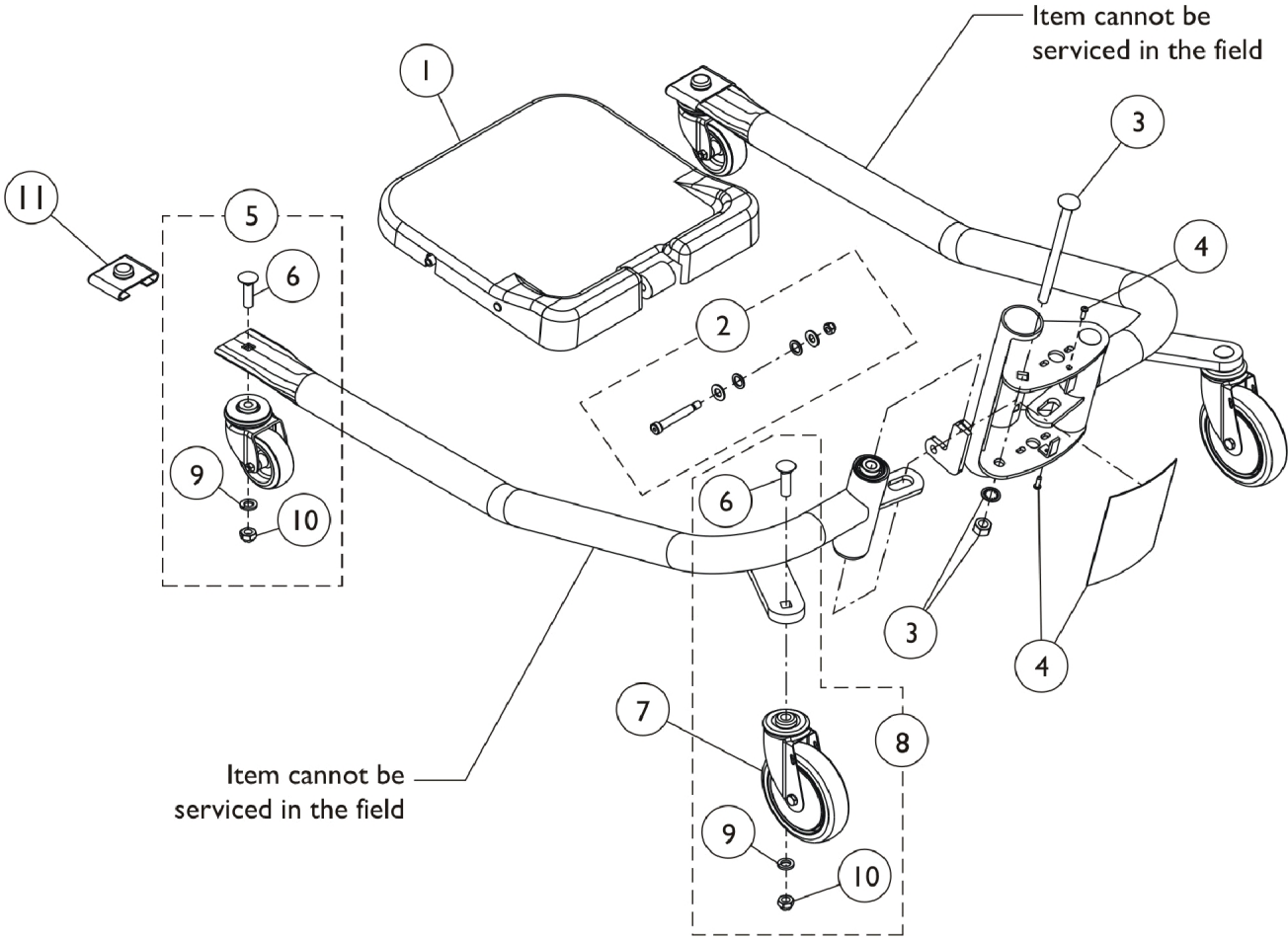


# Base Assembly - Get-U-Up - GHS350



## Base Assembly - Get-U-Up - GHS350

Item Number	Note	Part Number	Description	Quantity Per	
				Package	Assembly
1		1148212	Footplate Assembly, Beige	1	1
2	A	1152594	Kit, Boom Hardware	1	1
			NLA - Screw, Shoulder Hex Socket Head (3/8 x 1-1/4", 5/16-18)	1	1
			NLA - Locknut (5/16-18)	1	3
			Screw, Shoulder Hex Socket Head (3/8" x 2-1/4", 5/16-18)	1	2
			Washer, Nylon (3/4 x 1/2 x 1/16")	1	4
			NLA - Washer (3/8 x 13/16 x 1/16")	1	4
3		1123448	Kit, Base Bolt	1	1
			NLA - Washer, Lock (1/2 x 7/8 x 1/32")	1	1
			NLA - Nut (1/2-13)	1	1
			NLA - Bolt, Carriage (1/2-13 x 6-3/4")	1	1
4		1152596-NLA	NLA - Kit, Plate Cover with Screws	1	1
			Cover, Plate	1	1
			Screw (#8-18 x 5/8")	1	2
5		1152591	Kit, 3" Caster with Hardware	1	1
			Caster Assembly, Swivel (3")	1	1
			NLA - Bolt, Carriage (7/16-14 x 1-3/4")	1	1
			NLA - Washer, Lock (7/16 x 25/32 x 1/64")	1	1
			NLA - Locknut (7/16-14)	1	1
6		1026474-NLA	NLA - Bolt, Carriage (7/16-14 x 1-3/4")	1	4
7	B	1123536-NLA	NLA - Caster Assembly, Swivel (5")	1	2
8		1123449	Kit, Caster, Swivel (Pair)	1	1
			Fork, Swivel	1	2
			Locknut (3/8-16)	1	2
			Screw, Hex Head Cap (3/8-16 x 2-1/4")	1	2
			Wheel (5")	1	2
			Bolt, Round Head Square Neck (7/16-14 x 1-1/2")	1	2
			Locknut (7/16-14)	1	2
			NLA - Washer, Lock (7/16 x 25/32 x 1/64")	1	2
			Instruction Sheet, Installation	1	1
9		1014808-NLA	NLA - Washer, Lock (7/16 x 25/32 x 1/64")	1	4
10		1024297-NLA	NLA - Locknut (7/16-14)	1	4
11	C	1123442-NLA	NLA - Kit, Plugs and Caps	1	1
			NLA - Plug Button, Metal, Chrome (1-3/4")	2	1
			NLA - Cap, Mast	1	1
			Cap, End, Grey (2 x 2-1/2")	2	1

NOTE: A - The Shoulder Screw (3/8 x 1 1/4, 5/16-18) that is included in this kit is used for the Arm and Horn Assembly. See category titled, "Arm & Horn Assembly - Get-U-Up - GHS350". Use (1) Shoulder Screw (3/8-14 x 2 1/4) to mount the footplate.  
B - No longer available. See 1123449 for replacement.  
C - Includes (2) Plug Buttons, (2) leg end caps and (1) Mast Cap. See category titled, "Mast Assembly - Get - U - Up - GHS350" for Plug Button. Single mast cap not used on this model and may be discarded.