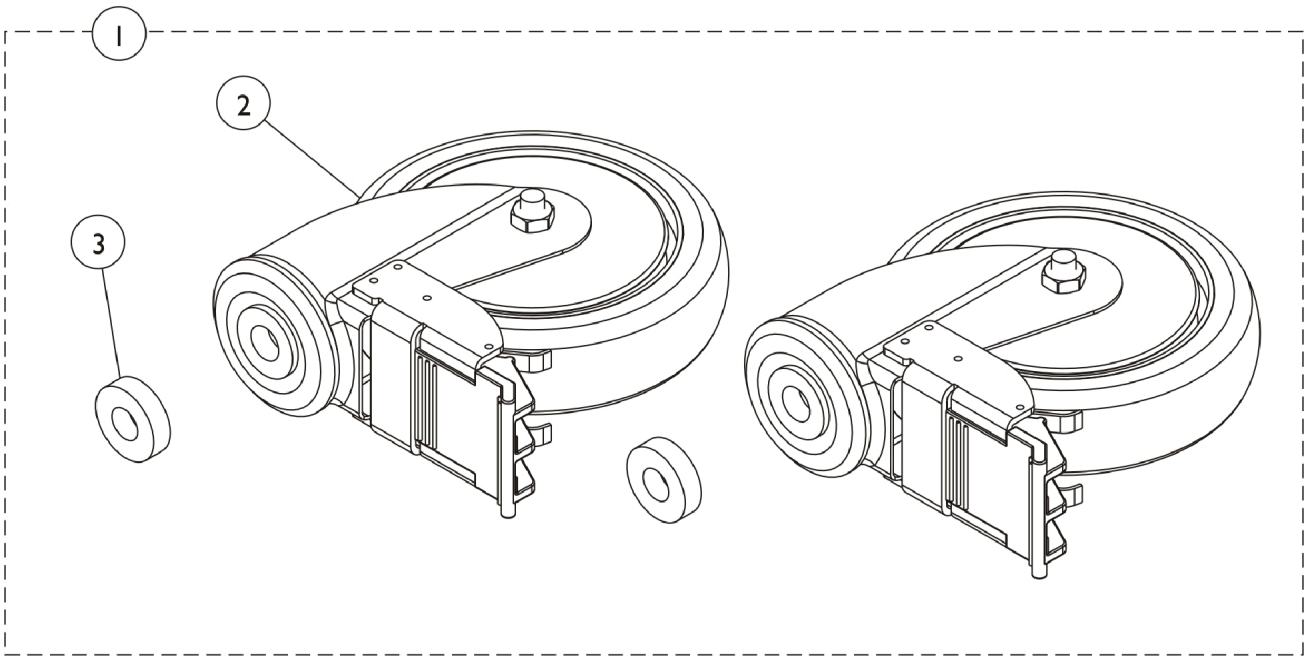
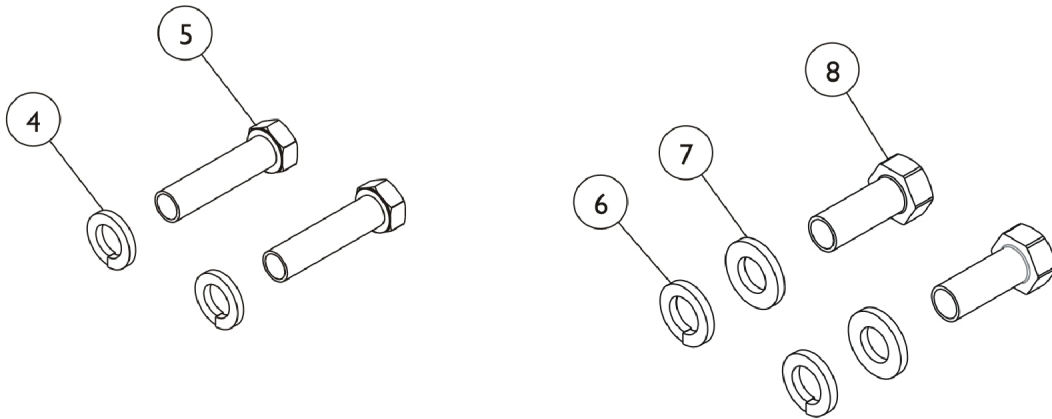


Locking Caster Kit (1110421 Pair)

For Reliant, 9805/9805P and GHS350 Lifts



Locking Caster Kit (1110421 Pair) For Reliant, 9805/9805P and GHS350 Lifts

Item Number	Note	Part Number	Description	Quantity Per	
				Package	Assembly
1	A	1110421	Kit, Caster Assembly, Swivel w/ Brake (5") (Pair)	1	1
2			Caster Assembly, Swivel w/ Brake (5")	1	2
3			Bushing (15/32 x 1-1/16 x 9/32")	1	2
			Instruction Sheet	1	1
2	B,C	1123539	Caster Assembly, Swivel w/ Brake (5")	1	2
4		1014808-NLA	NLA - Washer, Lock (7/16 x 25/32 x 1/64")	1	2
5		1015981-NLA	NLA - Screw, Hex Head (7/16-14 x 1-3/4")	1	2
6		1014371	Lockwasher (1/2")	1	2
7		1073885-NLA	NLA - Washer (1/2 x 15/16 x 1/8")	1	2
8		1073884	Screw, Hex Head (1/2-13 x 1-1/4")	1	2
	D	1024415-NLA	NLA - Instruction Sheet	1	1

NOTE: A - Instruction sheet for this kit not shown. Bushings added 7/30/12 to be used for 9805/9805P Lifts only. The Bushings provide clearance to rotate casters freely. Kit 1110421 replaced Model 9935 that is No Longer Available.
 B - Also available as a pair, refer to Part #1110421. It is recommended to order the Caster Assembly Kit for 9805/9805P Lifts that includes Bushings to provide caster rotation clearance.
 C - This item includes a Wheel, Thread Guards, Axle and Nut which is "Not Assembled."
 D - Not Shown.