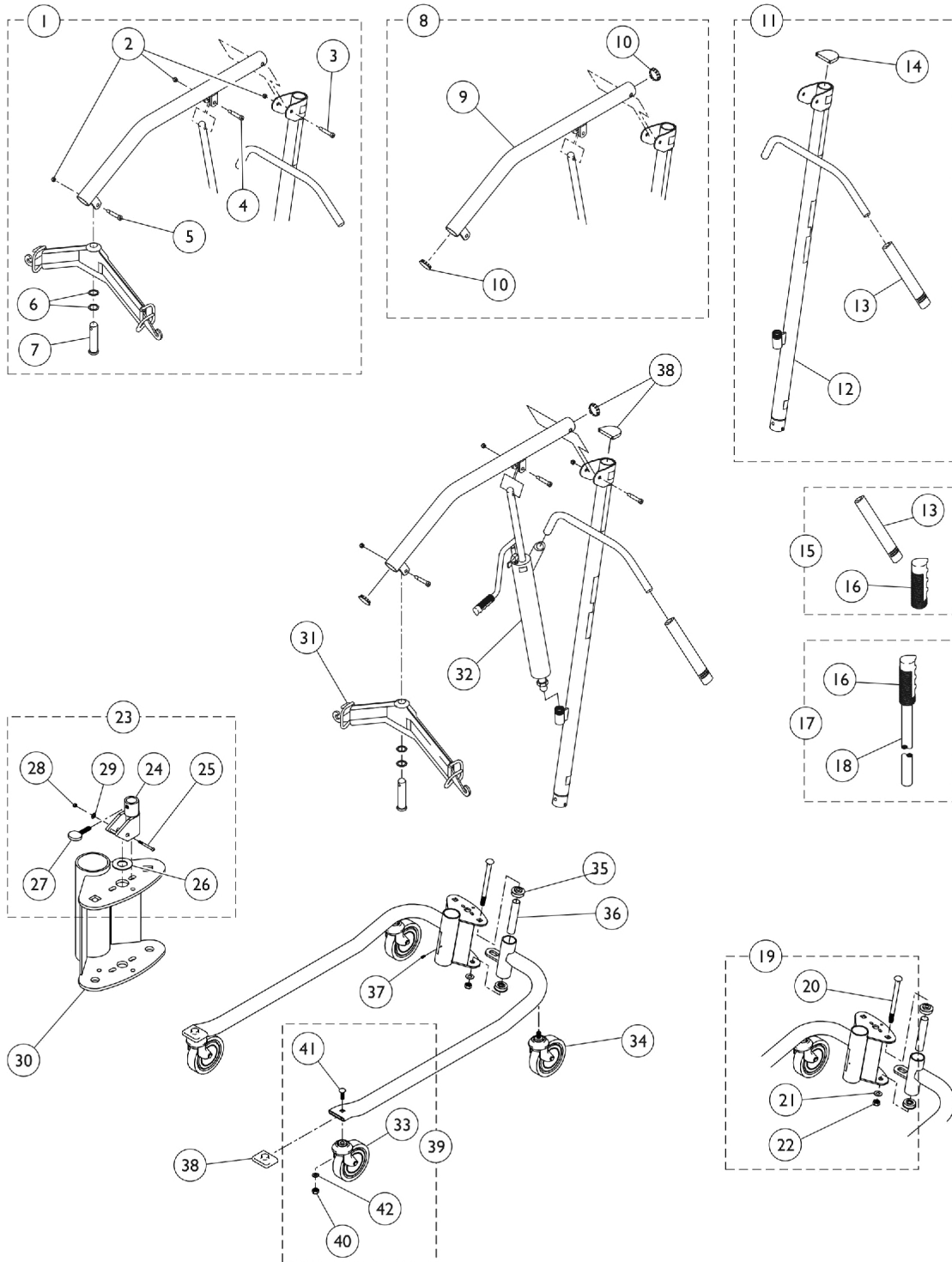


Hydraulic Patient Lift - 9805P

When using a RLS6 Scale on the 9805 Series Lift, a Reliant Hanger Bar Retrofit Kit is required. The correct Hanger Pin is included with the RLS6 Scale. The Reliant Style Hanger Bar may not be used on the 9805 Series Lifts WITHOUT the Scale. The Hanger Pin (1064339) used when the Scale is not attached will not fit the 9805 Series Lift.



Hydraulic Patient Lift - 9805P

When using a RLS6 Scale on the 9805 Series Lift, a Reliant Hanger Bar Retrofit Kit is required. The correct Hanger Pin is included with the RLS6 Scale. The Reliant Style Hanger Bar may not be used on the 9805 Series Lifts WITHOUT the Scale. The Hanger Pin (1064339) used when the Scale is not attached will not fit the 9805 Series Lift.

Item Number	Note	Part Number	Description	Quantity Per	
				Package	Assembly
1	E	1123443	Kit, Hardware, Boom	1	1
2			NLA - Locknut (5/16-18)	3	1
3			Screw, Shoulder Hex Socket Head (3/8" x 2-1/4", 5/16-18)	1	1
4			Screw, Shoulder Hex Socket Head (3/8" x 1-1/2", 5/16-18)	1	1
5			NLA - Screw, Shoulder Hex Socket Head (3/8 x 1-1/4", 5/16-18)	1	1
6			Washer, Nylon (1-1/64 x 1-11/32 x 1/16")	2	1
7			Pin (1-1/4" x 4-1/4")	1	1
8		1140728	Kit, Boom - 9805P	1	1
9			Bar, Boom - 9805P	1	1
10			Button - 9805P (1-3/4")	2	1
11		1140729	Kit, Mast - 9805P	1	1
12			Mast - 9805P	1	1
13			Grip, Hand - 9805	2	1
14			Cap, Mast	1	1
15		1123444	Kit, Handgrip	1	1
13			Grip, Hand - 9805	2	1
16			NLA - Grip, Handle - 9805	1	1
17		1140730	Kit, Shifter	1	1
16			NLA - Grip, Handle - 9805	1	1
18			Handle, Shifter - 9805	1	1
19	E,F	1123448	Kit, Base Bolt	1	1
20			NLA - Bolt, Carriage (1/2-13 x 6-3/4")	1	1
21			NLA - Washer, Lock (1/2 x 7/8 x 1/32")	1	1
22			NLA - Nut (1/2-13)	1	1
23	E	1140731	Kit, Camlock w/ Hardware	1	1
24			Cam, Lock	1	1
25			NLA - Screw, Socket Button Head (1/4-20 x 1-7/16")	1	1
26			NLA - Bushing (5/8 x 1-1/8 x 5/16")	1	1
27			NLA - Screw, Thumb (1/4-20 x 1")	1	1
28			Locknut (1/4-20)	1	1
29			NLA - Washer, Flat (1/4 x 1/2 x 1/16")	1	1
			NLA - Instruction Sheet	1	1
30		1140721-NLA	NLA - Socket - Beige	1	1
31	A	1140717	Bar, Hanger - 9805P	1	1
32		9099P	Pump, Hydraulic	1	1
34	H	1123447	Kit, Caster, Rear (Pair)	1	2
			Fork, Swivel	1	2
			Screw, Hex Head Cap w/ Patch (7/16-14 x 1-1/2")	1	2
			NLA - Washer, Lock (7/16 x 25/32 x 1/64")	1	2
			Wheel (5")	1	2

Hydraulic Patient Lift - 9805P

When using a RLS6 Scale on the 9805 Series Lift, a Reliant Hanger Bar Retrofit Kit is required. The correct Hanger Pin is included with the RLS6 Scale. The Reliant Style Hanger Bar may not be used on the 9805 Series Lifts WITHOUT the Scale. The Hanger Pin (1064339) used when the Scale is not attached will not fit the 9805 Series Lift.

Item Number	Note	Part Number	Description	Quantity Per	
				Package	Assembly
			Screw, Hex Head Cap (3/8-16 x 2-1/4")	1	2
			Locknut (3/8-16)	1	2
			Instruction Sheet, Installation	1	1
35		90068X000	Bearing, Flange	1	1
36		90071X000-NLA	NLA - Spacing, Bearing	1	1
37		60284X001	Screw, Socket Head (1/4-20 x 1/2")	1	1
38		1123442-NLA	NLA - Kit, Plugs and Caps	1	1
			NLA - Plug Button, Metal, Chrome (1-3/4")	2	1
			NLA - Cap, Mast	1	1
			Cap, End, Grey (2 x 2-1/2")	2	1
39		1123449	Kit, Caster, Swivel (Pair)	1	1
			Fork, Swivel	1	2
			Locknut (3/8-16)	1	2
			Screw, Hex Head Cap (3/8-16 x 2-1/4")	1	2
			Wheel (5")	1	2
			Bolt, Round Head Square Neck (7/16-14 x 1-1/2")	1	2
			Locknut (7/16-14)	1	2
			NLA - Washer, Lock (7/16 x 25/32 x 1/64")	1	2
			Instruction Sheet, Installation	1	1
39	B,G	1110421	Kit, Caster Assembly, Swivel w/ Brake (5") (Pair)	1	1
			Caster Assembly, Swivel w/ Brake (5")	1	2
			Bushing (15/32 x 1-1/16 x 9/32")	1	2
			Instruction Sheet	1	1
	B,C,D	1143629	Kit, Hanger Bar w/ Latches - Retrofit	1	1
			Bar, Hanger	1	1
			Bar, Pad	1	1
	B	1110421	Kit, Caster Assembly, Swivel w/ Brake (5") (Pair)	1	1
			Caster Assembly, Swivel w/ Brake (5")	1	2
			Bushing (15/32 x 1-1/16 x 9/32")	1	2
			Instruction Sheet	1	1
	B	9884P	Base Assembly Only, Adjustable, Painted (For 9805P Hydraulic Lift)	1	1

NOTE: A - When determining the right side from left side for this product, you must stand in front of the operating controls and face the lift.
 B - Not Shown.
 C - When using the RLS6 Scale Kit with the 9805 Series Lift, Hanger Bar Kit Part Number 1143629 is required.
 D - When using the Hanger Bar Kit to retrofit with the 9805 Series Lift, Part Number 1064339 is required.
 E - Parts marked "NLA" within this Kit are not available for individual sale. The complete kit must be ordered to receive all individual parts listed.
 F - Includes items 20 - 22.
 G - For Illustration of locking casters, see category titled "Locking Casters - 9935". Bushings added 7/30/12 to provide clearance to rotate Casters freely.
 H - Sold complete.