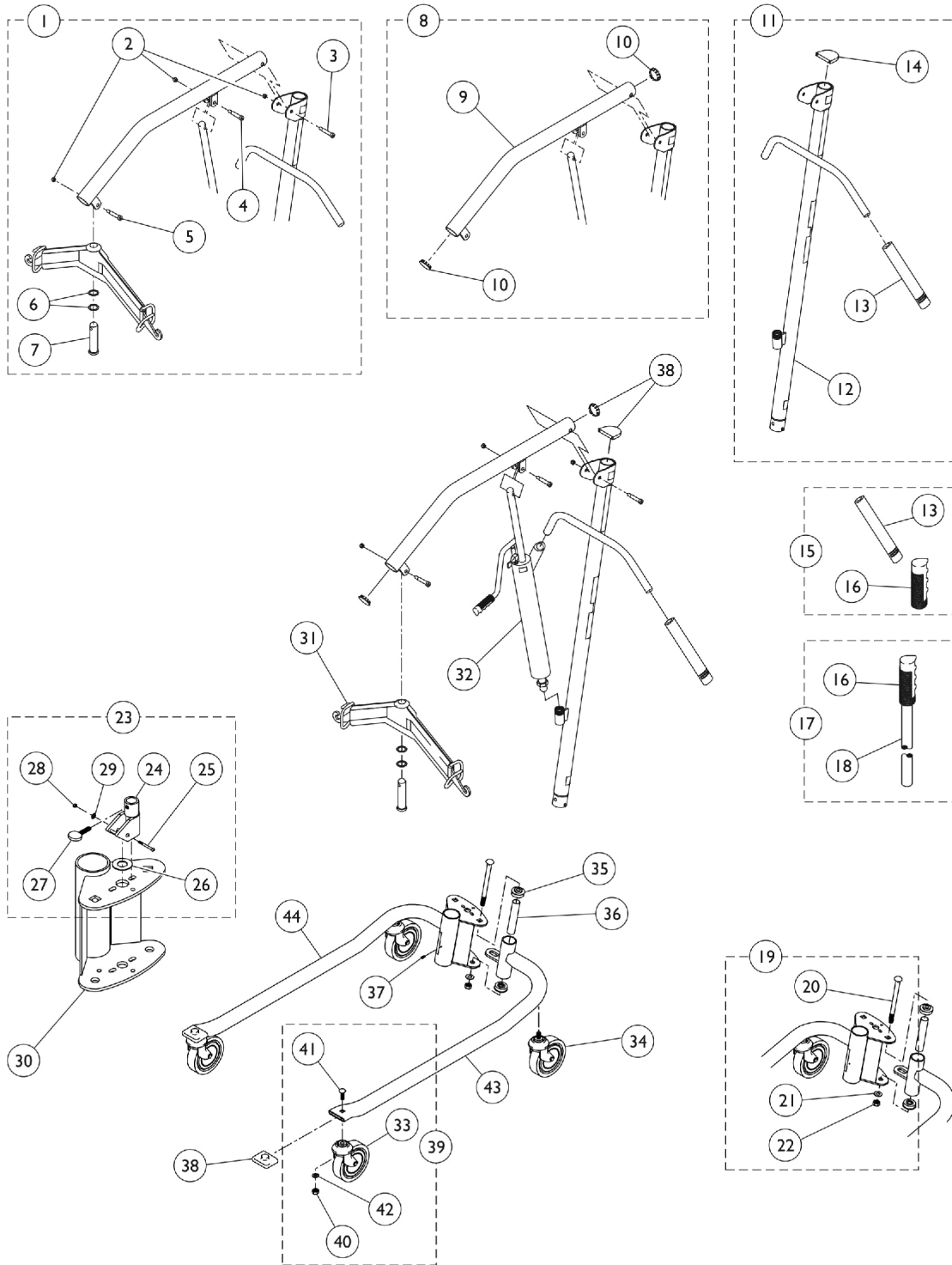


# Hydraulic Patient Lift - 9805

## Includes 9800 Mast & 9884 Base

When using a RLS6 Scale on the 9805 Series Lift, a Reliant Hanger Bar Retrofit Kit is required. The correct Hanger Pin is included with the RLS6 Scale. The Reliant Style Hanger Bar may not be used on the 9805 Series Lifts WITHOUT the Scale. The Hanger Pin (1064339) used when the Scale is not attached will not fit the 9805 Series Lift.



# Hydraulic Patient Lift - 9805

## Includes 9800 Mast & 9884 Base

When using a RLS6 Scale on the 9805 Series Lift, a Reliant Hanger Bar Retrofit Kit is required. The correct Hanger Pin is included with the RLS6 Scale. The Reliant Style Hanger Bar may not be used on the 9805 Series Lifts WITHOUT the Scale. The Hanger Pin (1064339) used when the Scale is not attached will not fit the 9805 Series Lift.

Item Number	Note	Part Number	Description	Quantity Per	
				Package	Assembly
1	G	1123443	Kit, Hardware, Boom	1	1
2			NLA - Locknut (5/16-18)	3	1
3			Screw, Shoulder Hex Socket Head (3/8" x 2-1/4", 5/16-18)	1	1
4			Screw, Shoulder Hex Socket Head (3/8" x 1-1/2", 5/16-18)	1	1
5			NLA - Screw, Shoulder Hex Socket Head (3/8 x 1-1/4", 5/16-18)	1	1
6			Washer, Nylon (1-1/64 x 1-11/32 x 1/16")	2	1
7			Pin (1-1/4" x 4-1/4")	1	1
8		1123450	Kit, Boom	1	1
9			NLA - Boom, Chrome	1	1
10			NLA - Plug Button, Metal, Chrome (1-3/4")	2	1
11		1123451	Kit, Mast	1	1
12			Mast, Chrome	1	1
13			Grip, Hand - 9805	2	1
14			NLA - Cap, Mast	1	1
15		1123444	Kit, Handgrip	1	1
13			Grip, Hand - 9805	2	1
16			NLA - Grip, Handle - 9805	1	1
17	E,G	1123445	Kit, Shifter	1	1
16			NLA - Grip, Handle - 9805	1	1
18			Handle, Shifter, Chrome	1	1
19		1123448	Kit, Base Bolt	1	1
20			NLA - Bolt, Carriage (1/2-13 x 6-3/4")	1	1
21			NLA - Washer, Lock (1/2 x 7/8 x 1/32")	1	1
22			NLA - Nut (1/2-13)	1	1
23	G	1052250	Kit, Cam Lock	1	1
24			Lock, Cam, Chrome	1	1
25			NLA - Screw, Socket Button Head (1/4-20 x 1-7/16")	1	1
26			NLA - Bushing (5/8 x 1-1/8 x 5/16")	1	1
27			NLA - Screw, Thumb (1/4-20 x 1")	1	1
28			Locknut (1/4-20)	1	1
29			NLA - Washer, Flat (1/4 x 1/2 x 1/16")	1	1
			NLA - Instruction Sheet	1	1
30		90200X000-NLA	NLA - Socket - Chrome	1	1
31		1095642	Bar, Swivel with Pad, Chrome	1	1
32		9099-NLA	NLA - Pump	1	1
34	G	1123447	Kit, Caster, Rear (Pair)	1	1
			Fork, Swivel	1	2
			Screw, Hex Head Cap w/ Patch (7/16-14 x 1-1/2")	1	2
			NLA - Washer, Lock (7/16 x 25/32 x 1/64")	1	2

# Hydraulic Patient Lift - 9805

## Includes 9800 Mast & 9884 Base

When using a RLS6 Scale on the 9805 Series Lift, a Reliant Hanger Bar Retrofit Kit is required. The correct Hanger Pin is included with the RLS6 Scale. The Reliant Style Hanger Bar may not be used on the 9805 Series Lifts WITHOUT the Scale. The Hanger Pin (1064339) used when the Scale is not attached will not fit the 9805 Series Lift.

Item Number	Note	Part Number	Description	Quantity Per	
				Package	Assembly
			Wheel (5")	1	2
			Screw, Hex Head Cap (3/8-16 x 2-1/4")	1	2
			Locknut (3/8-16)	1	2
			Instruction Sheet, Installation	1	1
35		90068X000	Bearing, Flange	1	4
36		90071X000-NLA	NLA - Spacing, Bearing	1	2
37		60284X001	Screw, Socket Head (1/4-20 x 1/2")	1	1
38		1123442-NLA	NLA - Kit, Plugs and Caps	1	1
			NLA - Plug Button, Metal, Chrome (1-3/4")	2	1
			NLA - Cap, Mast	1	1
			Cap, End, Grey (2 x 2-1/2")	2	1
39	G	1123449	Kit, Caster, Swivel (Pair)	1	2
			Fork, Swivel	1	2
			Locknut (3/8-16)	1	2
			Screw, Hex Head Cap (3/8-16 x 2-1/4")	1	2
			Wheel (5")	1	2
			Bolt, Round Head Square Neck (7/16-14 x 1-1/2")	1	2
			Locknut (7/16-14)	1	2
			NLA - Washer, Lock (7/16 x 25/32 x 1/64")	1	2
			Instruction Sheet, Installation	1	1
39	A,F	1110421	Kit, Caster Assembly, Swivel w/ Brake (5") (Pair)	1	1
			Caster Assembly, Swivel w/ Brake (5")	1	2
			Bushing (15/32 x 1-1/16 x 9/32")	1	2
			Instruction Sheet	1	1
43	B	1024283	Leg, Chrome - Left	1	1
44	B	1024282	Leg, Chrome - Right	1	1
	A,G,I	1060539-NLA	NLA - Kit, Boom Retro Fit	1	1
			Pin (1-1/4" x 4-1/4")	1	1
			Bar, Swivel with Pad, Chrome	1	1
			Washer, Nylon (1-1/64 x 1-11/32 x 1/16")	1	2
			NLA - Plug Button, Metal, Chrome (1-3/4")	1	2
			NLA - Locknut (5/16-18)	1	3
			Screw, Shoulder Hex Socket Head (3/8" x 1-1/2", 5/16-18)	1	1
			NLA - Screw, Shoulder Hex Socket Head (3/8 x 1-1/4", 5/16-18)	1	1
			Screw, Shoulder Hex Socket Head (3/8" x 2-1/4", 5/16-18)	1	1
			NLA - Boom, Chrome	1	1
			NLA - Instruction Sheet	1	1
	A,C,D	1143629	Kit, Hanger Bar w/ Latches - Retrofit	1	1
			Bar, Hanger	1	1
			Bar, Pad	1	1

# Hydraulic Patient Lift - 9805

## Includes 9800 Mast & 9884 Base

When using a RLS6 Scale on the 9805 Series Lift, a Reliant Hanger Bar Retrofit Kit is required. The correct Hanger Pin is included with the RLS6 Scale. The Reliant Style Hanger Bar may not be used on the 9805 Series Lifts WITHOUT the Scale. The Hanger Pin (1064339) used when the Scale is not attached will not fit the 9805 Series Lift.

Item Number	Note	Part Number	Description	Quantity Per	
				Package	Assembly
	A	1110421	Kit, Caster Assembly, Swivel w/ Brake (5") (Pair)	1	1
			Caster Assembly, Swivel w/ Brake (5")	1	2
			Bushing (15/32 x 1-1/16 x 9/32")	1	2
			Instruction Sheet	1	1
	A	9884	Base Assembly Only, Adjustable, Chrome (For 9805 Hydraulic Lift)	1	1

NOTE: A - Not Shown.  
 B - When determining the right side from the left side, you must stand in front of the operating controls and face the lift.  
 C - When using the RLS6 Scale Kit with the 9805 Lift, Hanger Bar Kit Part Number 1143629 is also required.  
 D - When using Hanger Bar Kit to retrofit with the 9805 lift, Part Number 1064339 is also required.  
 E - The tubing diameter for the grip is 7/8 of an inch.  
 F - For Illustration of locking casters, see category titled "Locking Casters - 9935". Bushings added 7/30/12 to provide clearance to rotate Casters freely.  
 G - Sold Complete  
 I - Part number 1060540 is no longer available from the Invacare Service Parts Department. Refer to the Invacare Website under "Product Literature Search". Enter the part number in the "Keywords" field and download a free PDF version copy.