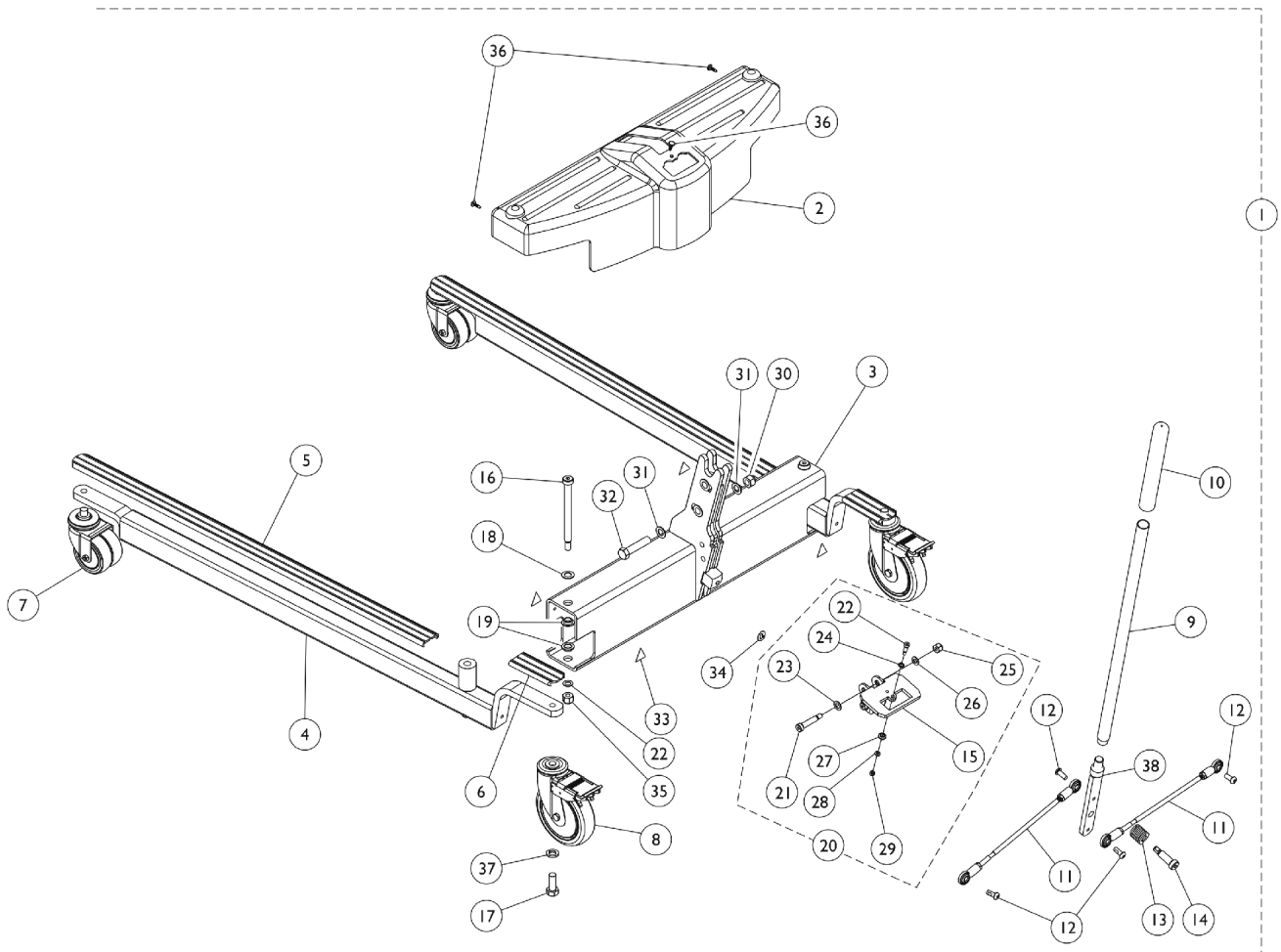


# Base Assembly (After 7/1/10) Model RPL600-1

**NOTE:** After 7/1/10, when using Item 3 (1132033) to replace the previous Cross Support (1078300), Items 20 (1169830) and Item 38 (1156176) should be ordered also.



# Base Assembly (After 7/1/10)

## Model RPL600-1

**NOTE: After 7/1/10, when using Item 3 (1132033) to replace the previous Cross Support (1078300), Items 20 (1169830) and Item 38 (1156176) should be ordered also.**

Item Number	Note	Part Number	Description	Quantity Per	
				Package	Assembly
1	A	1079810	Kit, Base - Low, Adjustable	1	1
2		1156185	Shroud	1	1
3	E	1132033	Cross Support	1	1
4		1095672	Leg, Adjustable, Low Base, Grey	1	2
5	G	1070114	Cover, Front Leg (Long)	1	2
6	H	1079137	Cover, Rear Leg (Short) - Low Base/ Standard Base	1	2
7	D	1123560	Caster, Swivel Dual (3")	1	2
8	B	1123539	Caster Assembly, Swivel w/ Brake (5")	1	2
	C,F	1110421	Kit, Caster Assembly, Swivel w/ Brake (5") (Pair)	1	1
			Caster Assembly, Swivel w/ Brake (5")	1	2
			Bushing (15/32 x 1-1/16 x 9/32")	1	2
			Instruction Sheet	1	1
9		1078287	Handle, Grey	1	1
10		1032246	Grip, Cane	1	1
11		1065152	Tie Rod Assembly	1	2
12		1155720	Screw, Socket, Button Head w/ Patch (5/16-18 x 13/16")	1	4
13		1064122	Spring, Compression (1 x 1-1/16 x 1/8")	1	1
14		1029134	Screw, Shoulder Hex Socket Head w/ Patch (1/2" x 1-1/4", 3/8-16)	1	1
16		1062424	Screw, Shoulder Hex Socket Head (1/2" x 5", 3/8-16)	1	2
17		1073884	Screw, Hex Head (1/2-13 x 1-1/4")	1	2
18		1026174	Washer (1/2 x 7/8 x 3/64")	1	2
19		1062419	Bushing, Flanged	1	4
20	E	1169830	Kit, Index Plate w/ Hardware	1	1
15			Bracket, Index Plate	1	1
21			Screw, Shoulder Hex Socket Head (3/8 x 1-1/2", 5/16-18)	1	2
22			Screw, Shoulder, Hex Socket (1/4 x 1/2", 10-32)	1	1
23			Washer, Flat (5/16 x 5/8 x 1/16")	1	2
24			Washer, Flat (1/4 x 3/8 x 1/16)	1	1
25			Locknut (5/16-18)	1	2
26			Roller, Index Plate	1	1
27			Washer, Flat (7/32 x 13/32 x 1/16)	1	1
28			Locknut (#10-32)	1	1
29			Washer, Flat (3/8 x 11/16 x 1/16")	1	2
30		1078981	Locknut (1/2-13)	1	1
31		1026174	Washer (1/2 x 7/8 x 3/64")	1	2
32		1078979	Screw, Hex Head (1/2-13 x 2-1/4")	1	1
33		1079112	Label, Attention	1	4
34		1079113	Label, Year of Manufacture	1	1
35		1065216	Locknut (3/8-16)	1	2
36		1023632	Clip, Shroud	1	3
37		1014371	Lockwasher (1/2")	1	2

## Base Assembly (After 7/1/10) Model RPL600-1

**NOTE: After 7/1/10, when using Item 3 (1132033) to replace the previous Cross Support (1078300), Items 20 (1169830) and Item 38 (1156176) should be ordered also.**

Item Number	Note	Part Number	Description	Quantity Per	
				Package	Assembly
38	E	1156176	Handle, Mounting	1	1
NOTE: A - Includes items 2-14, and 16-37. B - Also available as a pair, see 1110421. C - Not shown in illustration. D - Caster stem is threaded, no additional hardware needed. E - After 7/1/10, when using Item 3 (1132033) to replace the previous Cross Support (1078300), Items 20 (1169830) and Item 38 (1156176) should be ordered also. F - Bushings added 7/30/12 and used for 9805/9805P Lifts only to provide clearance for the caster to rotate freely. G - As of 11/09/21 item 5 part #1070114 Long Leg Cover was replaced w/ item 6 part #1079137 Short Leg Cover. H - As of 11/09/21 item 6 is assembled to both Front and Rear of Base Leg Assembly.					