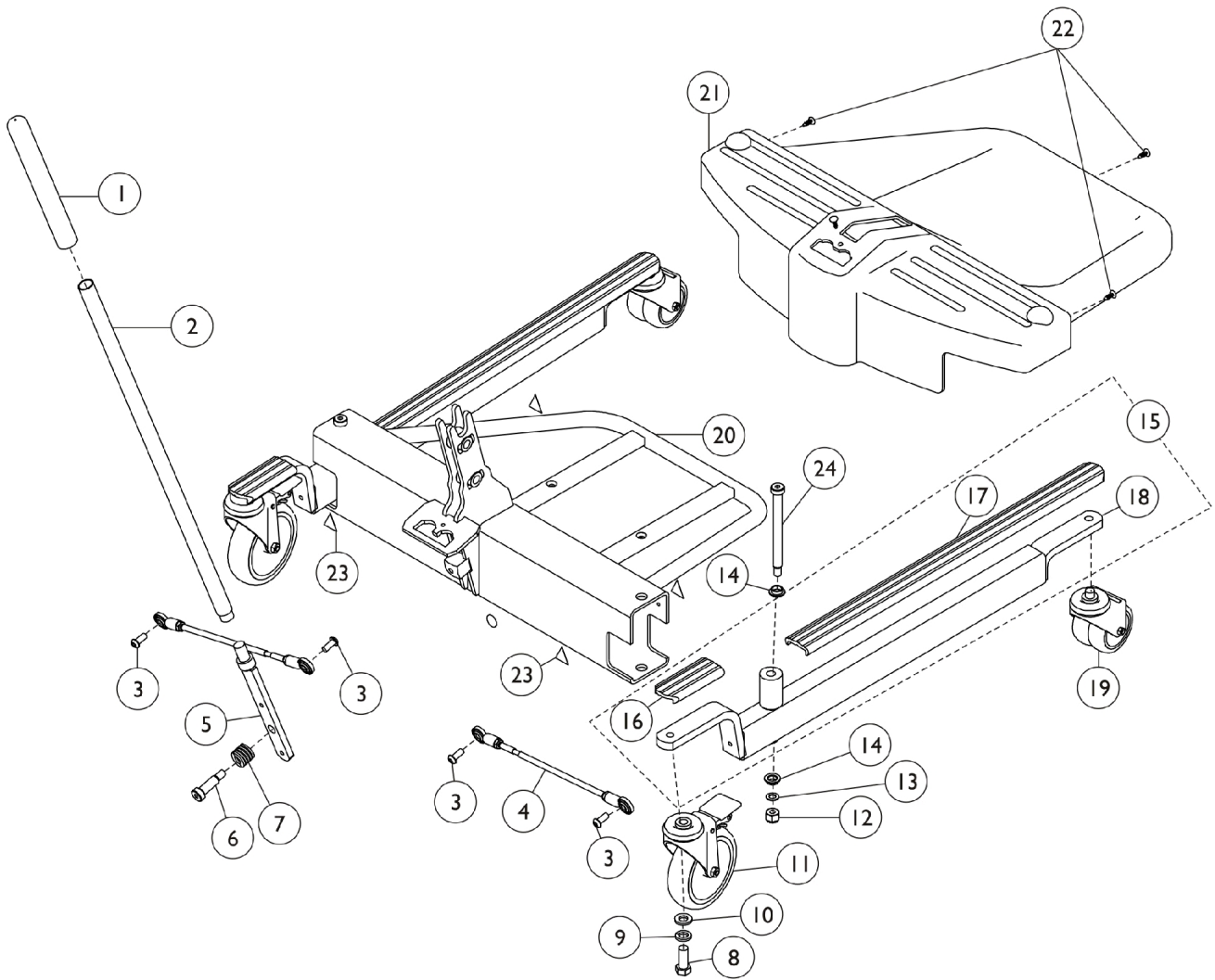


Base Assembly (Before 7/2/10)

Model RPS350-1



Base Assembly (Before 7/2/10) Model RPS350-1

Item Number	Note	Part Number	Description	Quantity Per	
				Package	Assembly
1		1032246	Grip, Cane	1	1
2		1078287	Handle, Grey	1	1
3		1065215	Screw, Socket Button Head w/ Patch (5/16-18 x 3/4")	1	4
4		1065152	Tie Rod Assembly	1	2
5		1078289-NLA	NLA - Handle, Mount	1	1
6		1029134	Screw, Shoulder Hex Socket Head w/ Patch (1/2" x 1-1/4", 3/8-16)	1	1
7		1064122	Spring, Compression (1 x 1-1/16 x 1/8")	1	1
8		1073884	Screw, Hex Head (1/2-13 x 1-1/4")	1	2
9		1014371	Lockwasher (1/2")	1	2
10		1073885-NLA	NLA - Washer (1/2 x 15/16 x 1/8")	1	2
11	C	1123539	Caster Assembly, Swivel w/ Brake (5")	1	2
	D,G	1110421	Kit, Caster Assembly, Swivel w/ Brake (5") (Pair)	1	1
			Caster Assembly, Swivel w/ Brake (5")	1	2
			Bushing (15/32 x 1-1/16 x 9/32")	1	2
			Instruction Sheet	1	1
12		1065216	Locknut (3/8-16)	1	2
13		1065214	Washer, Flat (3/8 x 11/16 x 1/16")	1	2
14		1062419	Bushing, Flanged	1	4
15	A	1095673	Kit, Leg	1	1
16			Cover, Rear Leg (Short) - Low Base/ Standard Base	1	2
17			NLA - Cover, Leg	1	2
18			Leg, Single	1	2
18	F	1095671	Leg, Single	1	2
18	B	1078977-NLA	Leg, Single	1	2
19	E	1123560	Caster, Swivel Dual (3")	1	2
20	I	1078973-NLA	NLA - Cross Support	1	1
21	H	1078294-NLA	NLA - Shroud, Footrest	1	1
21		1156179	Shroud, Footrest	1	1
22		1023632	Clip, Shroud	1	4
23		1079112	Label, Attention	1	1
24		1062424	Screw, Shoulder Hex Socket Head (1/2" x 5", 3/8-16)	1	2

NOTE: A - After 4/13/00 Base Legs were lowered for improved clearance.
 B - Before 4/14/00.
 C - Also, available as a pair, refer to Part #1110421.
 D - Not Shown.
 E - Caster stem is threaded. No additional hardware needed.
 F - For all lifts built before 4/14/2000, must buy two with no covers included.
 G - Bushings added 7/30/12 and used for 9805/9805P Lifts only to provide clearance for the caster to rotate freely.
 H - Part #1078294 is NLA. Order Item #21 part number 1156179 as a replacement.
 I - See Page titled Base Assembly RPS 350-1 Dated After 7/1/10 and order item number 1, 9 and 34 as a replacement.