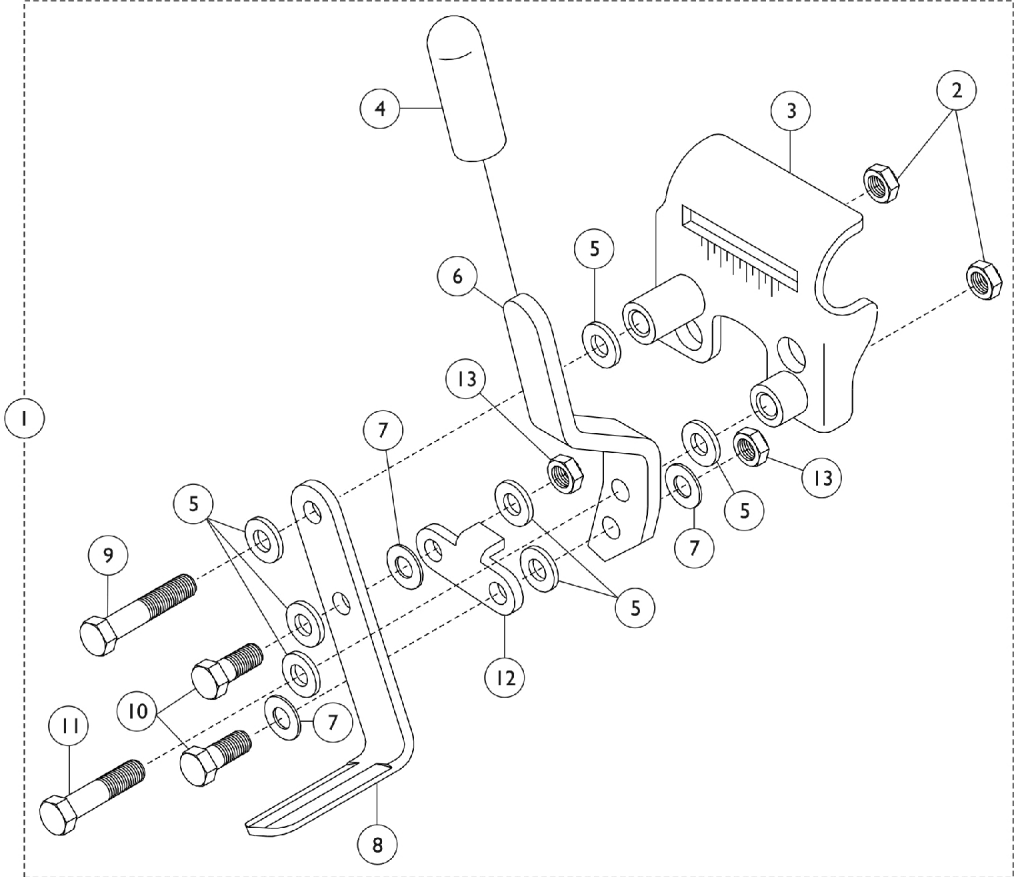
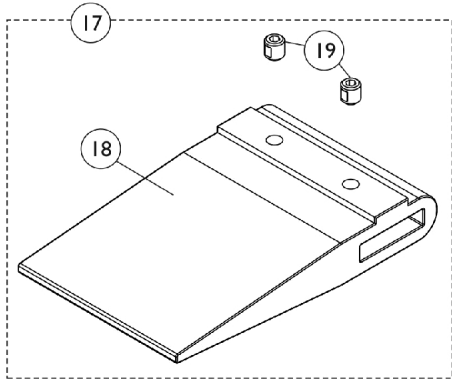
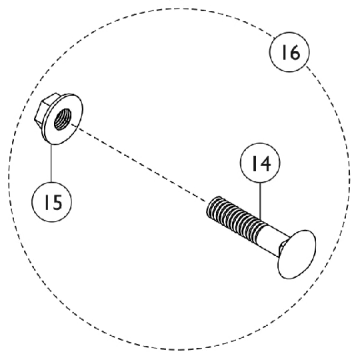


Link-Pivot Style Wheel Locks

Flip Back Arm - EX2, SX5 (After 4/14/07)



Attaching Hardware



Link-Pivot Style Wheel Locks Flip Back Arm - EX2, SX5 (After 4/14/07)

| Item Number | Note | Part Number | Description | Quantity Per | |
|-------------|-------|-------------|---|--------------|----------|
| | | | | Package | Assembly |
| 1 | A | 1101452 | Wheel Lock Assembly, Push to Lock, Black - Right | 1 | 1 |
| 1 | A | 1101453 | Wheel Lock Assembly, Push to Lock, Black - Left | 1 | 1 |
| 1 | A | 1101454 | Wheel Lock Assembly, Pull to Lock, Black - Right | 1 | 1 |
| 1 | A | 1101455 | Wheel Lock Assembly, Pull to Lock, Black - Left | 1 | 1 |
| 2 | | 1025195 | Locknut (1/4-20) | 1 | 1 |
| 3 | | 1053284 | Bracket, Mounting, Black - Right | 1 | 1 |
| 3 | | 1053285 | Bracket, Mounting, Black - Left | 1 | 1 |
| 4 | | 47376X024 | Tip, Rubber Wheel Lock Handle, Black | 1 | 1 |
| 5 | | 1026033 | Washer, Nylon (1/4 x 1/2 x 1/16") | 1 | 7 |
| 6 | | 1102134 | Handle, Push/ Lock, Black - Right | 1 | 1 |
| 6 | | 1102135 | Handle, Push/ Lock, Black - Left | 1 | 1 |
| 6 | | 1031780-NLA | NLA - Handle, Pull/ Lock, Black - Right | 1 | 1 |
| 6 | | 1031781-NLA | NLA - Handle, Pull/ Lock, Black - Left | 1 | 1 |
| 7 | | 1026103 | Washer, Nylon (1/4 x 1/2 x 1/32") | 1 | 3 |
| 8 | | 1102133 | Shoe, Wheel Lock | 1 | 1 |
| 9 | | 1030949 | Screw, Hex Head (1/4-20 x 1-1/2") | 1 | 1 |
| 10 | | 1028687 | Screw, Hex Head (1/4-28 x 3/4") | 1 | 2 |
| 11 | | 1021406 | Screw, Hex Head (1/4-20 x 1-1/4") | 1 | 1 |
| 12 | | 1102132-NLA | NLA - Link, Black | 1 | 1 |
| 13 | | 1025765 | Locknut (1/4-28) | 1 | 1 |
| 14 | | 1021402 | Bolt, Carriage (1/4-20 x 1-1/4") | 1 | 2 |
| 15 | | 1021403 | Nut, Hex Flang (1/4-20) | 1 | 1 |
| 16 | B | 1017677 | Kit, Hardware, Wheel Lock (Pair) | 1 | 1 |
| | | | Bolt, Carriage (1/4-20 x 1-1/4") | 1 | 2 |
| | | | Nut, Hex Flang (1/4-20) | 1 | 2 |
| 17 | E,H,I | 1067279 | Kit, Wheel Lock Shoe Spacer | 1 | 1 |
| 18 | | | Spacer, Wheel Lock Shoe (2-7/16") | 1 | 1 |
| 19 | | | Screw, Set Socket Cup Point (#8-32 x 3/16") | 1 | 2 |
| 17 | F,H,I | 1048656 | Kit, Wheel Lock Shoe Spacer | 1 | 1 |
| 18 | | | Spacer, Wheel Lock Shoe (1-45/64") | 1 | 1 |
| 19 | | | Screw, Set Socket Cup Point (#8-32 x 3/16") | 1 | 2 |
| 17 | I,G | 1037421 | Kit, Wheel Lock Shoe Spacer, 20" Rear Wheels (Pair) | 1 | 1 |
| 18 | | | Spacer, Wheel Lock Shoe (2-63/64") | 1 | 2 |
| 19 | | | Screw, Set Socket Cup Point (#8-32 x 3/16") | 1 | 4 |
| | C,D | 1058899 | Wheel Lock Extension Handle Assembly, Black (6") | 1 | 1 |
| | D | 00078X021 | Instruction Sheet, Wheel Lock | 1 | 1 |

NOTE: A - Includes Items 2-13.
B - Includes Items 14 and 15
C - Includes: 1 each Extension Handle and Rubber Tip
D - Not shown.
E - Required for chairs with 22" or 24" rear wheels with an amputee attachment.
F - Required for chairs with 22" rear wheels without an amputee attachment.
G - Required for chairs with 20" rear wheels. Shoe spacer is used with or without an amputee attachment
H - Kit quantity covers one side only.
I - Includes items 18 and 19